

Oiko Pro

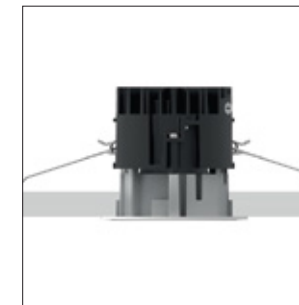
Architectural



INSPIRATION

SIMPLY PROFESSIONAL

Simplicity is the secret of OIKO PRO. Its clever design makes it easy to use in all conditions, impeccable in its performance and transversal to any application.



THE POWER OF COMPACTNESS

More than 1000 lumens delivered from a super compact downlight, with the best possible quality of light, in a size suitable for almost any kind of ceiling. That's what the OIKO PRO is designed for, offering the perfect solution for each project among the great variety of its available configurations.

LIGHT WITHOUT COMPROMISES

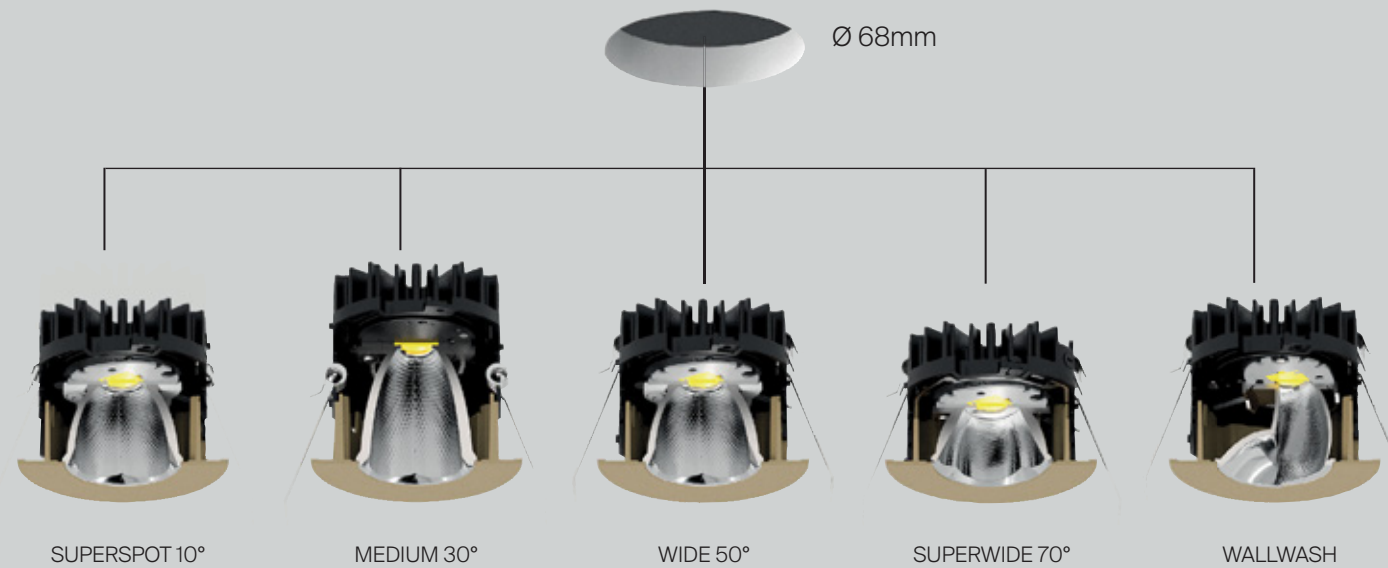
The OIKO PRO's appearance is minimalistic, consistent among all the available shapes and thus disappearing in the architecture: the only thing you will notice is its perfect light emission.



OIKO PRO

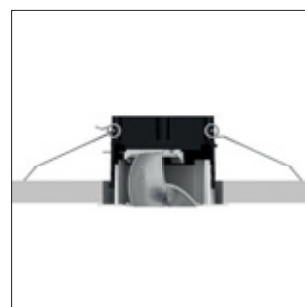
ONE SIZE – INFINITE APPLICATIONS

Whether the choice is a trimless installation, completely flush to the ceiling, or the recessed version – the OIKO PRO offers the ideal integration into the ceiling, remaining minimal and discrete, to offer the perfect light in the simplest way.



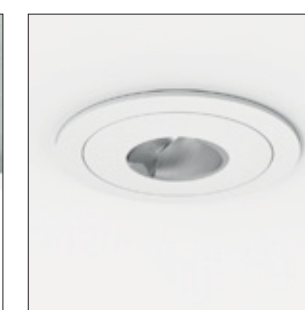
ALWAYS INTEGRATED

Whether the choice is a trimless installation, completely flush to the ceiling, or the recessed version – the OIKO PRO offers the ideal integration into the ceiling, remaining minimal and discrete, to offer the perfect light in the simplest way.



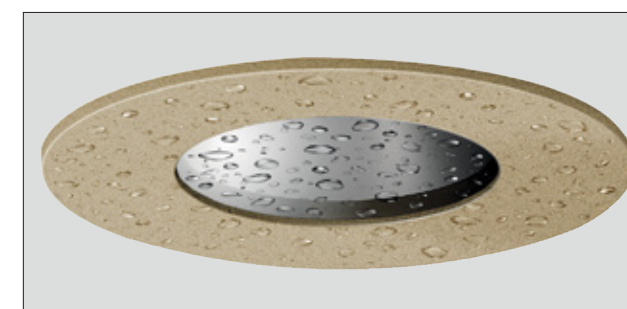
CONCRETE CEILING

OIKO PRO is also available in a special installation variant for concrete ceilings. The additional outer ring, necessary to cover the standard concrete box hole, can be ordered in one of the 25 PROLICHT colors.



A SOLUTION FOR EVERY ENVIRONMENT

All versions of the OIKO PRO, including the Wallwash optics and the Tunable White version, are also available in an IP54 adaptation, suitable for installations in wet zones.



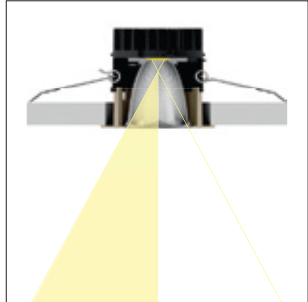




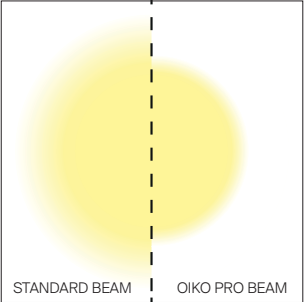
STATE-OF-THE-ART REFLECTOR TECHNOLOGY

The most advanced Bartenbach reflectors used in the OIKO PRO offer the purest beam angles. The result is complete light control without any secondary light beams and perfect light distribution even for the Tunable White LED source.

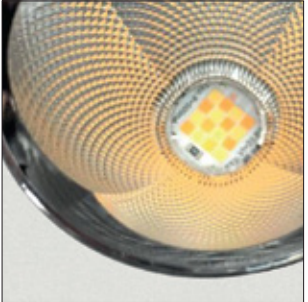
LOW UGR - HIGH CUT-OFF



FOCUSED BEAM CONTROL

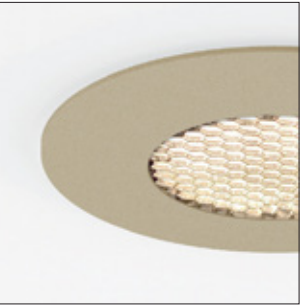


HIGH-PRECISION REFLECTOR



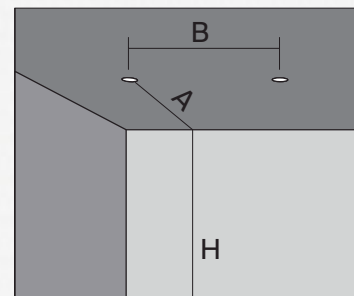
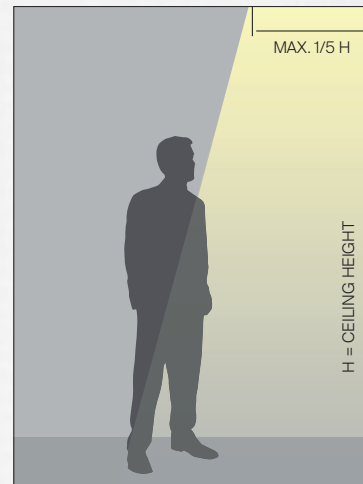
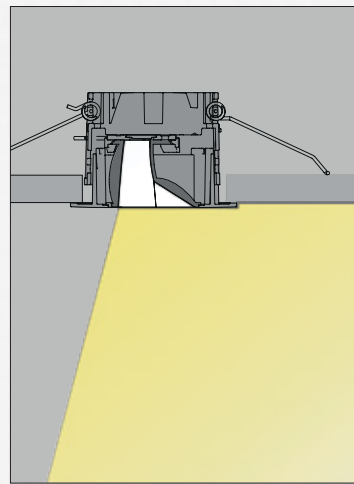
EVERYTHING UNDER CONTROL

For the total control and maximum personalization of the optic, each module can be equipped with an elliptical or spread lens, or with a honeycomb filter.



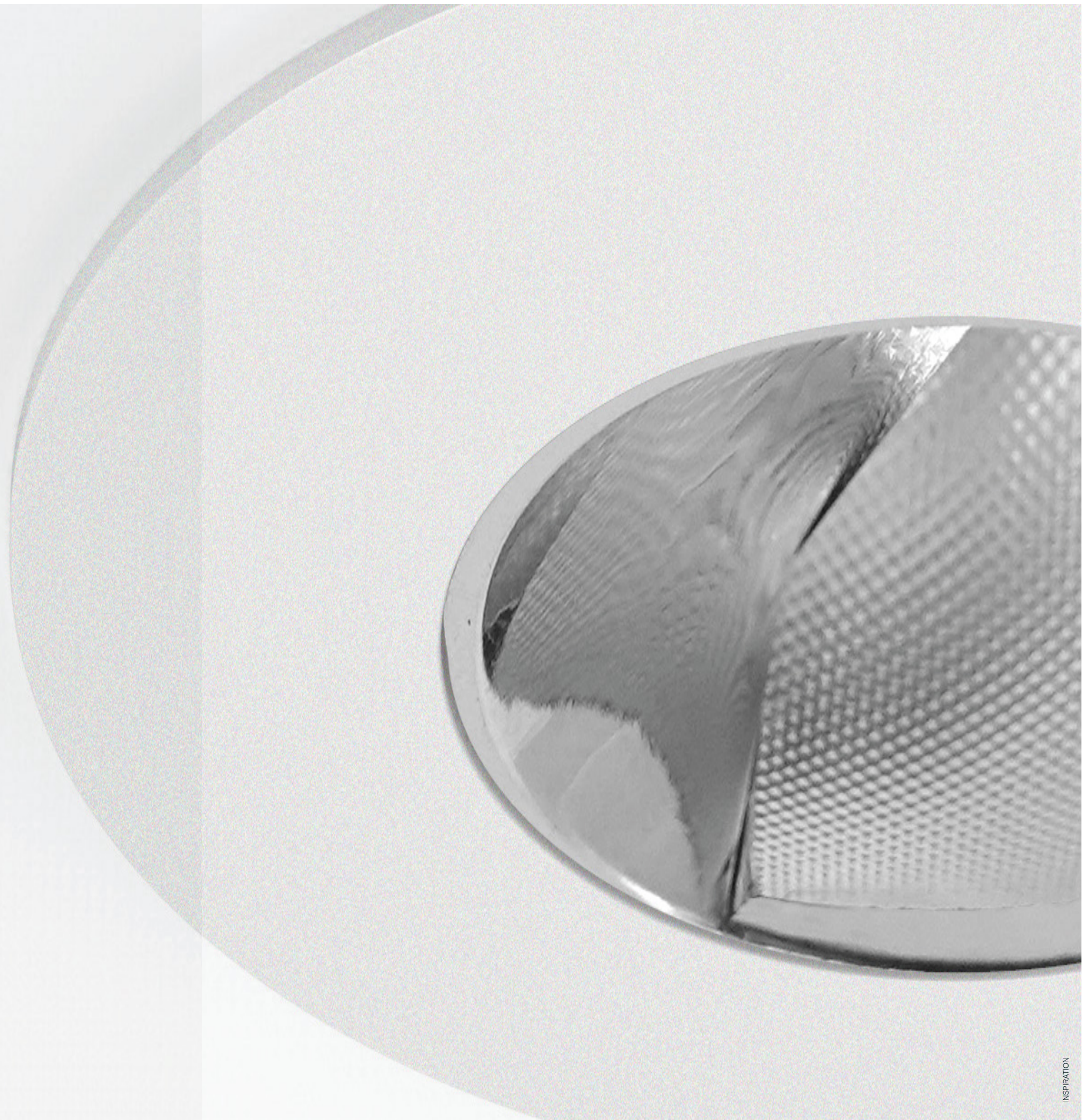
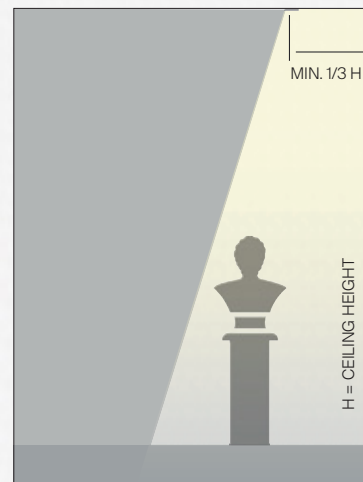
DUAL WALLWASH FUNCTION

The OIKO PRO features a unique double-function wallwash reflector, capable of perfectly illuminating a vertical surface while serving as a downlight at the same time.

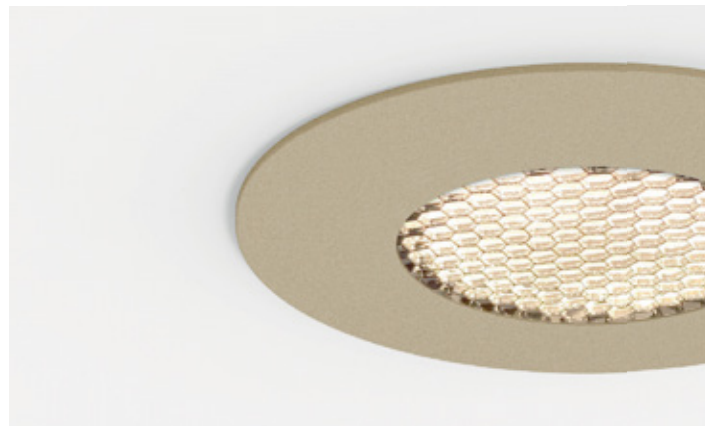
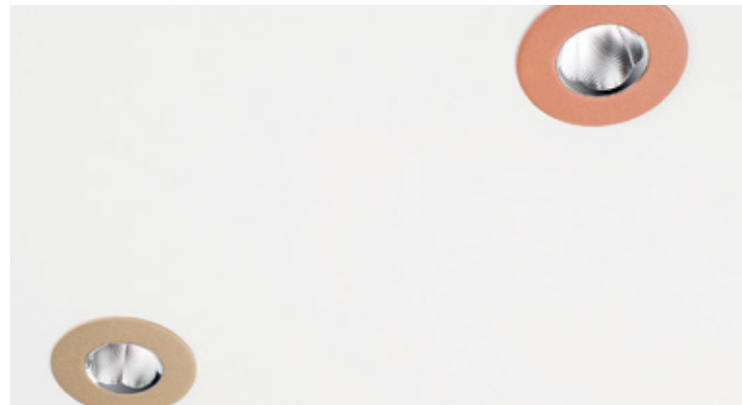
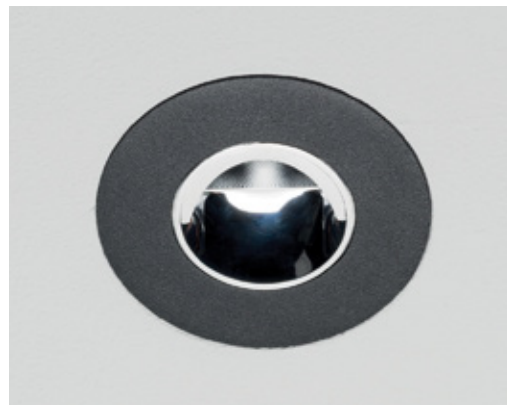
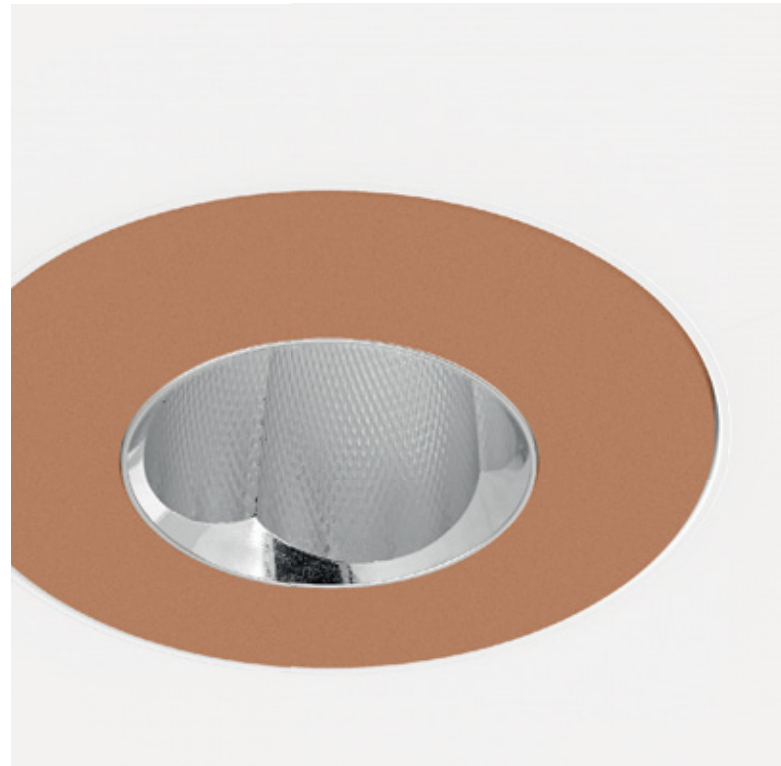


H	A	B
2.3	0.46-0.77m	0.70-1.15m
2.5	0.50-0.85m	0.70-1.25m
2.7	0.55-0.90m	0.80-1.35m
3.0	0.60-1.00m	0.90-1.50m

RECOMMENDED WALLWASH DISTANCES







COLOR

◆ FRAME ▲ CONCRETE FRAME

					RA_Classic or any other special color on request			

SHAPE

∅ DIAMETER SPOT | mm

<hr/>	<hr/>
∅ 74	∅ 95

OPTICS

CCT COLOR TEMPERATURE

<hr/>	2700 K
<hr/>	3000 K
<hr/>	3500 K
<hr/>	4000 K
<hr/>	TUNABLE WHITE: 2700 - 6500 K

BEAM ANGLES

<hr/>	30° 50° 70° RMJ REFLECTORS
<hr/>	10° RMJ REFLECTOR
<hr/>	ASYMMETRIC RMJ REFLECTOR

CONTROL

<hr/>	STANDARD ON OFF
<hr/>	0-10V DIM
<hr/>	PUSH DIM
<hr/>	PHASE CUT

FEATURES

⊗ LENS PACK

<hr/>	SPREAD LENS LINEAR SPREAD LENS HONEYCOMB
-------	--

ON REQUEST

📞 ADDITIONAL OPTIONS

<hr/>	SPECIAL COLOR TEMPERATURE
<hr/>	SPECIAL CONTROL OPTIONS
<hr/>	SPECIAL BEAM ANGLES
<hr/>	SPECIAL LED

ZANEEN

This product catalog has been provided by Zaneen.
Contact your local representative, zteam@zaneen.com or 1-800.388.3382