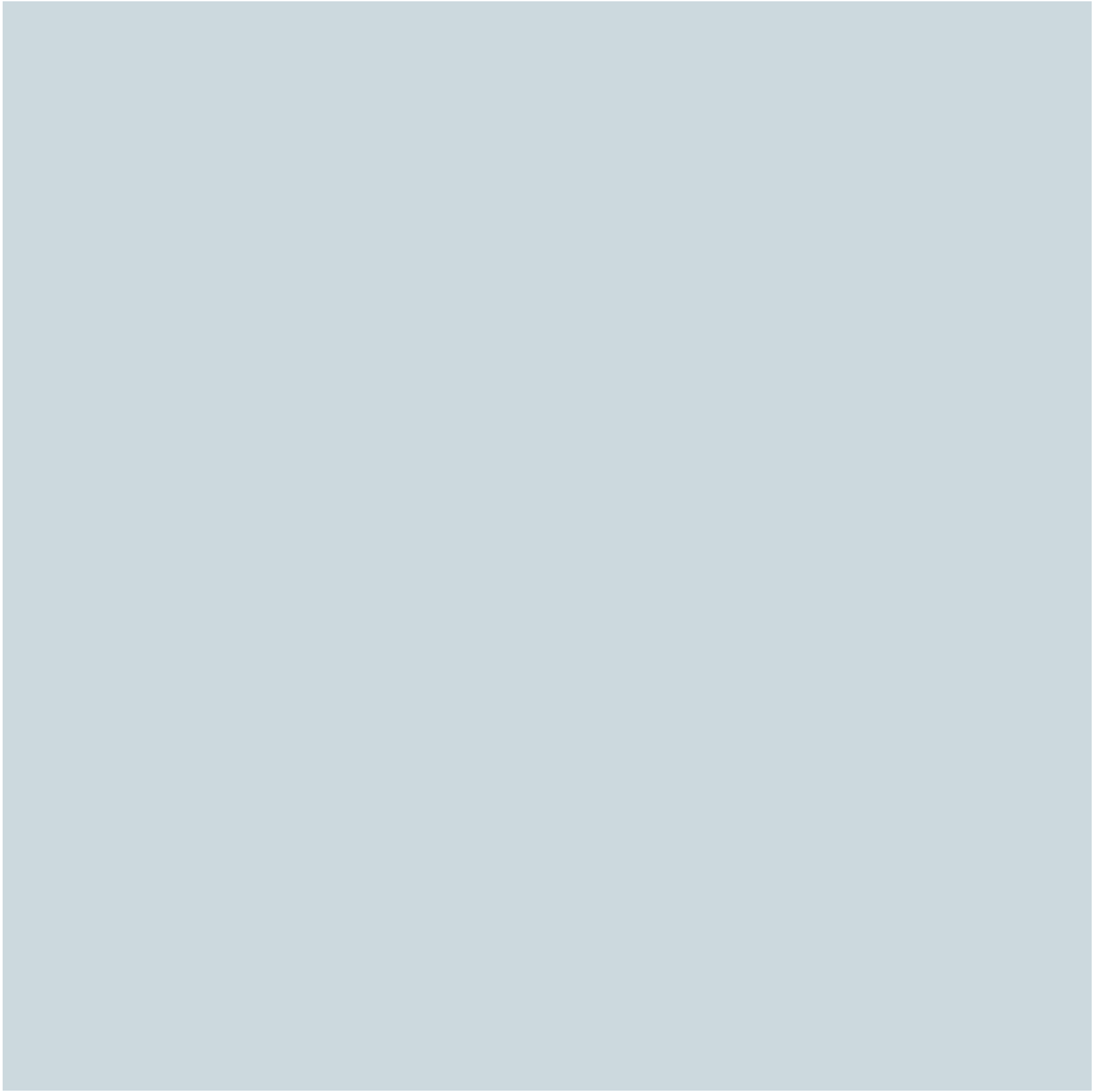


# Sign Drum

Architectural





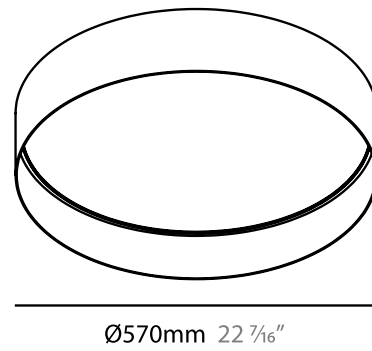
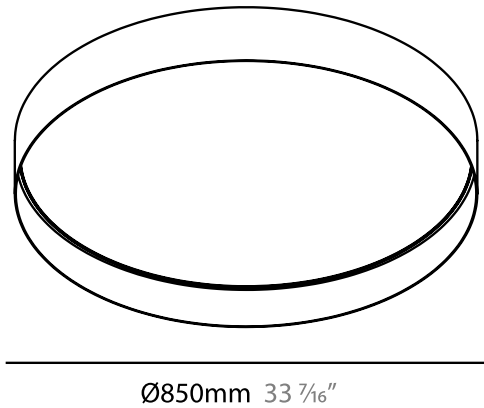
## Product Overview

Sign Drum is the epitome of modern sophistication, seamlessly merging timeless design with advanced lighting technology. Featuring a variety of color finish combinations, like a luxurious painted gold interior contrasted with a black or white exterior, or a sleek all white or all black finish for a refined aesthetic. This collection offers a striking visual appeal with its classic shape combined with high-output performance, ensuring optimal illumination without compromising style.

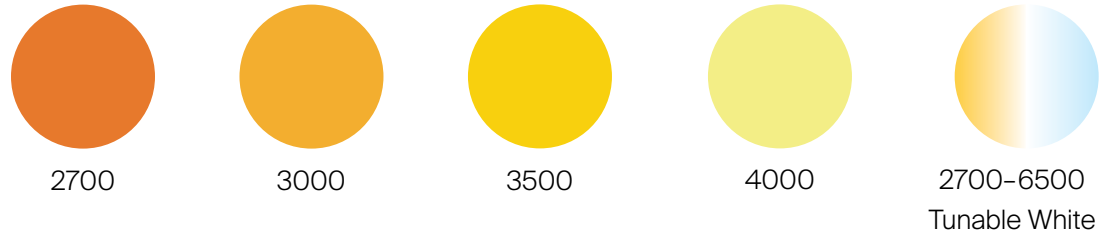
Available in surface and suspension models, and offered in two sizes, Sign Drum is designed for versatility. The new Tunable White color temperature option adds flexibility, making it adaptable to various lighting needs. Ideal for a variety of application settings, Sign Drum delivers precise, controlled light while elevating the ambiance of any environment.

# Technical Information

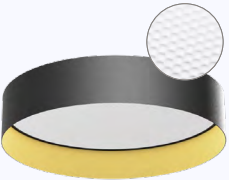
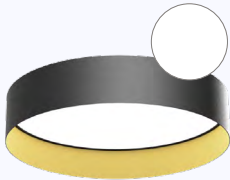
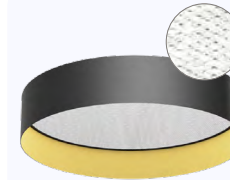
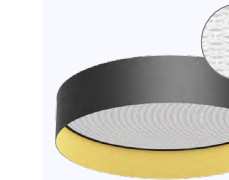
- Sizes:



- Color temperatures (k) :



- Choose from four unique diffuser styles:

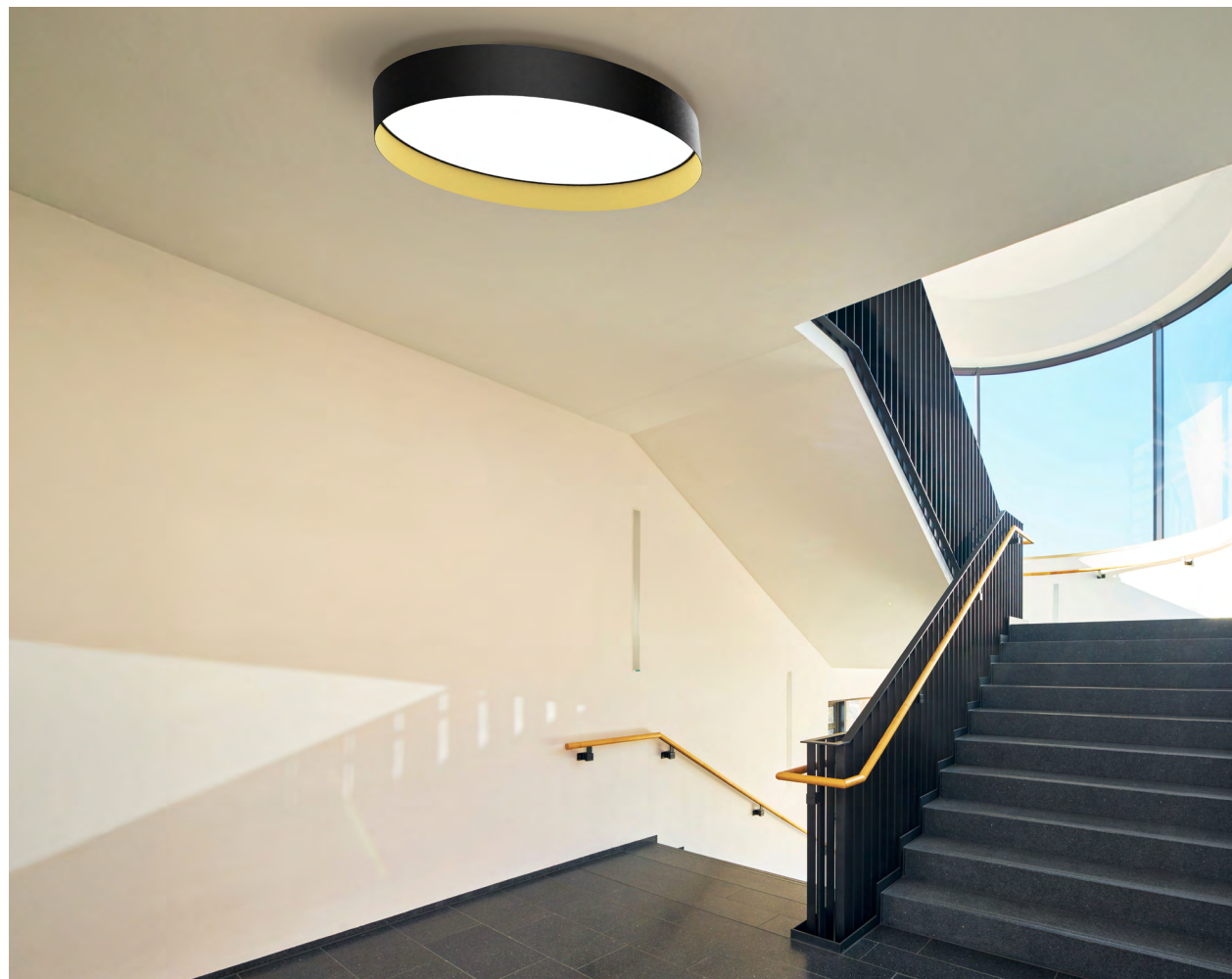
			
<b>MICROPRISM</b> Delivers a bright, glare-free light with an optimum UGR	<b>OPAL</b> Ensures enhanced light transmission and perfect illumination	<b>SPARKLING SECRET</b> Creates a sparkling effect with exceptional light transmission	<b>VINTAGE INDUSTRIAL</b> A honeycomb prismatic design for a warm, inviting glow

- Direct/indirect lighting



# Available Finishes

Sign Drum offers a selection of color finishes that embody a modern yet timeless aesthetic. Choose between the bold contrast of a luxurious painted gold interior paired with a sleek black or white exterior, or pure black or white for a refined design. These carefully curated finishes add a touch of elegance and sophistication, ensuring the fixture seamlessly integrates into any contemporary environment while making a bold design statement.





## Best applications

Sign Drum's adaptability shines in office settings, where the Tunable White color temperature option provides the perfect balance of light throughout the day, promoting productivity and comfort.



Hospitality venues benefit from its striking visual appeal and controlled light emission, creating welcoming atmospheres in lobbies, dining areas, and guest rooms.





Medical facilities can utilize Sign Drum's precision lighting and soothing design to foster calm, well-lit spaces.



For residential spaces, Sign Drum offers a sophisticated touch that elevates living rooms, dining areas, and contemporary halls.



# ZANEEN

This product catalog has been provided by Zaneen.  
Contact your local representative, [zteam@zaneen.com](mailto:zteam@zaneen.com) or 1-800.388.3382