

Ranger 30 & Slash

Exterior

Cangini & Tucci

Cini & Nils

Prolicht

Letroh

Panzeri

Platek

Ole

Side

UnoNoveSette

Ivela

Icone

Linea Zero

Milan

Quasar

Tunto

Knickboker

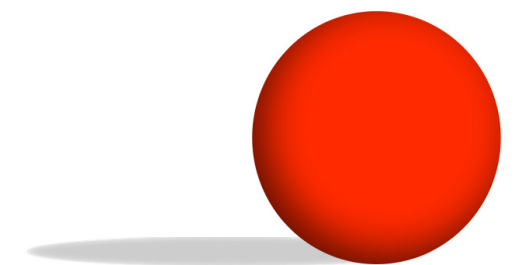
Studio Zaneen

Fambuena

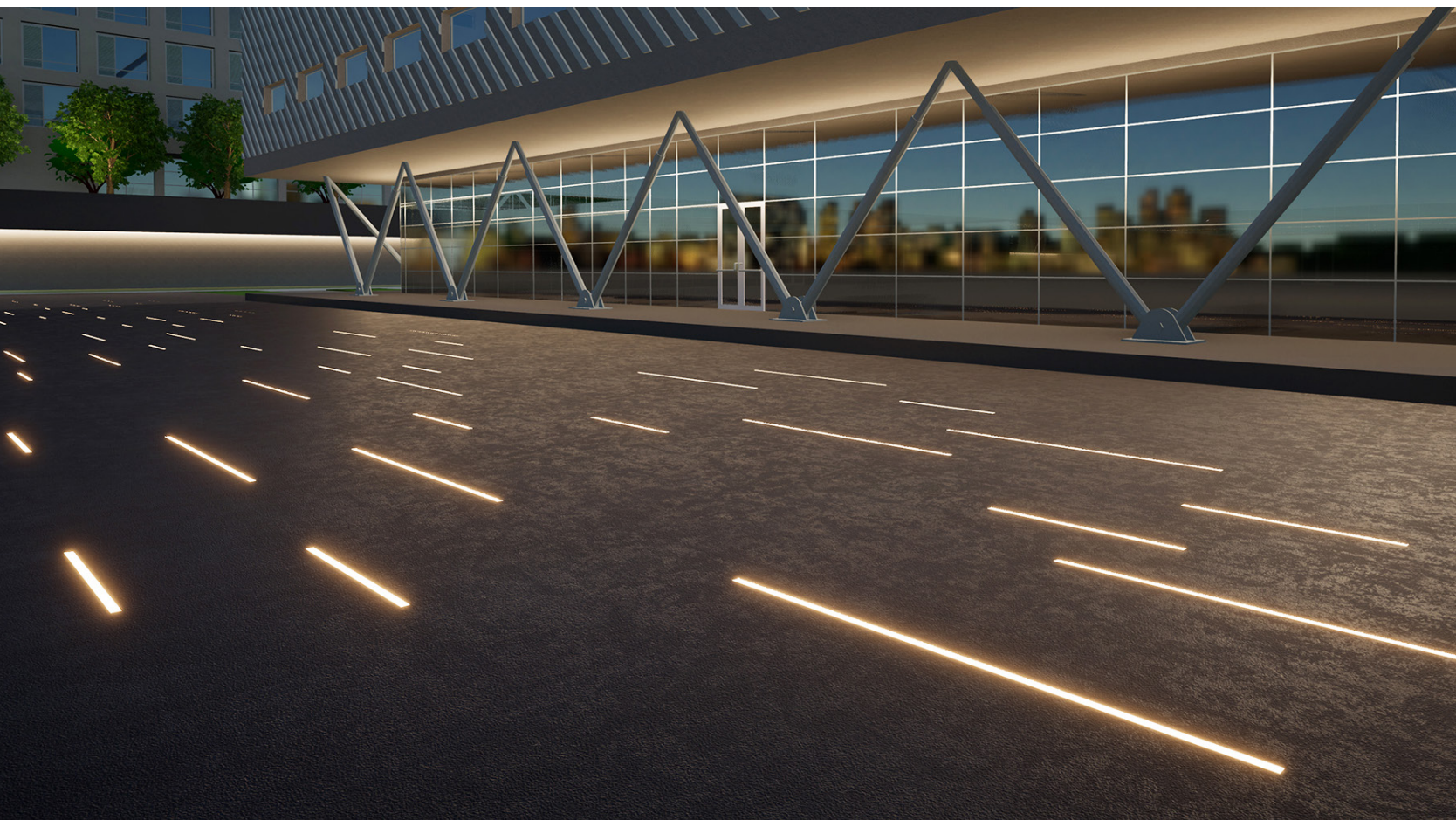
Ranger 30

IP 67 rated in-grade, drive over, recessed linear luminaire designed to allow multiple units to be placed end-to-end to produce a continuous illumination.

This dedicated plug and play cable system caters to an easy, fast and safe installation.

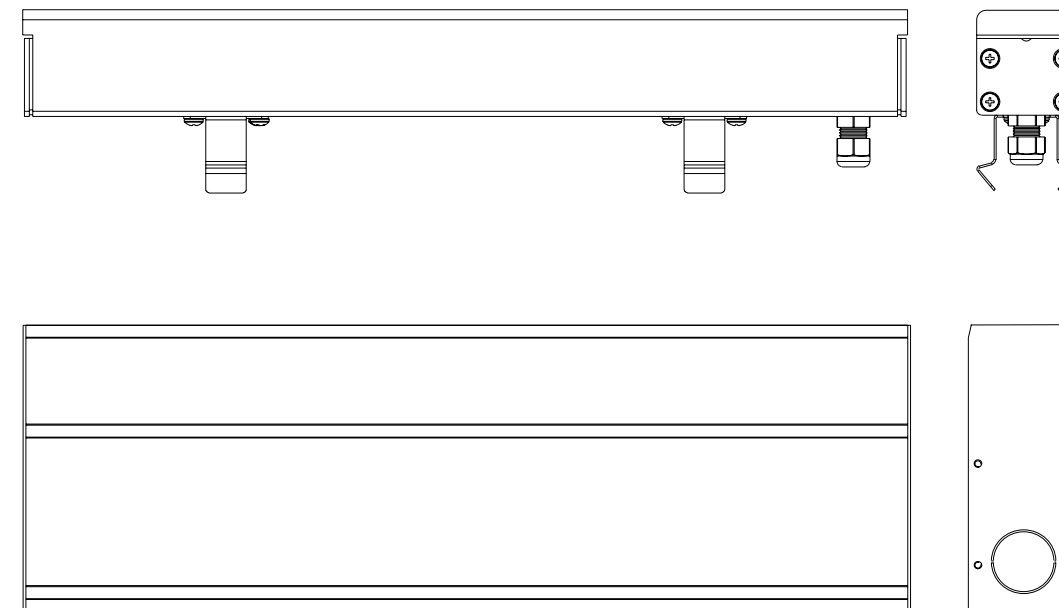






Bring exterior lighting to the next level and create value in every surface with continuous lines of light.

One profile with unlimited creative possibilities.

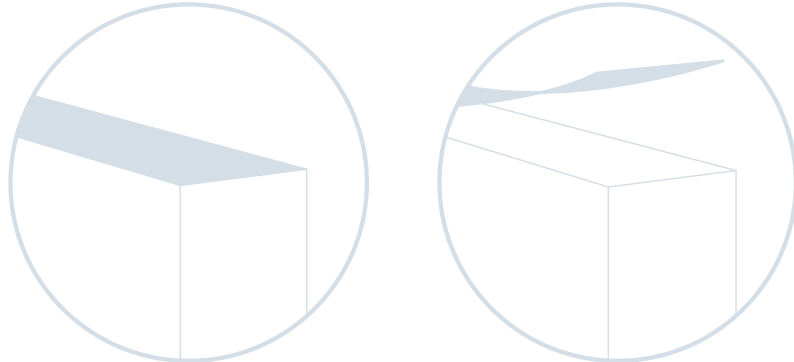
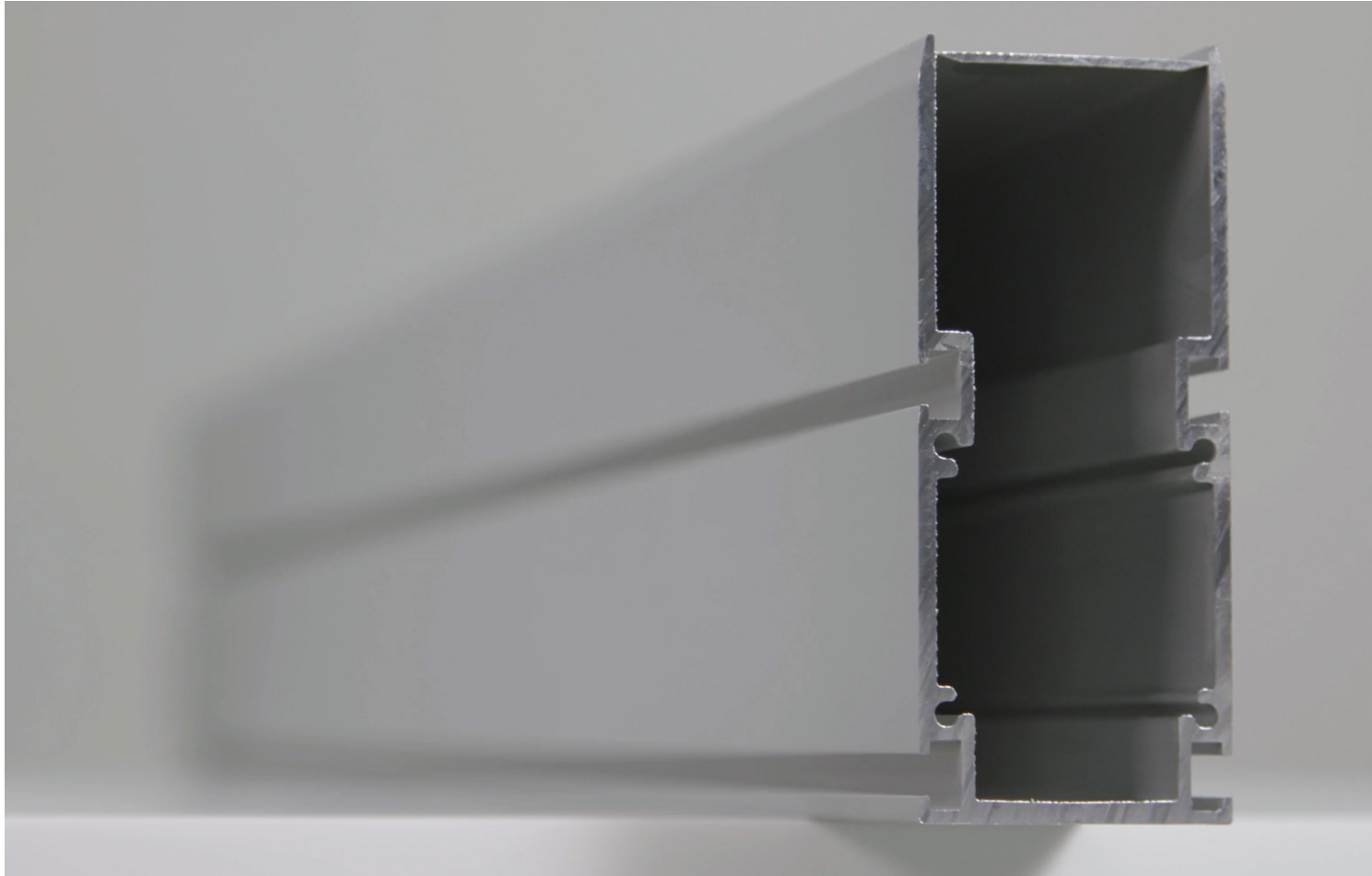


Ranger 30 is a flexible and durable IP67 in-ground drive-over recessed linear light, available in three different length options (510mm, 1010mm, 2010mm), and a slim width of only 30mm.

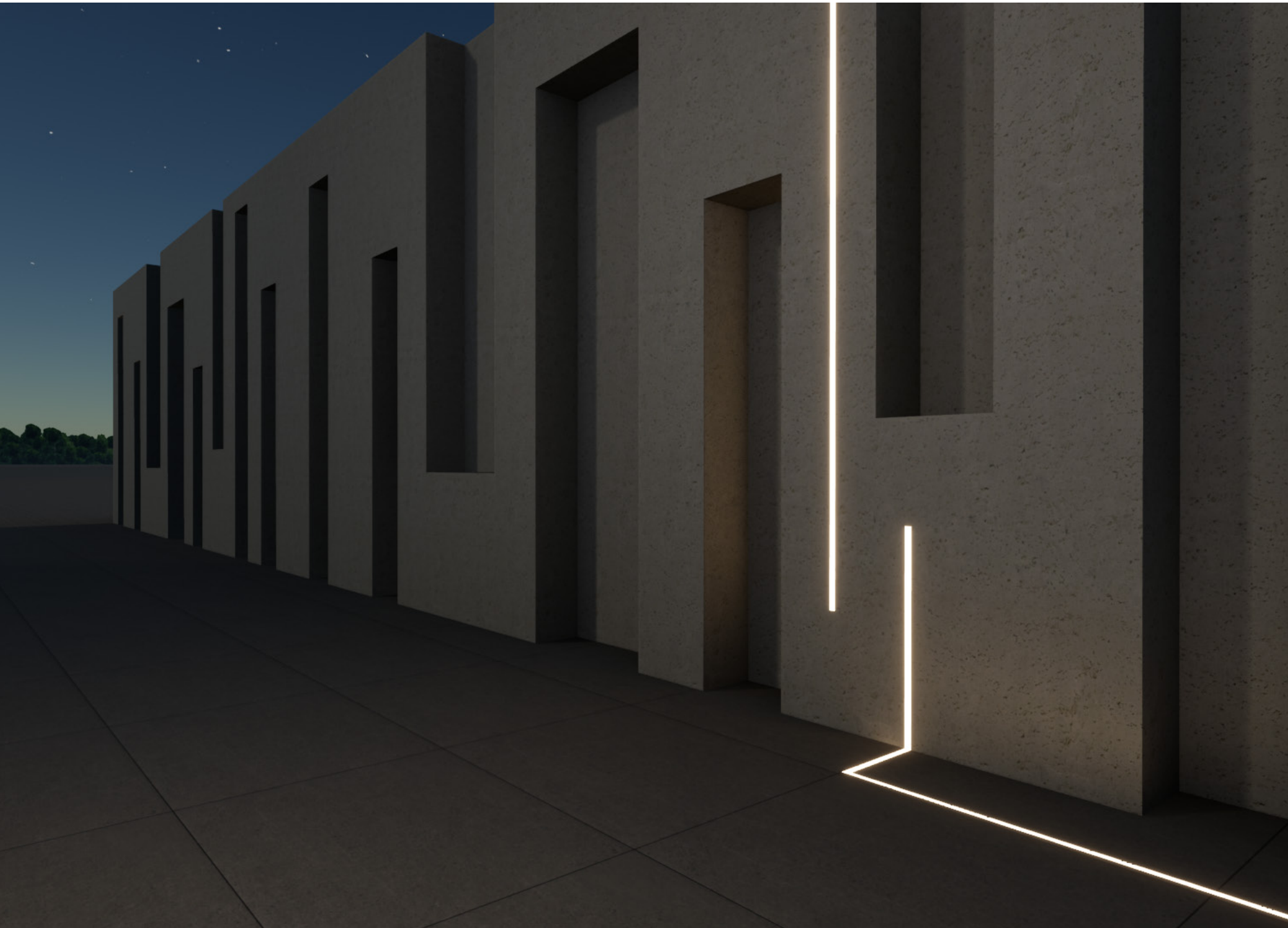
The latest generation LED engine developed in-house is available in 2200K, 2700K, 3000K, 4000K and RGBW.



Protection guaranteed in a fixture that excels in unique conditions.



The hard-anodized housing box is available for convenient ground installation. It has an aluminum cover to avoid deformation while installing and prevents dirt and concrete from coming inside.



Let the light shine
with no interruptions.



Ranger 30 is designed to allow multiple units to be placed end-to-end to produce continuous illumination without disruption.

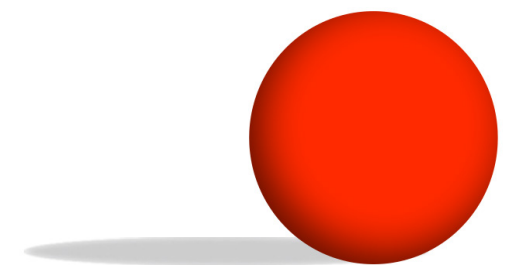


Experience no obstacles
with a wide range of
installation settings.



Slash

This wall washing and wall grazing linear luminaire has a choice of beam spreads, color temperatures options, and technical features to solve the most demanding exterior applications.

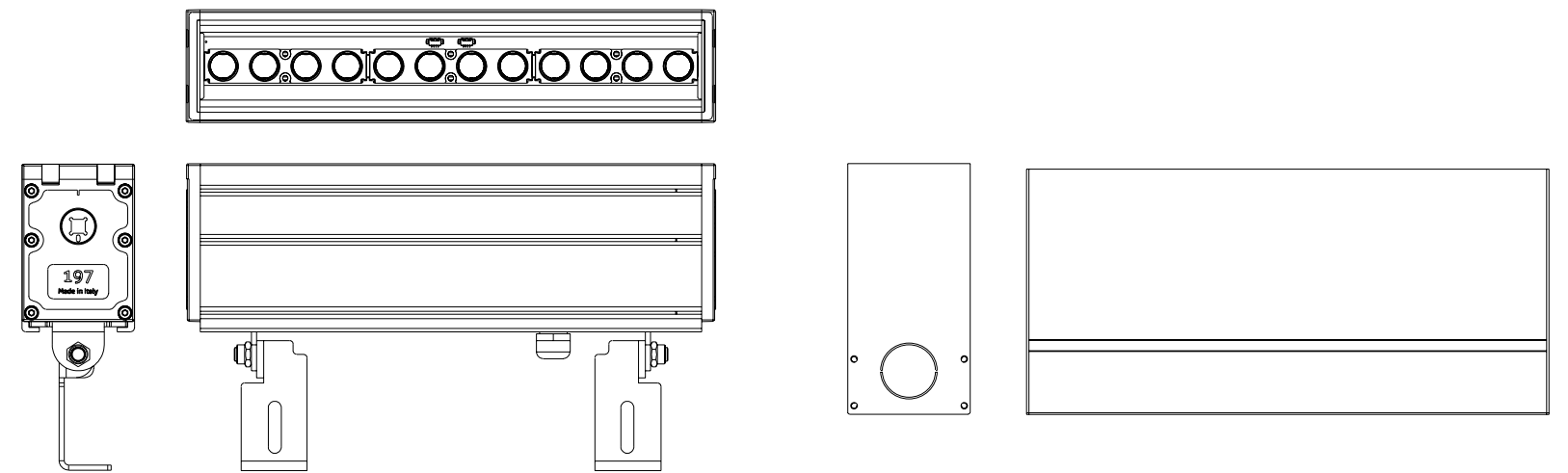






Fill the walls with light, and give facades an extra design element at night.

Finest technology and excellence in performance - all in a single product.



Slash is made of extruded high-quality anticorrosive hard-anodized aluminum, and is designed for outdoor in-ground or surface mounted applications. With a 6mm tempered glass (drive-over), 4 different lengths (305mm, 592mm, 879mm and 1166mm) and multiple color temperatures, Slash defines wallwash to perfection.

The internal optical system is tiltable +/- 20° from the outside of the fixture with a dedicated knob to minimize light pollution and optimize the light effect. This adjustment can be done without opening the fixture with no risk of breaking the IP67 seal.



Four different optics deliver elegant and precise illumination, from a smooth wall glazer to discreet beams.

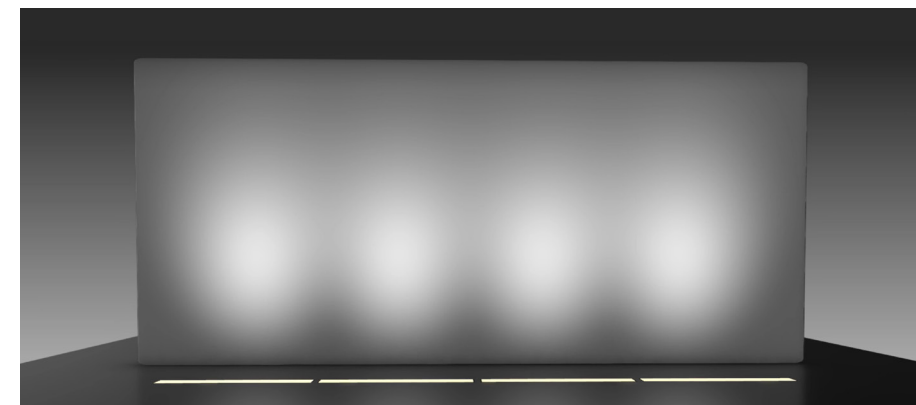
Glare control is further enhanced by the unique linear anti-glare louvre, which is especially designed for wall washing and grazing applications and provides exceptional uniformity.



10° Wall glazer



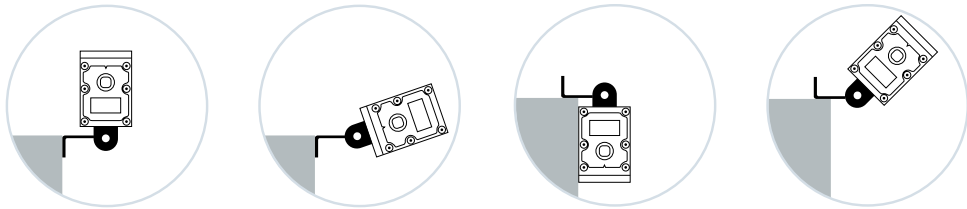
12° x 32° Wall washer



28° Projector



40° Projector



For the surface mount, the adjustable brackets provide a great range of ways to position the fixture according to your project needs.

Facade lighting made easy.







This product catalog has been provided by Zaneen.
Contact your local representative, zteam@zaneen.com or 1-800.388.3382