

Architectural

Acoustic

Lighting Technology and
Sound Quality to Deliver a
Powerful Solution.



ZANEEN

Acoustic Performance	3
Diffusion vs. Absorption	4
Benefits of Noise Reduction	5
Sustainability	6
Acoustic Lighting	7
Epiq Acoustic	8
Glorious Acoustic	9
Glorious Slim Acoustic	10
Hadi-Q Acoustic	11
Just Black Acoustic	12
Logiq Acoustic	13
Lullaby	14
Orbit Acoustic	15
Parallel Acoustic	16
Quantum Acoustic	17
Unity	18
Victory Acoustic	19
Acoustic Light Panels	20
Glorious Acoustic Light Panel	21
Quantum Acoustic Light Panel	22
Victory Acoustic Light Panel	23
Acoustic Panels	24
Glorious Acoustic Panel	25
Quantum Acoustic Panel	26
Victory Acoustic Panel	27
Customization	30

Acoustic Performance

Welcome to a world where excellent acoustics and lighting converge, creating an atmosphere of perfect harmony. Drawing from our expertise in lighting technology, we have seamlessly integrated innovative acoustic products to craft luminaires that exceed the highest standards in the professional lighting sector, catering to diverse spaces ranging from offices to hospitality venues.

Acoustic products emerge as a powerful solution that significantly enhances the ambiance of a room, all while maintaining an impeccable design. By skillfully harmonizing acoustic and lighting elements, you can create spaces that nurture both the body and mind, fostering a sense of tranquility and enabling individuals to thrive in their environments.

We offer ground-breaking products that set an unmatched standard in their category by blending cutting-edge technical performance with unconventional design elements. The perfect acoustic solution empowers the space to be truly dominated by what matters most – your thoughts and ideas.



Diffusion vs. Absorption

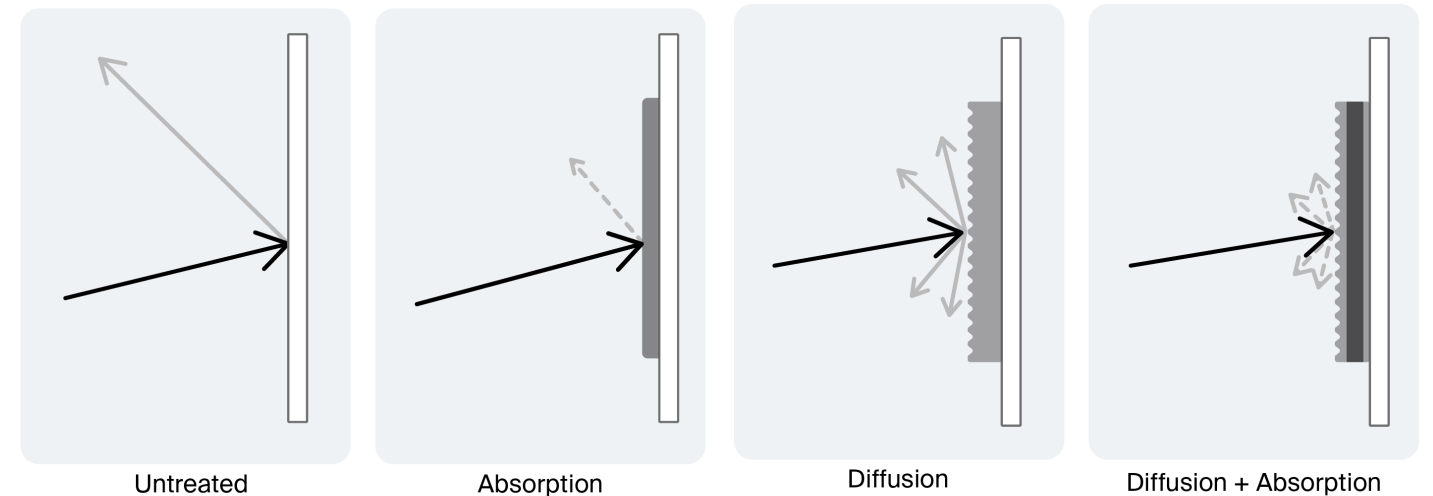


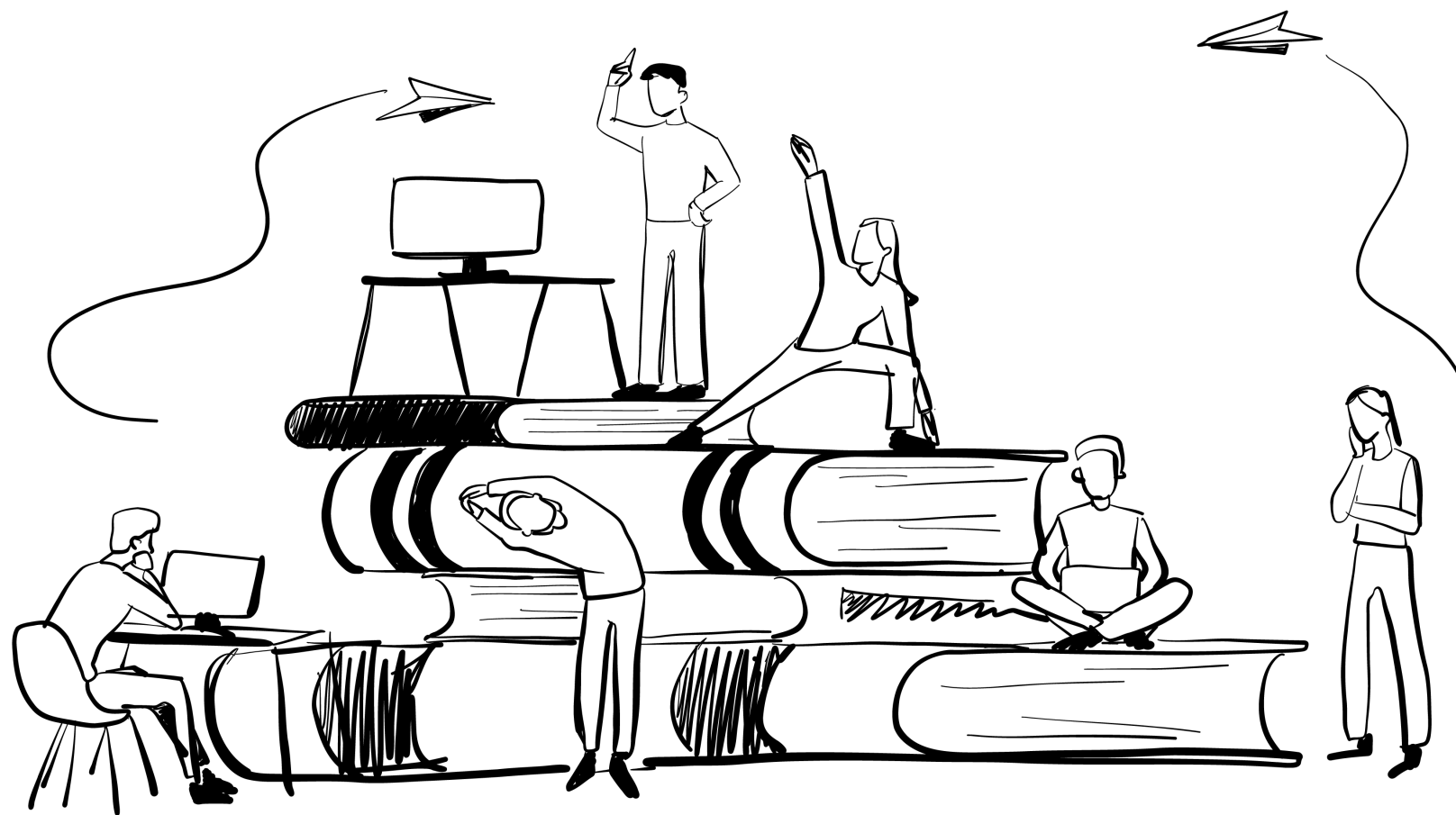
Understand how the two work together

When a sound wave encounters a surface within a room, it undergoes two possible outcomes: diffusion and absorption. A portion of the sound is reflected and returned to the room, while the rest is absorbed by the surface.

When sound waves encounter surfaces that don't absorb them, they travel in multiple directions, culminating in unwelcome noise. By strategically placing acoustic properties above noise sources, we can effectively mitigate sound diffusion, creating a more serene and conducive environment.

A higher absorption rate indicates the material's superior ability to improve the acoustics in the room, as it efficiently absorbs the sound energy, reducing reflections and creating a more pleasant and balanced auditory environment.





Benefits of Noise Reduction

Tap into greater potential with the right tools

Enhancing the atmosphere of a room is paramount for fostering successful work, enjoyment, and social interactions. Extensive research reveals that a tranquil environment, especially within a professional setting, has a profound effect on boosting productivity and overall well-being. In certain settings, noise can be a significant distraction, leading to reduced concentration and productivity. Reducing background noise helps individuals maintain focus, leading to higher efficiency and better task performance.

To unlock the benefits, two essential elements come into play—optimal lighting conditions and a favorable acoustic atmosphere.



Sustainability with Acoustics

Initiate positive change and leave a lasting impact

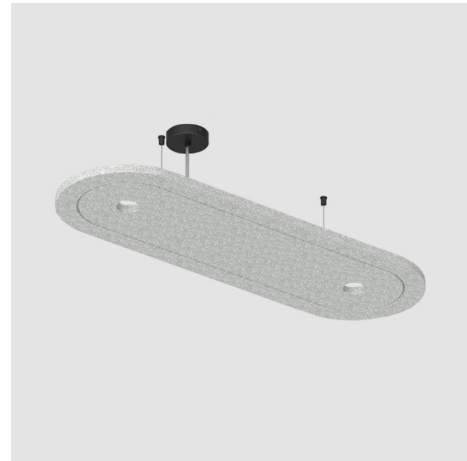
Contributing to a better planet is achievable through conscious decision-making and embracing sustainable initiatives. To bring about a much-needed change, incorporating sustainable indoor acoustic products can be a simple yet impactful step. Our acoustic panels are crafted from fibers sourced from recycled water bottles, providing both an eco-friendly and powerful solution to your acoustic needs.

Together, we can pave the way for a brighter future—one that reflects both our individual needs and our shared commitment to a greener and more environmentally conscious world.



Acoustic Lighting

Our collection of light fixtures thoughtfully enhanced with acoustic materials, offering a design feature that elevates visual appeal and improves sound quality.



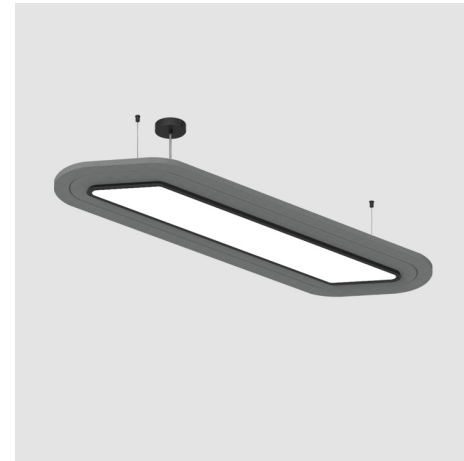
Epiq
Acoustic



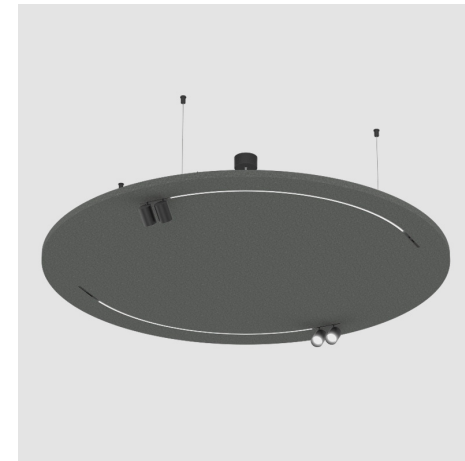
Glorious
Acoustic



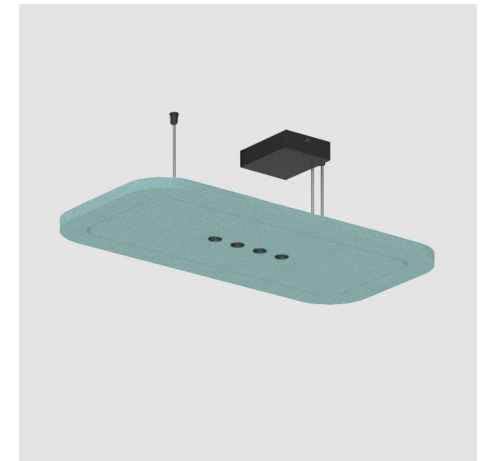
Glorious Slim
Acoustic



Hadi-Q
Acoustic



Just Black
Acoustic



Logiq
Acoustic



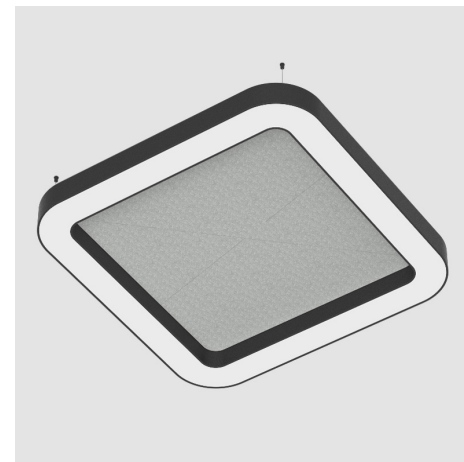
Lullaby



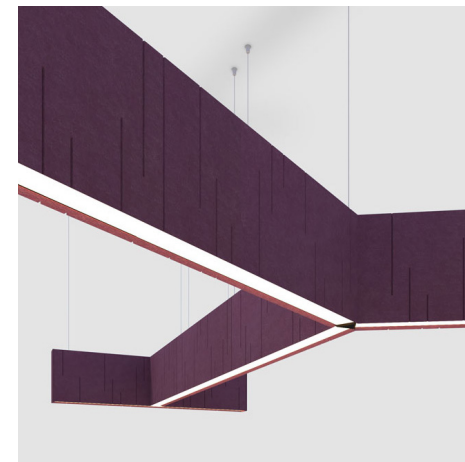
Orbit
Acoustic



Parallel
Acoustic



Quantum
Acoustic



Unity



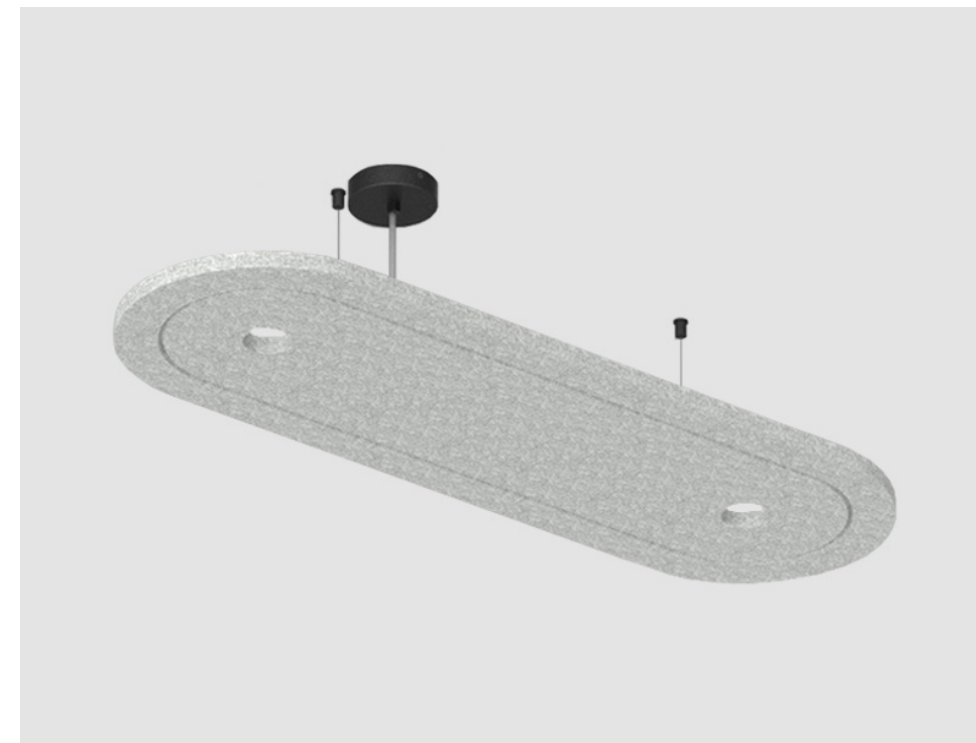
Victory
Acoustic



Epiq Acoustic

Freedom of choice

Epiq is a suspension solution offering more than meets the eye. It's an acoustic panel that grants you the freedom to incorporate any downlight, including the Oiko Pro and Invader Compact. Its distinctive shape elegantly merges form and function, complemented by sustainable acoustic materials. Epiq delivers the option of powerful illumination and remarkable flexibility paired with effective sound absorption and diffusion, crafting an ideal atmosphere tailored to your preferences.



The Invader Compact downlight exemplifies minimal size with maximum output; featuring low fixture depth while maintaining high lumens.

Glorious Acoustic

Pop art meets acoustic function

Glorious Acoustic is an innovative acoustic lighting solution that elevates spaces to new heights with its captivating design. Crafted in a three-dimensional shape, Glorious Acoustic casts a remarkable and easily recognizable effect. The integrated acoustic panel establishes a perfect synergy between functionality and design, enhancing the acoustics and visual allure of a space.



Choosing an opal diffuser for even light distribution or a microprism diffuser with optimal glare control provides an additional option to tailor the luminaire to its destination.

Optional available LED boards can be installed on a recessed top-plate to allow indirect lighting.



Glorious Slim Acoustic

The best just got better

The latest evolution of a beloved lighting solution, Glorious Slim Acoustic builds upon the allure of oversized and geometric Glorious lights. This new version adds a touch of dramatic flair while incorporating acoustic panels to elevate the range. Experience the ideal blend of aesthetics and functionality as Glorious Slim Acoustic not only enhances the visual appeal but also optimizes room acoustics to meet your fundamental needs.

In combination with a white base plate, the white internal reflector creates a perfect mixing chamber. This creates a homogeneous light pattern without individually visible LED dots. The GLORIOUS pendant luminaires are configurable in one of the 25+5 PROLICHT colours and as an additional highlight can also be individually customized by engravings (eg texts or logos).



The oversized geometric Glorious Slim Acoustic is offered with Direct and Indirect lighting.





Thanks to its outstanding efficiency one single HADI can illuminate two working desks (according EN 12464), minimizing the power consumption for the desired lighting level. Its CRI > 90, combined with an URG < 19 and its perfectly homogeneous emitting surface make the HADI the ideal solution for comfortable office space.

Hadi-Q Acoustic

A comprehensive office solution

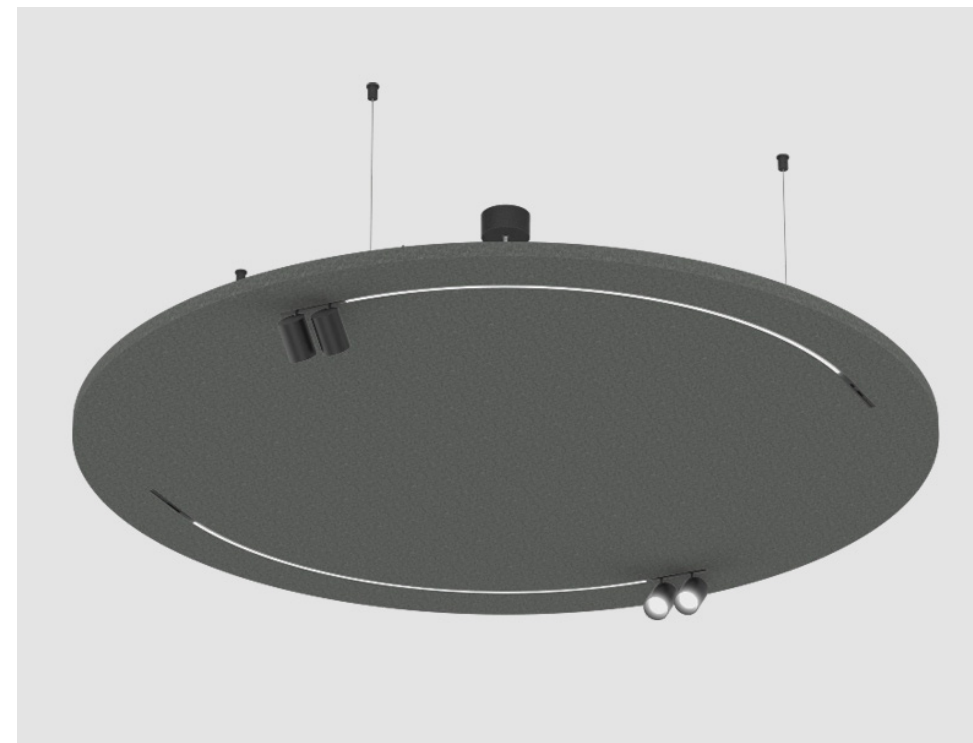
Hadi-Q doubles as a dynamic piece of art that seamlessly integrates sophisticated technology without compromising aesthetics. The diecast aluminum frame houses a highly efficient edge lighting engine, shielded by a multilayer prismatic sandwich diffuser, ensuring optimal light distribution across the workspace. Going beyond traditional lighting fixtures, Hadi-Q incorporates an acoustic panel surround, adding another layer of success to the equation.



Just Black Acoustic

On track for perfect light and sound

Just Black Acoustic is an innovative product that merges minimalist design with top-tier acoustic absorption. Featuring a groundbreaking track system within an acoustic panel, Just Black Acoustic offers the ability to tailor the product to your exact lighting needs. Available in round, rectangular, and square panels, each design comes with two lighting options: Just Black Imagine for precise directional lighting and Just Black Flexline for soft, ambient illumination.



Possible to choose any track insert or customize the acoustic size to fit your design intents. Track opening is invisible, 5mm or less that 1/4" The 24V track is available with 0-10V dimming. The Flexline insert is compatible with the curve track. Most inserts can be mechanically locked in place.



Logiq Acoustic

Focusing the attention on important details

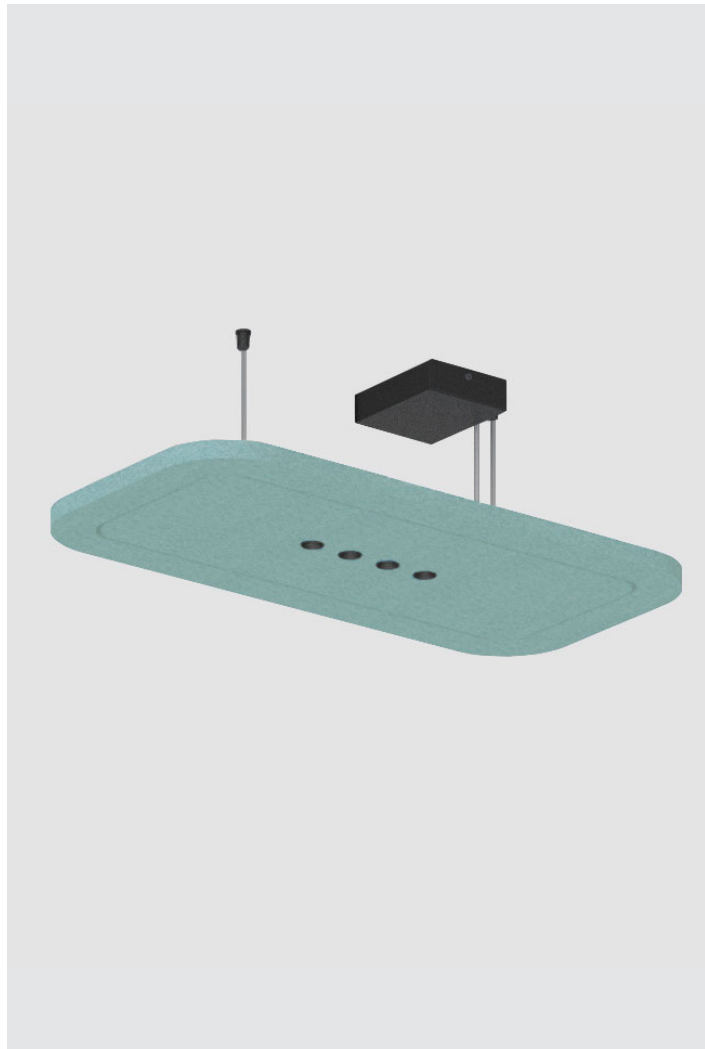
This innovative suspended acoustic lighting fixture blends illumination and optimal acoustics in one package. The high-tech lens utilized in Logiq ensures an almost invisible light source, allowing the fixture to have a non-intrusive approach. The perfect harmony of design and performance available with Logiq transforms your space into an oasis of productivity.



The deep reflector effectively passes the light past the cone without altering the light colour.

The integrated LFO lens, enables the lowest UGR ratings to be achieved, while ensuring a soft fade out of the light cone compared to a reflector. Perfect for residential and hospitality applications!

The Bartenbach LFO lenses provide a 34° or 58° beam angle and ensure a glare-free downlight without illuminating the luminaire's housing.





Lullaby Acoustic

Sound and light in perfect harmony

Lullaby is a captivating pendant luminaire that effortlessly combines acoustic performance with exceptional lighting. Choose from six distinct luminaires, available in three geometric shapes, to design a custom light sculpture or opt for pre-configured combinations. With 32 acoustic color options and advanced LED technology, Lullaby not only reduces noise but also enhances illumination. Its microfiber reflectors ensure focused, glare-free light, making it the ideal solution for any space seeking beauty and serenity.



Incorporating our special Rico Reflectors make this acoustic series a technical lighting solution. It achieves the highest efficiency with a unique glare-free reflector. UGR is less than 10. High performing acoustic material gives back to the world, made from 53 pet bottles / m squared (12mm thickness) and 88 pet bottles / meter squared (24mm thickness). The material is Cradle to Cradle Certified and qualifies for LEED v4 specification on VOC emissions in LEED Eq credit (low - emitting products).

Orbit Acoustic

A circular acoustic canvas

Similar to Epiq, Orbit is a perfectly rounded acoustic panel that offers the ultimate freedom to incorporate your choice of downlights, including the Oiko Pro and Invader Compact. Seamlessly merging acoustic sophistication with dynamic lighting, Orbit empowers you to craft captivating lighting scenes while enjoying effective sound absorption and diffusion. Create an ideal ambiance for work and leisure on your terms.



The Oiko Pro downlight utilizes advanced Bartenbach reflectors for precise beam angles, ensuring complete light control and perfect distribution.



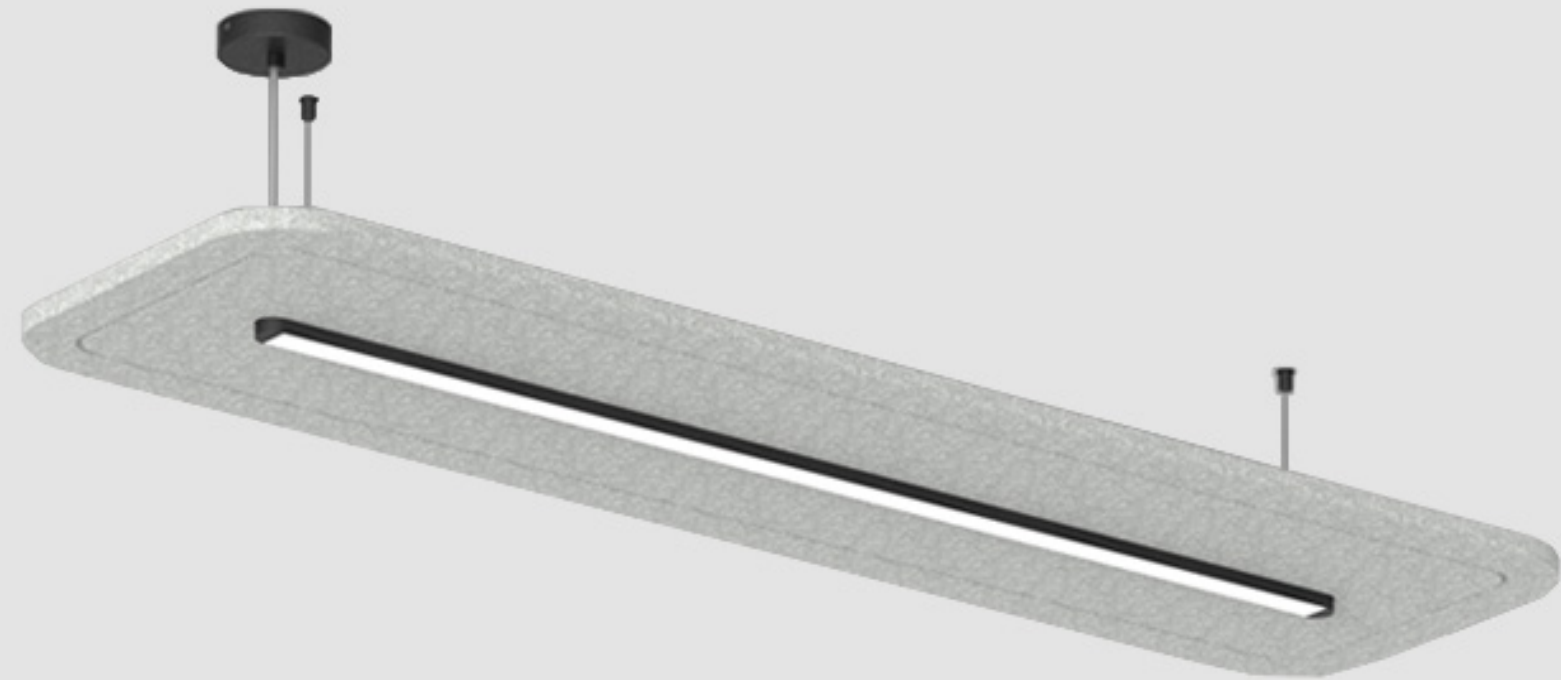
Parallel Acoustic

A concealed light source

With Parallel, precise illumination of workspaces is a breeze, thanks to its reflectors that allow for focused and directed light distribution. The recessed LED source cleverly conceals itself in the acoustic panel, creating an almost ethereal glow, while the diffuser sets below the acoustic frame to create an almost ethereal glow. Available in two thicknesses, 24mm and 12mm, and two size options, Parallel offers the flexibility to suit diverse spatial requirements.

Optimal above workplaces and at the same time a light that meets the highest demands for the professional sector.

Available in any colour temperature you can think of, the Parallel makes functional lighting a breeze in multiple project types.

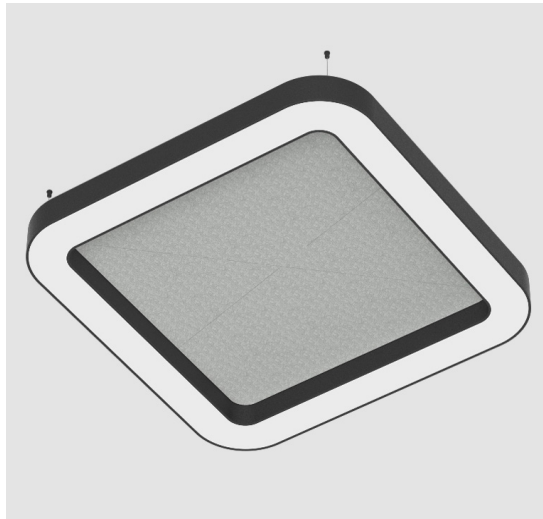


Quantum Acoustic

Acoustic innovation

Quantum Acoustic takes the renowned Quantum collection to the next level by integrating acoustic materials into its signature quadrilateral luminaires. The previously open interiors now house acoustic panels, creating a dynamic blend of form and function. This enhancement not only amplifies the fixture's visual appeal but also optimizes room acoustics.

The structure and tools to create any acoustic diameter you desire. High performing acoustic material gives back to the world, made from 53 pet bottles / m squared (12mm thickness) and 88 pet bottles / meter squared (24mm thickness). The material is Cradle to Cradle Certified and qualifies for LEED v4 specification on VOC emissions in LEED Eq credit (low -emitting products).



Internal reflector ensures high efficiency and uniform illumination. Multiple color temperature and diffuser options to improve glare control





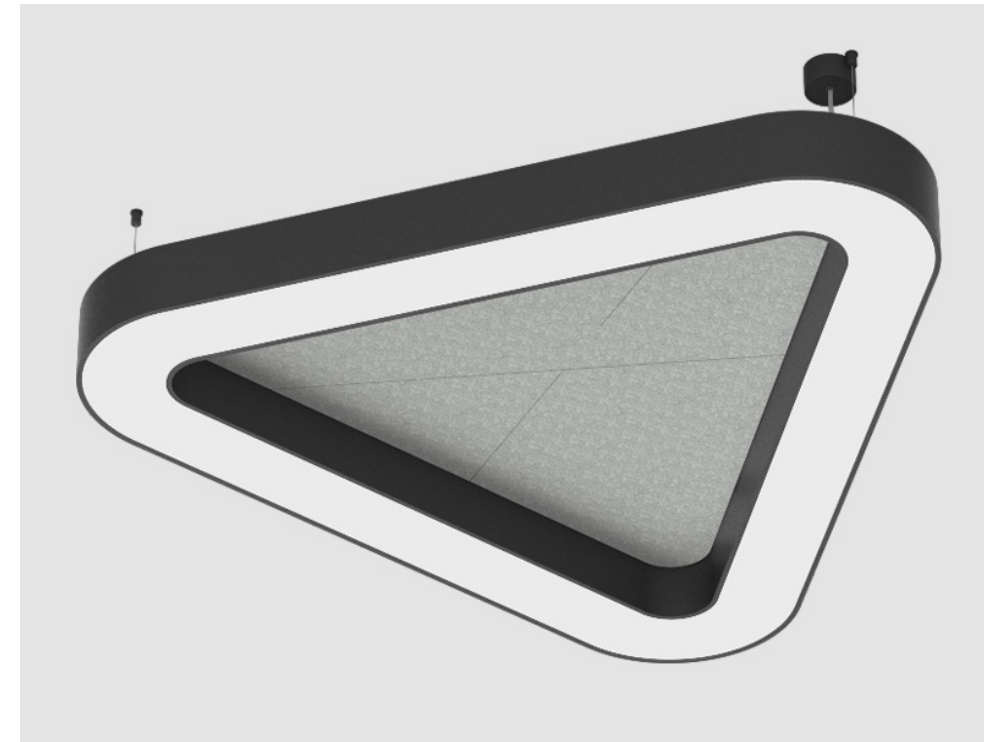
Unity

Acoustic design and modular shapes

Unity is a modular suspension system clad in sound-absorbing materials, designed for both functionality and aesthetic appeal. Its versatile design allows for configurations ranging from clusters and islands to seamless linear arrangements. Paired with high-quality lighting, Unity enhances any space with a blend of style and performance. With over 25 standard color options, it offers virtually limitless customization to complement any interior.



Unity offers various module types, including Y, X, T, L, and straight configuration pieces. It also provides a range of diffusers options tailored for different scenarios: Opal, for even light distribution; Microprism for glare control in high ceilings; Glare control for bright light without glare; Raster for focused light in demanding spaces like offices; Wallwash for a seamless horizontal beam; and Double asymmetric, which casts light in two directions.



The structure and tools to create any acoustic diameter you desire. High performing acoustic material gives back to the world, made from 53 pet bottles / m squared (12mm thickness) and 88 pet bottles / meter squared (24mm thickness). The material is Cradle to Cradle Certified and qualifies for LEED v4 specification on VOC emissions in LEED Eq credit (low -emitting products). Internal reflector ensures high efficiency and uniform illumination.

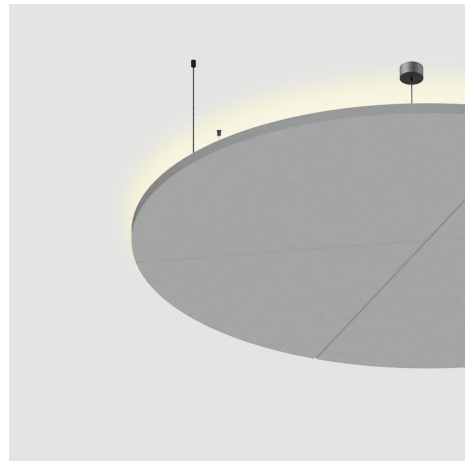
Victory Acoustic

Bold design with enhanced acoustic performance

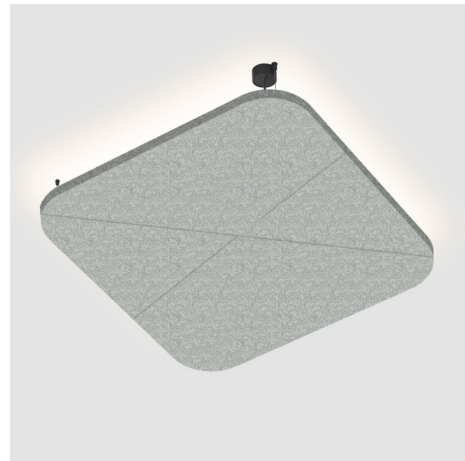
Victory Acoustic takes the iconic triangular shapes of the Victory collection and elevates them with integrated acoustic panels. The previously open interiors now feature sound-absorbing materials that improve room acoustics while maintaining a striking visual presence. Perfect for both form and function, Victory Acoustic is ideal for spaces that demand aesthetic impact along with noise control.

Acoustic Light Panels

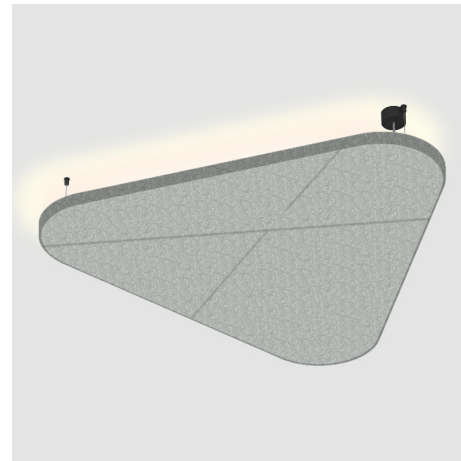
These acoustic light panels provide indirect lighting, creating a seamless ceiling appearance while unlocking new possibilities for lighting design and enhancing room acoustics.



**Glorious
Acoustic
Light Panel**



**Quantum
Acoustic
Light Panel**



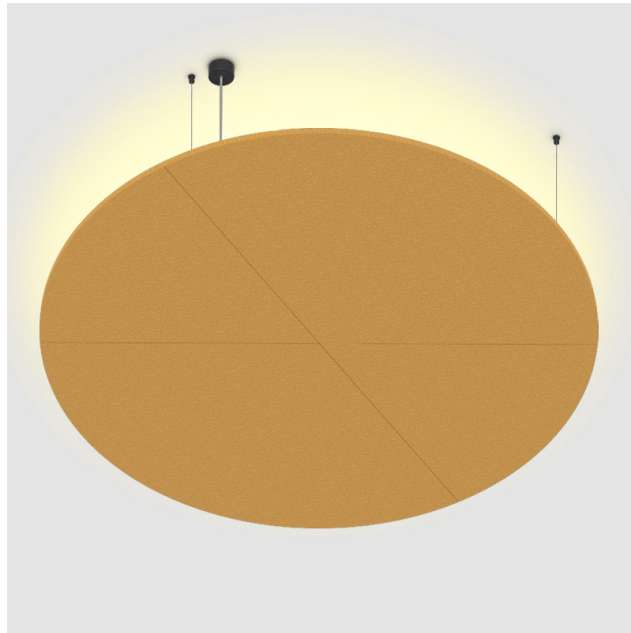
**Victory
Acoustic
Light Panel**



Glorious Acoustic Light Panel

Seamless lighting meets acoustic performance

Glorious Acoustic Light Panel expands the possibilities of the Glorious Acoustic collection, offering indirect lighting in the popular circular shape. These innovative panels deliver a seamless ceiling aesthetic while enhancing room acoustics, making them the ideal choice for spaces that demand both style and function. With 32 vibrant colors to choose from, Glorious Acoustic Light Panels create visually stunning environments while optimizing sound, perfect for modern design needs.



The structure and tools to create any acoustic diameter you desire. High performing acoustic material gives back to the world, made from 53 pet bottles / m squared (12mm thickness) and 88 pet bottles / meter squared (24mm thickness). The material is Cradle to Cradle Certified and qualifies for LEED v4 specification on VOC emissions in LEED Eq credit (low -emitting products).

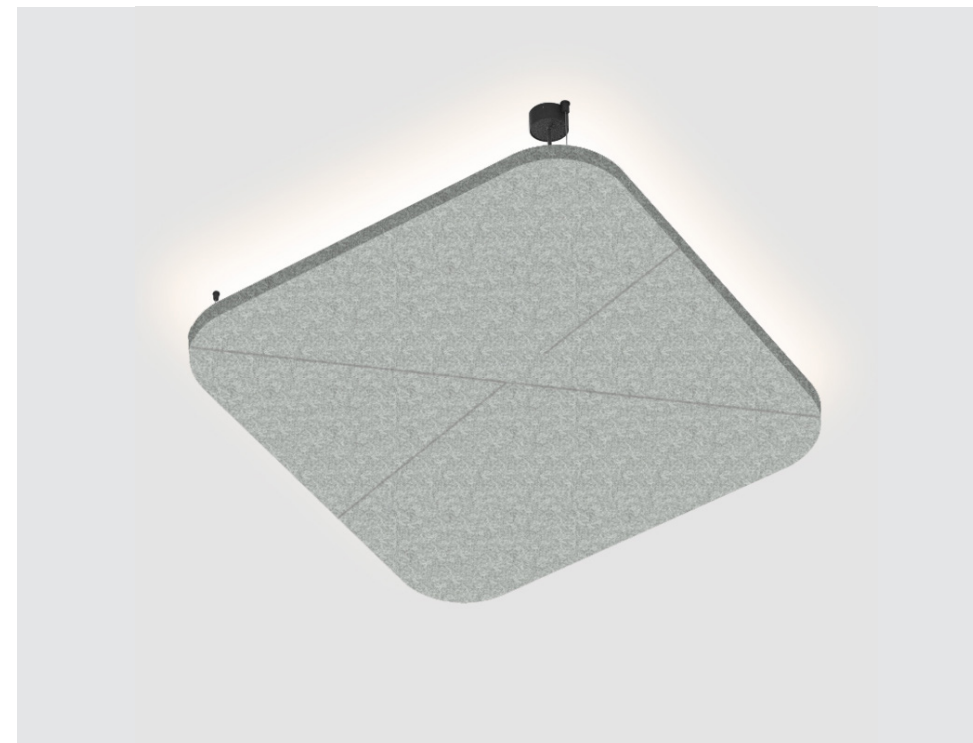




Quantum Acoustic Light Panel

Indirect lighting with acoustic enhancement

Quantum Acoustic Light Panel features quadrilateral panels that deliver soft, indirect lighting while improving room acoustics. These panels create a sleek, cohesive ceiling look, blending functionality with design. Available in 32 vibrant colors, Quantum Acoustic Light Panels offer endless customization options, making them an ideal choice for spaces where both sound quality and visual appeal are essential.

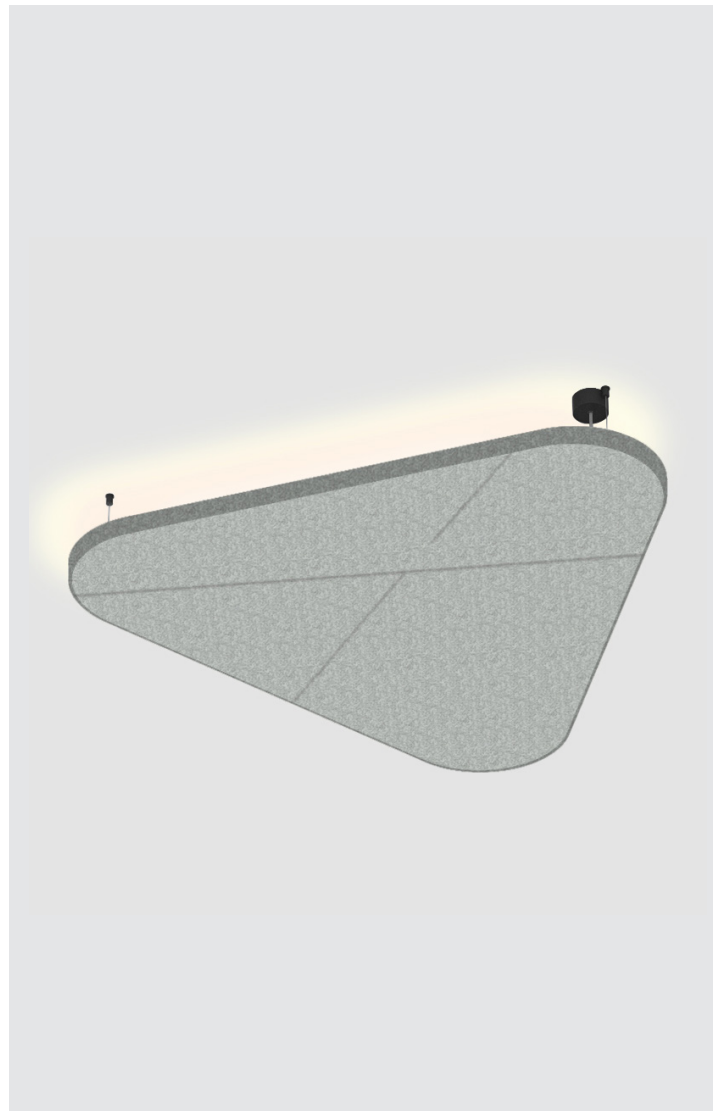


The structure and tools to create any acoustic diameter you desire. High performing acoustic material gives back to the world, made from 53 pet bottles / m squared (12mm thickness) and 88 pet bottles / meter squared (24mm thickness). The material is Cradle to Cradle Certified and qualifies for LEED v4 specification on VOC emissions in LEED Eq credit (low -emitting products).

Victory Acoustic Light Panel

Acoustic pop art

Victory Acoustic Light Panel introduces triangular panels that complement the Victory Acoustic luminaires, offering indirect lighting for a smooth and cohesive ceiling appearance. Designed to enhance room acoustics while adding a modern geometric touch, these panels expand the possibilities for creative lighting solutions.

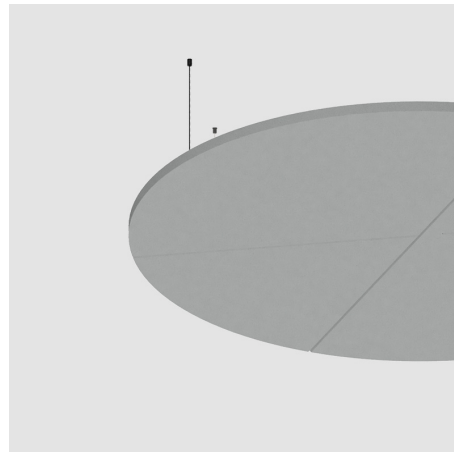


The structure and tools to create any acoustic diameter you desire. High performing acoustic material gives back to the world, made from 53 pet bottles / m squared (12mm thickness) and 88 pet bottles / meter squared (24mm thickness). The material is Cradle to Cradle Certified and qualifies for LEED v4 specification on VOC emissions in LEED Eq credit (low -emitting products)

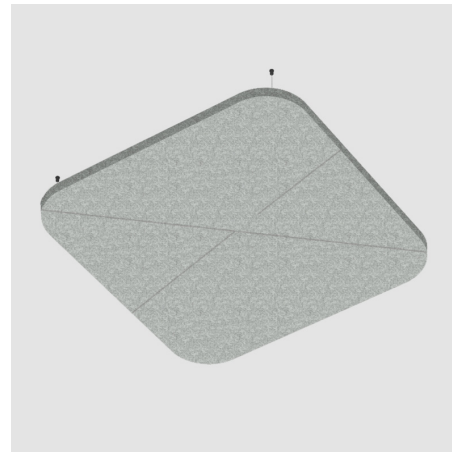


Acoustic Panels

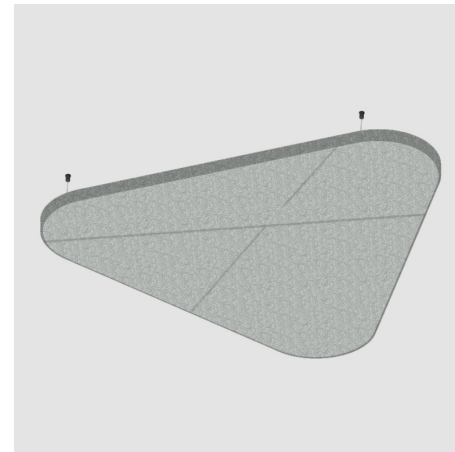
Our range of non-luminaire acoustic panels expertly designed to complement both our acoustic light fixtures and acoustic light panels, ensuring a cohesive design solution.



**Glorious
Acoustic
Panel**

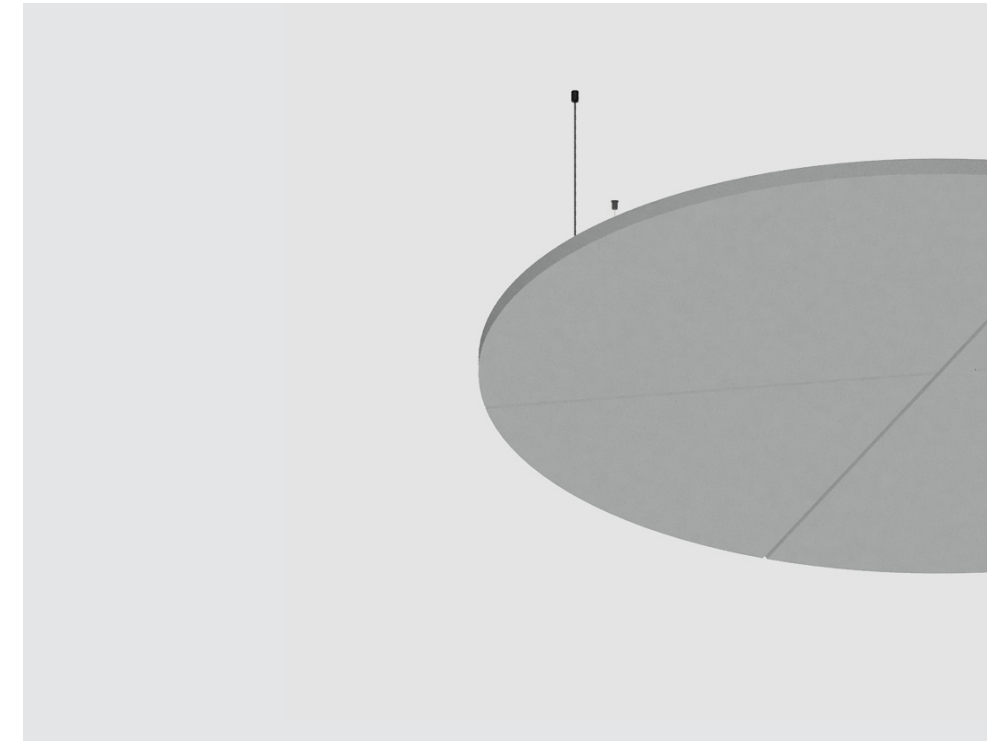


**Quantum
Acoustic
Panel**



**Victory
Acoustic
Panel**





Thanks to its outstanding efficiency one single HADI can illuminate two working desks (according EN 12464), minimizing the power consumption for the desired lighting level. Its CRI > 90, combined with an URG < 19 and its perfectly homogeneous emitting surface make the HADI the ideal solution for comfortable office space.

Glorious Acoustic Panel

Sound absorption with a creative touch

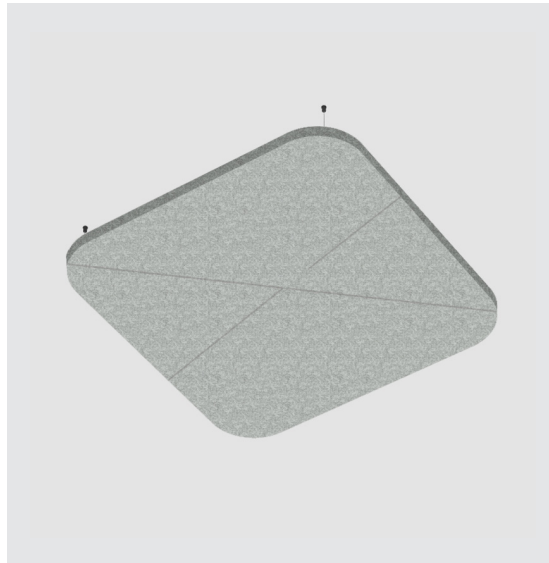
Hadi-Q doubles as a dynamic piece of art that seamlessly integrates sophisticated technology without compromising aesthetics. The diecast aluminum frame houses a highly efficient edge lighting engine, shielded by a multilayer prismatic sandwich diffuser, ensuring optimal light distribution across the workspace. Going beyond traditional lighting fixtures, Hadi-Q incorporates an acoustic panel surround, adding another layer of success to the equation.

Quantum Acoustic Panel

Sleek acoustic panels for stylish sound control

Quantum Acoustic Panel offers a refined solution for both lighting and acoustic needs, featuring quadrilateral panels designed to complement the Quantum lighting collection. These panels enhance room acoustics while seamlessly integrating with your lighting setup. Available in 32 striking colors for both the panels and holders, Quantum Acoustic Panel allows for creative customization, offering endless possibilities to personalize your space with functional, yet stylish acoustic solutions.

The structure and tools to create any acoustic diameter you desire. High performing acoustic material gives back to the world, made from 53 pet bottles / m squared (12mm thickness) and 88 pet bottles / meter squared (24mm thickness). The material is Cradle to Cradle Certified and qualifies for LEED v4 specification on VOC emissions in LEED Eq credit (low -emitting products).

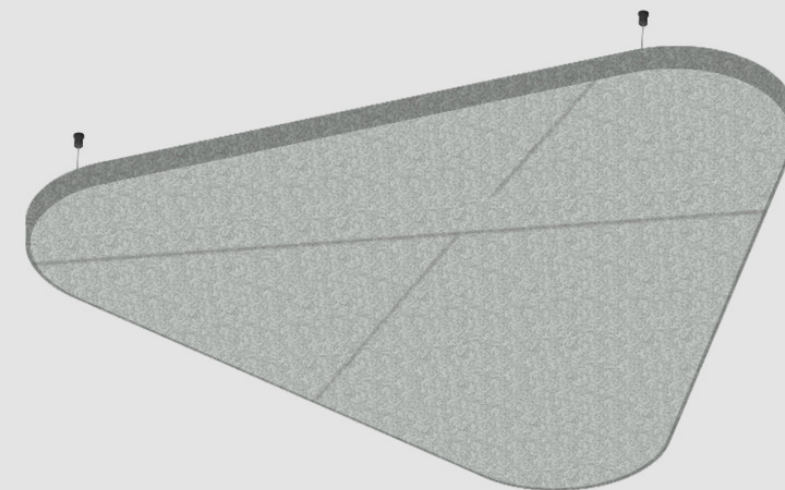


Victory Acoustic Panel

Triangular panels for custom sound and style

Victory Acoustic Panel brings acoustic innovation to the forefront with its striking triangular design, complementing the Victory lighting range. With 32 vibrant colors for both panels and holders, Victory Acoustic Panel allows you to create a unique blend of sound control and visual flair.

The structure and tools to create any acoustic diameter you desire. High performing acoustic material gives back to the world, made from 53 pet bottles / m squared (12mm thickness) and 88 pet bottles / meter squared (24mm thickness). The material is Cradle to Cradle Certified and qualifies for LEED v4 specification on VOC emissions in LEED Eq credit (low -emitting products).





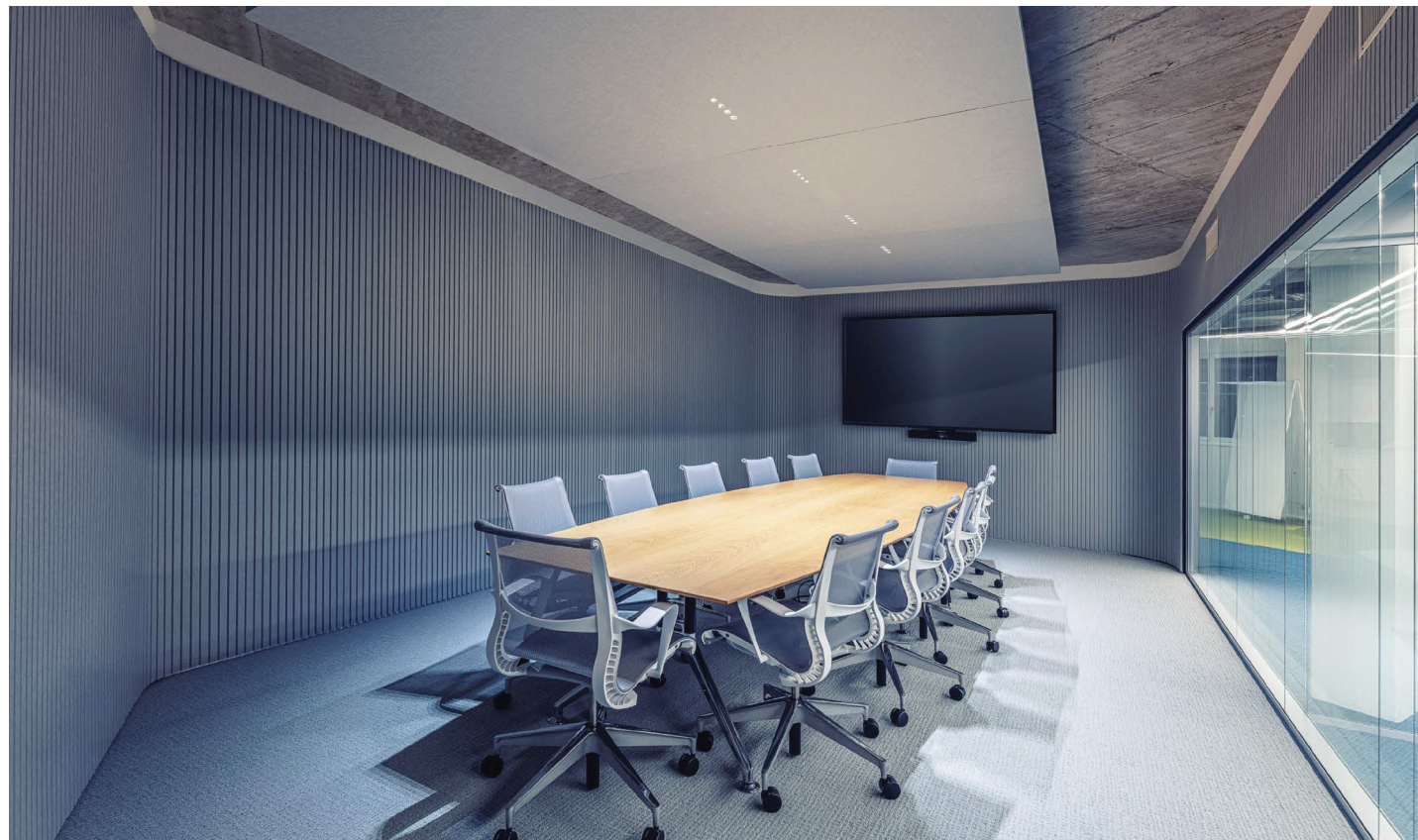
Ceiling panel



Baffle



Privacy Screen

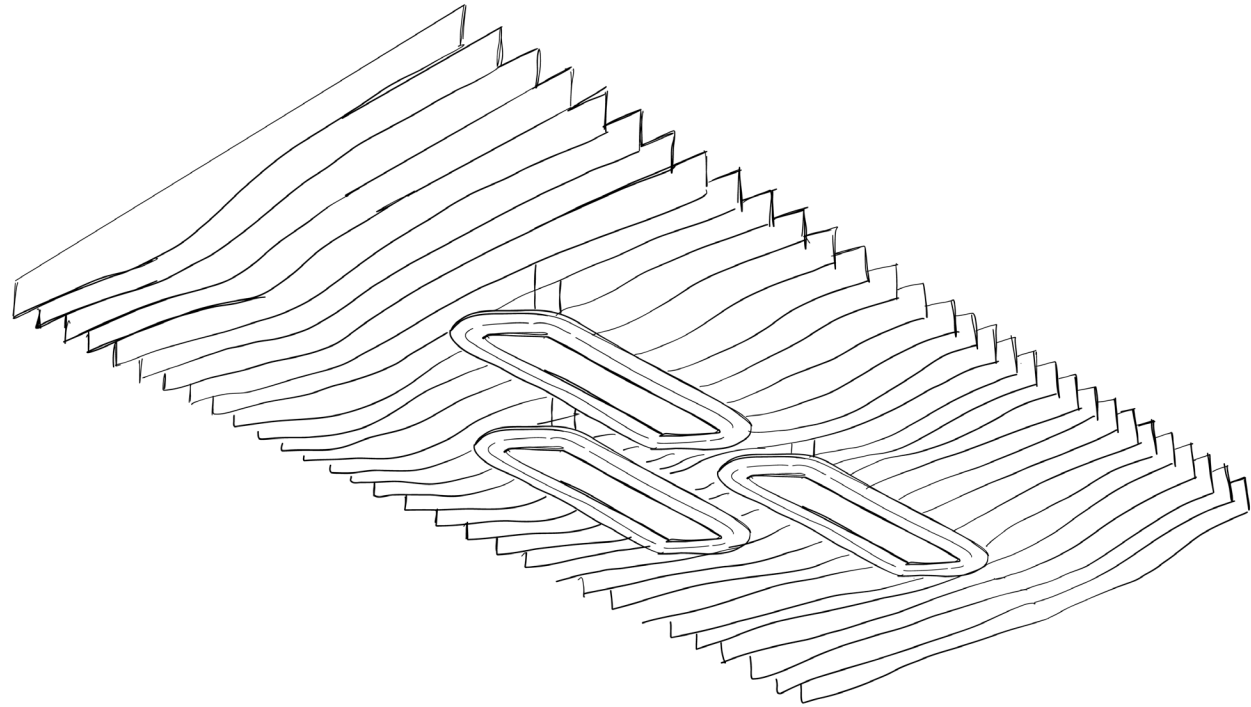


Wall panel

Get Creative With Acoustic Panels

Acoustic panels offer a range of applications beyond their initial purpose. In certain settings, such as offices, healthcare facilities, noise reduction measures help maintain privacy and confidentiality. Sensitive conversations and discussions can be better protected from eavesdropping, ensuring a more secure and trusted environment. Conversely, reducing background noise in public places, restaurants, or social gatherings can improve communication between individuals. This fosters more meaningful conversations and better social connections, contributing to an overall positive social experience.





Sketch

Combine Acoustic Panels to achieve noise reduction goals

While acoustic luminaires offer noise reduction benefits, they may not be sufficient to achieve the level of acoustic comfort necessary in certain environments. To fully optimize noise reduction effects, complementing an acoustic luminaire with additional acoustic panels is essential. These panels provide an added layer of sound absorption and diffusion, effectively controlling reverberation and minimizing unwanted noise. By combining acoustic luminaires with dedicated acoustic panels, spaces can be transformed into more peaceful and acoustically balanced environments.



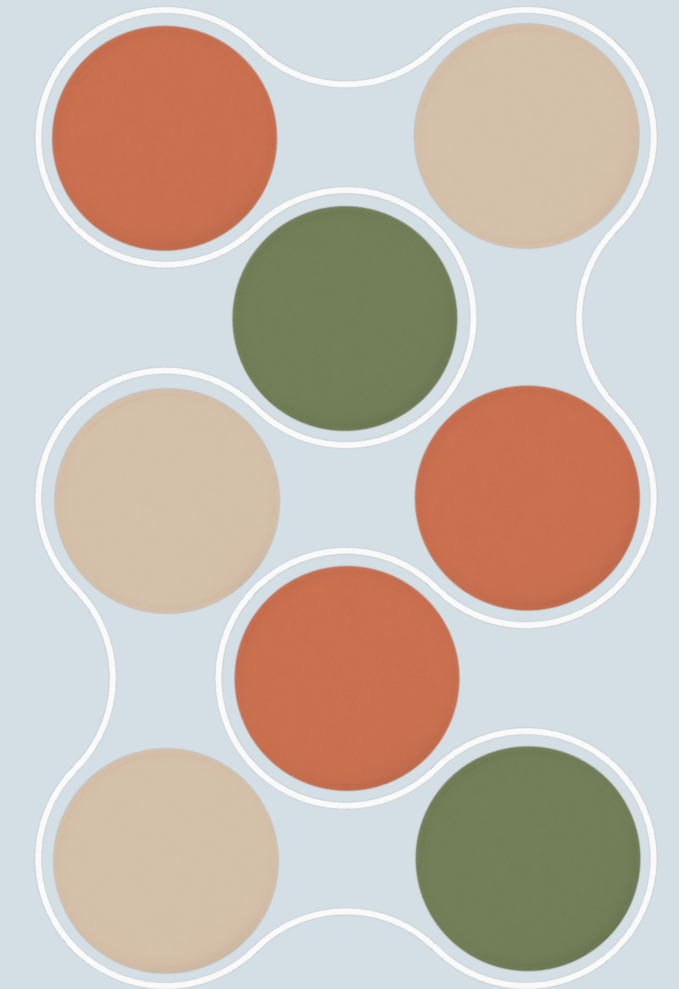
Combination of hadi-q acoustic and an acoustic baffle





Customization

Our commitment to customization extends to our range of acoustic luminaires, allowing us to craft solutions that precisely match the unique requirements of every project.



Create Your Own Acoustic Solution

An innovative and effective solution to address both lighting and noise reduction needs is the option to specify standard Zaneen lighting products with acoustic panel surrounds. For example, the widely acclaimed Super-G fixture can be enhanced by incorporating acoustic panels on either side. This integration seamlessly combines the benefits of superior lighting performance with exceptional noise reduction capabilities. Spaces can not only benefit from visually appealing lighting solutions but also enjoy the added advantage of a quieter and more peaceful atmosphere.



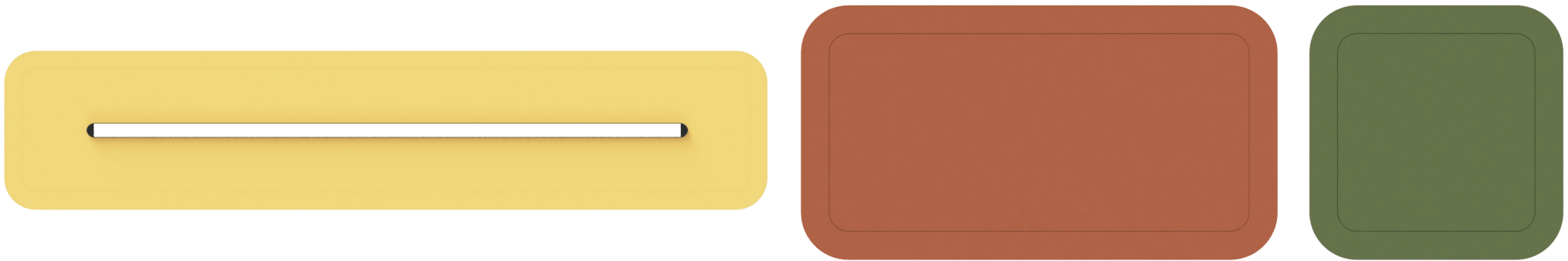
Make it your own

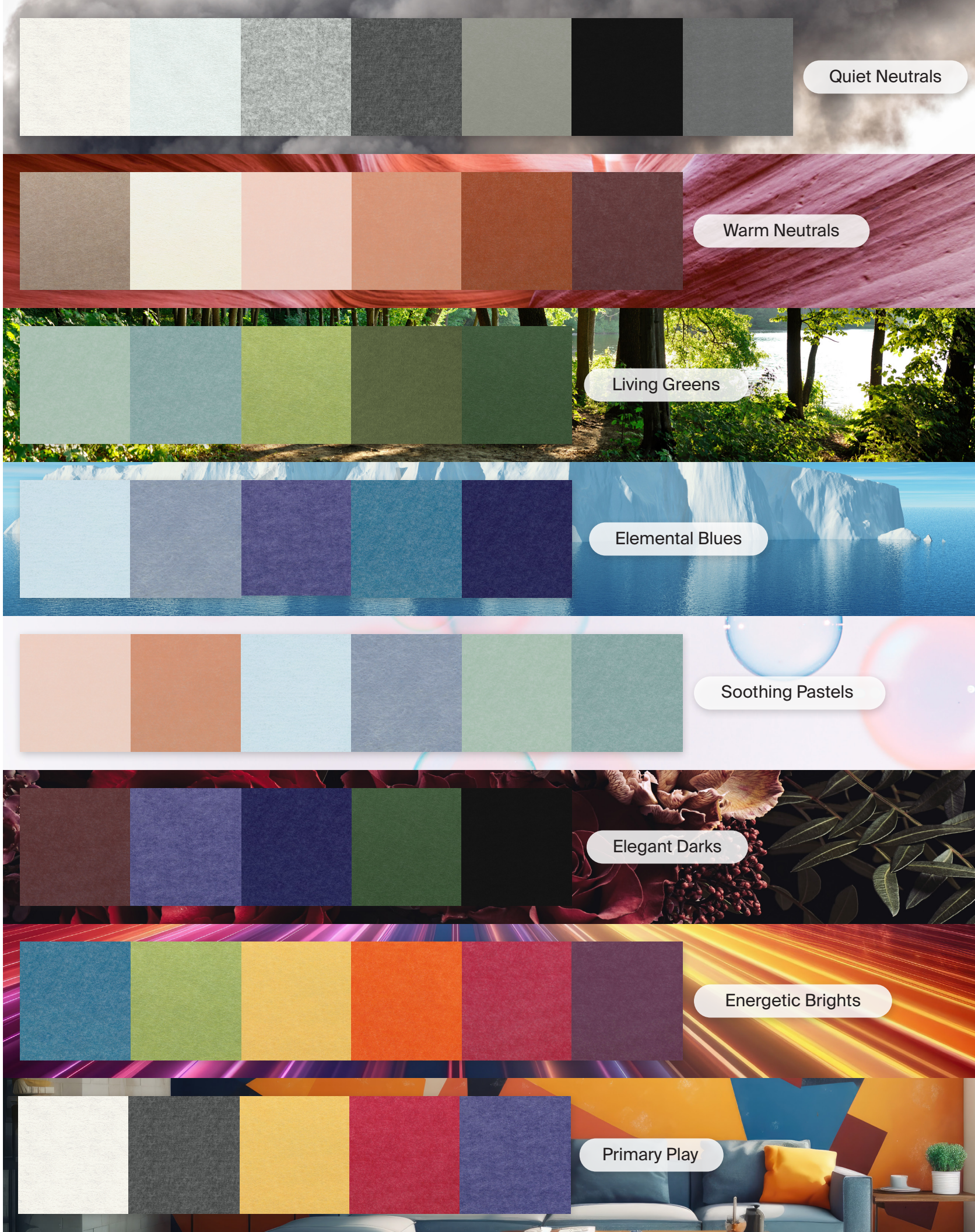
One of the key advantages is our flexibility to tailor the standard acoustic luminaires to suit the specific needs of any project. We offer the capability to adjust the size of these luminaires as well as the integrated lighting system. Whether it's an expansive open-plan office that demands ample illumination with noise reduction properties or a cozy boutique restaurant seeking a perfect blend of aesthetics and acoustic comfort, our adjustable acoustic luminaires deliver on both fronts. This adaptability empowers designers and architects to create spaces that not only provide optimal lighting solutions but also address acoustic concerns.



Explore Custom Lighting Solutions

We take pride in our ability to collaborate with clients to comprehend their distinctive needs and together, craft a bespoke acoustic solution that meets the functional needs and enhances the aesthetic appeal of an environment. By combining our expertise with your vision, we strive to deliver solutions that are a true expression of your individuality, transforming spaces into inspiring settings.





Quiet Neutrals

Warm Neutrals

Living Greens

Elemental Blues

Soothing Pastels

Elegant Darks

Energetic Brights

Primary Play

Play With Color

We firmly believe that a unique color concept can foster an unparalleled sense of comfort and identity when thoughtfully tailored to each space. To embrace this vision, our acoustic products offer a diverse range of colors, allowing you to personalize the components according to your preferences. With a wide array of standard finishes, you have the freedom to tailor the luminaire to your design preferences.



ZANEEN

Internationally recognized North American provider of premium European lighting, offering innovative solutions across four divisions.

[Projects](#)

[Inspiration](#)

For more information, please contact Zaneen or your local representative.

zteam@zaneen.com
T 1-800-388-3382

ARCHITECTURAL

Innovative solutions for precision lighting.

[Products](#)

DESIGN

Extensive range of material, form and style.

[Products](#)

EXTERIOR

Cutting-edge technology meets craftsmanship.

[Products](#)

CUSTOM

Crafting bespoke luminaires with expertise.

[About](#)