

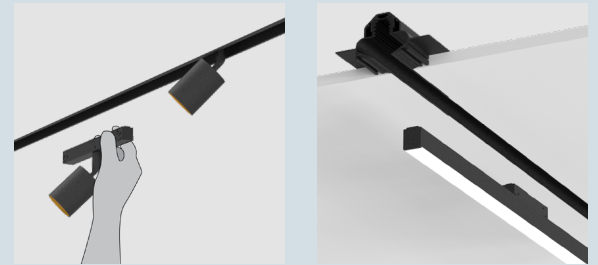
CLICKTRACK 25 TRIMLESS SYSTEM SPECIFICATION SHEET

PROJECT	_____
TYPE	_____
NOTES	_____
QUANTITY	_____
DATE	_____



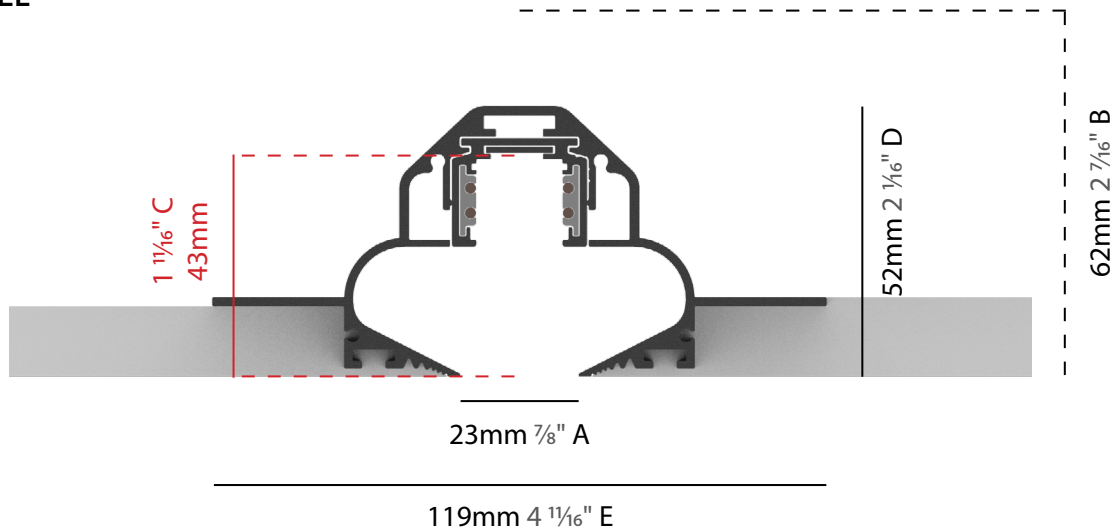
ARCHITECTURAL | CLICKTRACK

Pure minimalism. The extremely slim, trimless CLICKTRACK 25 system offers incredible design freedom for many applications despite the small visible opening of just 25mm. All lights are mounted simply by clicking them into the track, without the need for tools, so the lights can be quickly adapted to new tasks. With 90° connectors it is possible to illuminate continuous room perimeters and even create unique transitions from wall to ceiling.



The cable of the pendants variants can be flexibly shortened or extended at any time. The multiple inserts options for either diffused or targeted light allow a wide range of lighting concepts, for living areas, in retail, for hotels or in public buildings.

SYSTEM PROFILE



A: Opening width | B: Recess depth | C: Opening depth
D: Profile height | E: Width including mounting brackets

CLICKTRACK 25 TRIMLESS SYSTEM SPECIFICATION SHEET

PROJECT	_____
TYPE	_____
NOTES	_____
QUANTITY	_____
DATE	_____

INSERTS

CENTRIQ

FINISHES OPTIONS:

See page 12 for color options and use 2 digit numbers to indicate your choices

CENTRIQ Ø40	A3T080-				qty						
	Wattage: 6.5W	Dimming	CCT - 90 CRI	Finish	Reflector	Delivered Lumen (lm)					
	DN - Non Dim	27K -2700K	◆ ____	(28 colors)	22 - 22°	CCT	22°	30°	34°	38°	48°
	DP - Phase Dim	30K - 3000K	▲ ____		30 - 30°	2700K	489	471	357	452	444
	DV - 0-10V	35K - 3500K			34 - 34°	3000K	512	493	374	472	465
		40K - 4000K			38 - 38°	3500K	564	544	412	520	513
					48 - 48°	4000K	575	555	420	531	523

CENTRIQ Ø55 SUPERSPOT	A3T081-				qty	
	Wattage: 9.3W	Dimming	CCT - 90 CRI	Finish	Delivered Lumen (lm)	
	DN - Non Dim	27K -2700K	◆ ____	(28 colors)	CCT	8°
	DP - Phase Dim	30K - 3000K	▲ ____		2700K	477
	DV - 0-10V	35K - 3500K			3000K	505
		40K - 4000K			3500K	536
					4000K	547

CENTRIQ Ø55	A3T082-				qty						
	Wattage: 11.5W	Dimming	CCT - 90 CRI	Finish	Reflector	Delivered Lumen (lm)					
	DN - Non Dim	27K -2700K	◆ ____	(28 colors)	18 - 18°	CCT	18°	26°	34°	36°	52°
	DP - Phase Dim	30K - 3000K	▲ ____		26 - 26°	2700K	750	643	772	804	818
	DV - 0-10V	35K - 3500K			34 - 34°	3000K	784	673	807	841	856
		40K - 4000K			36 - 36°	3500K	815	700	839	874	890
					52 - 52°	4000K	832	714	856	892	908

HANGOVER (fabric cable)

Ø40 H:150	A3T129-				qty																				
	Wattage: 9.8W	Dimming	CCT - 90 CRI	Finish	Reflector	Shine Ring	Cable (Color/Length)	Delivered Lumen (lm)																	
	DN - Non Dim	27K -2700K	◆ ____	(28 colors)	40 - 40°	 (6 colors) No shine ring: indicate with 00	 (2 digit number below) <table border="1"> <tr> <th>Color</th> <th>2000m</th> <th>6000m</th> </tr> <tr> <td>White</td> <td>21</td> <td>61</td> </tr> <tr> <td>Black</td> <td>22</td> <td>62</td> </tr> <tr> <td>Orange</td> <td>23</td> <td>63</td> </tr> <tr> <td>Red</td> <td>24</td> <td>64</td> </tr> </table>	Color	2000m	6000m	White	21	61	Black	22	62	Orange	23	63	Red	24	64	CCT	40°	52°
	Color	2000m	6000m																						
	White	21	61																						
	Black	22	62																						
	Orange	23	63																						
Red	24	64																							
DP - Phase Dim	30K - 3000K	▲ ____	52 - 52°	2700K	694	684																			
DV - 0-10V	35K - 3500K			3000K	726	716																			
	40K - 4000K			3500K	753	742																			
				4000K	770	759																			

CLICKTRACK 25 TRIMLESS SYSTEM SPECIFICATION SHEET

PROJECT	_____
TYPE	_____
NOTES	_____
QUANTITY	_____
DATE	_____

INSERTS

HANGOVER (fabric cable)

FINISHES OPTIONS:

See page 12 for color options and use 2 digit numbers to indicate your choices

Ø40 H:300	A3T130-						qty					
	Wattage: 11.5W	Dimming	CCT - 90 CRI	Finish	Reflector	Shine Ring	Cable (Color/Length)		Delivered Lumen (lm)			
	DN - Non Dim	27K -2700K	◆ _____	40 - 40°		T _____ (2 digit number below)	CCT	40°	52°			
	DP - Phase Dim	30K - 3000K	▲ _____	52 - 52°								
	DV - 0-10V	35K - 3500K	(28 colors)									
		40K - 4000K										
					No shine ring: indicate with 00	Color	2000m	6000m				
						White	21	61	3000K	726	716	
						Black	22	62	3500K	753	742	
						Orange	23	63	4000K	770	759	
						Red	24	64				

Ø40 H:450	A3T131-						qty					
	Wattage: 11.5W	Dimming	CCT - 90 CRI	Finish	Reflector	Shine Ring	Cable (Color/Length)		Delivered Lumen (lm)			
	DN - Non Dim	27K -2700K	◆ _____	40 - 40°		T _____ (2 digit number below)	CCT	40°	52°			
	DP - Phase Dim	30K - 3000K	▲ _____	52 - 52°								
	DV - 0-10V	35K - 3500K	(28 colors)									
		40K - 4000K										
					No shine ring: indicate with 00	Color	2000m	6000m				
						White	21	61	3000K	726	716	
						Black	22	62	3500K	753	742	
						Orange	23	63	4000K	770	759	
						Red	24	64				

Ø75 H:150	A3T135-						qty						
	Wattage: 9.8W	Dimming	CCT - 90 CRI	Finish	Reflector	Shine Ring	Cable (Color/Length)		Delivered Lumen (lm)				
	DN - Non Dim	27K -2700K	◆ _____	18 - 18°		T _____ (2 digit number below)	CCT	18°	36°	56°			
	DP - Phase Dim	30K - 3000K	▲ _____	36 - 36°									
	DV - 0-10V	35K - 3500K	(28 colors)	56 - 56°									
		40K - 4000K											
					No shine ring: indicate with 00	Color	2000m	6000m					
						White	21	61	3000K	896	894	890	
						Black	22	62	3500K	930	927	923	
						Orange	23	63	4000K	951	948	944	
						Red	24	64					

Ø75 H:150 DIR/IND	A3T136-						qty							
	Wattage: 19.5W	Dimming	CCT - Direct	CCT - Indirect	Finish	Reflector	Shine Ring	Cable (Color/Length)		Delivered Lumen (lm)				
	DN - Non Dim	27K -2700K	27K -2700K	◆ _____	18 - 18°		T _____ (2 digit number below)	CCT	18°	36°	56°			
	DP - Phase Dim	30K - 3000K	30K - 3000K	▲ _____	36 - 36°									
	DV - 0-10V	35K - 3500K	40K - 4000K	(28 colors)	56 - 56°									
		40K - 4000K												
					No shine ring: indicate with 00	Color	2000m	6000m						
						White	21	61	30K/30K	1771	1768	1765		
						Black	22	62	35K/30K	1798	1795	1792		
						Orange	23	63	40K/40K	1833	1829	1826		
						Red	24	64						

CLICKTRACK 25 TRIMLESS SYSTEM SPECIFICATION SHEET

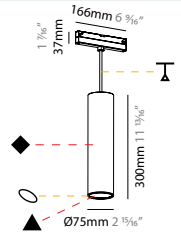
PROJECT
TYPE
NOTES
QUANTITY
DATE

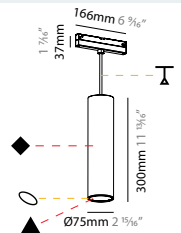
INSERTS

HANGOVER (fabric cable)

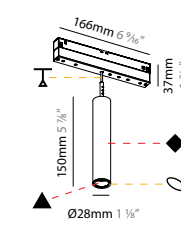
FINISHES OPTIONS:

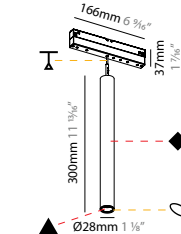
See page 12 for color options and use 2 digit numbers to indicate your choices

Ø75 H:300	A3T137-							qty			
	Wattage: 9.8W	Dimming	CCT - 90 CRI	Finish	Reflector	Shine Ring	Cable (Color/Length)	Delivered Lumen (lm)			
	DN - Non Dim DP - Phase Dim DV - 0-10V	27K -2700K 30K - 3000K 35K - 3500K 40K - 4000K	◆ ____ ▲ ____ (28 colors)	18 - 18° 36 - 36° 56 - 56°	○ ____ (6 colors) No shine ring: indicate with 00	T ____ (2 digit number below) Color 2000m 6000m White 21 61 Black 22 62 Orange 23 63 Red 24 64	CCT 18° 36° 56° 2700K 857 855 851 3000K 896 894 890 3500K 930 927 923 4000K 951 948 944				

Ø75 H:300 DIR/IND	A3T138-							qty			
	Wattage: 19.5W	Dimming	CCT - Direct	CCT - Indirect	Finish	Reflector	Shine Ring	Cable (Color/Length)	Delivered Lumen (lm)		
	DN - Non Dim DP - Phase Dim DV - 0-10V	27K -2700K 30K - 3000K 35K - 3500K 40K - 4000K	27K -2700K 30K - 3000K 40K - 4000K	◆ ____ ▲ ____ (28 colors)	18 - 18° 36 - 36° 56 - 56°	○ ____ (6 colors) No shine ring: indicate with 00	T ____ (2 digit number below) Color 2000m 6000m White 21 61 Black 22 62 Orange 23 63 Red 24 64	CCT 18° 36° 56° 27K/27K 1696 1692 1690 30K/30K 1771 1768 1765 35K/30K 1798 1795 1792 40K/40K 1833 1829 1826			

HANGOVER PLUG (wired cable)

Ø28 H:150	A3T120-							qty			
	Wattage: 6.4W	Dimming	CCT - 90 CRI	Finish	Reflector	Shine Ring	Cable (Color/Length)	Delivered Lumen (lm)			
	DN - Non Dim DP - Phase Dim DV - 0-10V	27K -2700K 30K - 3000K 35K - 3500K 40K - 4000K	◆ ____ ▲ ____ (28 colors)	20 - 20° 26 - 26° 56 - 56°	○ ____ (6 colors) No shine ring: indicate with 00	T ____ (2 digit number below) Color 2000m 4000m Black 01 02 White 03 04 Orange 05 06 Red 07 08 Green 09 10	CCT 20° 26° 56° 2700K 403 397 381 3000K 427 420 404 3500K 451 443 426 4000K 463 455 438				

Ø28 H:300	A3T121-							qty			
	Wattage: 6.4W	Dimming	CCT - 90 CRI	Finish	Reflector	Shine Ring	Cable (Color/Length)	Delivered Lumen (lm)			
	DN - Non Dim DP - Phase Dim DV - 0-10V	27K -2700K 30K - 3000K 35K - 3500K 40K - 4000K	◆ ____ ▲ ____ (28 colors)	20 - 20° 26 - 26° 56 - 56°	○ ____ (6 colors) No shine ring: indicate with 00	T ____ (2 digit number below) Color 2000m 4000m Black 01 02 White 03 04 Orange 05 06 Red 07 08 Green 09 10	CCT 20° 26° 56° 2700K 403 397 381 3000K 427 420 404 3500K 451 443 426 4000K 463 455 438				

CLICKTRACK 25 TRIMLESS SYSTEM SPECIFICATION SHEET

PROJECT	
TYPE	
NOTES	
QUANTITY	
DATE	

HANGOVER PLUG (wired cable)

FINISHES OPTIONS:

See page 12 for color options and use 2 digit numbers to indicate your choices

INSERTS

Ø28 H:450	A3T122-							qty			
Wattage: 6.4W	Dimming	CCT - 90 CRI	Finish	Reflector	Shine Ring	Cable (Color/Length)	Delivered Lumen (lm)				
	DN - Non Dim	27K -2700K	◆ ___	20 - 20°	○ ___	T ___ (2 digit number below) Color 2000m 4000m Black 01 02 White 03 04 Orange 05 06 Red 07 08 Green 09 10	CCT	20°	26°	56°	
	DP - Phase Dim	30K - 3000K	▲ ___	26 - 26°	(6 colors)		2700K	403	397	381	
	DV - 0-10V	35K - 3500K	(28 colors)	56 - 56°	No shine ring: indicate with 00		3000K	427	420	404	
		40K - 4000K					3500K	451	443	426	
							4000K	463	455	438	
Ø40 H:150	A3T132-							qty			
Wattage: 9.8W	Dimming	CCT - 90 CRI	Finish	Reflector	Shine Ring	Cable (Color/Length)	Delivered Lumen (lm)				
	DN - Non Dim	27K -2700K	◆ ___	40 - 40°	○ ___	T ___ (2 digit number below) Color 2000m 4000m Black 01 02 White 03 04 Orange 05 06 Red 07 08 Green 09 10	CCT	40°	52°		
	DP - Phase Dim	30K - 3000K	▲ ___	52 - 52°	(6 colors)		2700K	694	684		
	DV - 0-10V	35K - 3500K	(28 colors)		No shine ring: indicate with 00		3000K	726	716		
		40K - 4000K					3500K	753	742		
							4000K	770	759		
Ø40 H:300	A3T133-							qty			
Wattage: 9.8W	Dimming	CCT - 90 CRI	Finish	Reflector	Shine Ring	Cable (Color/Length)	Delivered Lumen (lm)				
	DN - Non Dim	27K -2700K	◆ ___	40 - 40°	○ ___	T ___ (2 digit number below) Color 2000m 4000m Black 01 02 White 03 04 Orange 05 06 Red 07 08 Green 09 10	CCT	40°	52°		
	DP - Phase Dim	30K - 3000K	▲ ___	52 - 52°	(6 colors)		2700K	694	684		
	DV - 0-10V	35K - 3500K	(28 colors)		No shine ring: indicate with 00		3000K	726	716		
		40K - 4000K					3500K	753	742		
							4000K	770	759		
Ø40 H:450	A3T134-							qty			
Wattage: 9.8W	Dimming	CCT - 90 CRI	Finish	Reflector	Shine Ring	Cable (Color/Length)	Delivered Lumen (lm)				
	DN - Non Dim	27K -2700K	◆ ___	40 - 40°	○ ___	T ___ (2 digit number below) Color 2000m 4000m Black 01 02 White 03 04 Orange 05 06 Red 07 08 Green 09 10	CCT	40°	52°		
	DP - Phase Dim	30K - 3000K	▲ ___	52 - 52°	(6 colors)		2700K	694	684		
	DV - 0-10V	35K - 3500K	(28 colors)		No shine ring: indicate with 00		3000K	726	716		
		40K - 4000K					3500K	753	742		
							4000K	770	759		

CLICKTRACK 25 TRIMLESS SYSTEM SPECIFICATION SHEET

PROJECT	_____
TYPE	_____
NOTES	_____
QUANTITY	_____
DATE	_____

HANGOVER PLUG (wired cable)

FINISHES OPTIONS:

See page 12 for color options and use 2 digit numbers to indicate your choices

INSERTS

Ø75 H:150	A3T139-						qty																			
	Wattage: 6.4W	Dimming	CCT - 90 CRI	Finish	Reflector	Shine Ring	Cable (Color/Length)		Delivered Lumen (lm)																	
		DN - Non Dim DP - Phase Dim DV - 0-10V	27K -2700K 30K - 3000K 35K - 3500K 40K - 4000K	◆ ____ ▲ ____ (28 colors)	6 - 6° 22 - 22° 38 - 38°	 (6 colors) No shine ring: indicate with 00	T ____ (2 digit number below) Color 2000m 4000m Black 01 02 White 03 04 Orange 05 06 Red 07 08 Green 09 10	CCT	6°	22°	38°	2700K	389	335	371	3000K	412	355	393	3500K	435	375	415	4000K	447	385

Ø75 H:150 DIR/IND	A3T140-						qty																				
	Wattage: 9.6W	Dimming	CCT - Direct	CCT - Indirect	Finish	Reflector	Shine Ring	Cable (Color/Length)		Delivered Lumen (lm)																	
		DN - Non Dim DP - Phase Dim DV - 0-10V	27K -2700K 30K - 3000K 35K - 3500K 40K - 4000K	27K -2700K 30K - 3000K 40K - 4000K	◆ ____ ▲ ____ (28 colors)	6 - 6° 22 - 22° 38 - 38°	 (6 colors) No shine ring: indicate with 00	T ____ (2 digit number below) Color 2000m 4000m Black 01 02 White 03 04 Orange 05 06 Red 07 08 Green 09 10	CCT	6°	22°	38°	27K/27K	712	656	691	30K/30K	750	690	728	35K/30K	770	709	748	40K/40K	793	730

ACCESSORY

INDIRECT DIFFUSER	A380106-						qty			
	Finish						Indirect diffuser accessory for Hangover and Hangover Plug Ø75mm.			
	____ (5 colors - choose 3 letter code below) Yellow - YEL Orange - ORA Red - RED Blue - BLU Green - GRN									

HANGOVER PLUG MICRO-DOT

Ø28 H:150	A3T117-						qty														
	Wattage: 6.4W	Dimming	CCT - 90 CRI	Finish	Reflector	Shine Ring	Cable (Color/Length)		Delivered Lumen (lm)												
		DN - Non Dim DP - Phase Dim DV - 0-10V	27K -2700K 30K - 3000K 35K - 3500K 40K - 4000K	◆ ____ ▲ ____ (28 colors)	32 - 32° 58 - 58°		T ____ (2 digit number below) Color 2000m 4000m Black 01 02 White 03 04 Orange 05 06 Red 07 08 Green 09 10	CCT	32°	58°	2700K	283	310	3000K	300	328	3500K	317	347	4000K	325

CLICKTRACK 25 TRIMLESS SYSTEM SPECIFICATION SHEET

PROJECT	_____
TYPE	_____
NOTES	_____
QUANTITY	_____
DATE	_____

INSERTS

HANGOVER PLUG MICRO-DOT

FINISHES OPTIONS:

See page 12 for color options and use 2 digit numbers to indicate your choices

Ø28 H:300	A3T118-			CCT			Delivered Lumen (lm)		
	Wattage: 6.4W	Dimming	CCT - 90 CRI	Finish	Reflector	Cable (Color/Length)	CCT	32°	58°
	DN - Non Dim	27K -2700K	◆ ___	32 - 32°	T ___ (2 digit number below) Color 2000m 4000m Black 01 02 White 03 04 Orange 05 06 Red 07 08 Green 09 10	2700K 283 310 3000K 300 328 3500K 317 347 4000K 325 356			
	DP - Phase Dim	30K - 3000K	▲ ___	58 - 58°					
	DV - 0-10V	35K - 3500K	(28 colors)						
		40K - 4000K							

Ø28 H:450	A3T119-			CCT			Delivered Lumen (lm)		
	Wattage: 6.4W	Dimming	CCT - 90 CRI	Finish	Reflector	Cable (Color/Length)	CCT	32°	58°
	DN - Non Dim	27K -2700K	◆ ___	32 - 32°	T ___ (2 digit number below) Color 2000m 4000m Black 01 02 White 03 04 Orange 05 06 Red 07 08 Green 09 10	2700K 283 310 3000K 300 328 3500K 317 347 4000K 325 356			
	DP - Phase Dim	30K - 3000K	▲ ___	58 - 58°					
	DV - 0-10V	35K - 3500K	(28 colors)						
		40K - 4000K							

LEDLINE

LEDLINE 620	A3T086-			CCT			Delivered Lumen (lm)		
	Wattage: 6.6W/7.9W(DV)	Dimming	CCT - 90 CRI	Finish	Reflector	Cable (Color/Length)	CCT	Non-Dim	0-10V
	DN - Non Dim	27K -2700K			T ___ (2 digit number below) Color 2000m 4000m Black 01 02 White 03 04 Orange 05 06 Red 07 08 Green 09 10	2700K 358 537 3000K 358 591 4000K 358 693			
	DP - Phase Dim	30K - 3000K							
	DV - 0-10V	40K - 4000K							

LEDLINE 820	A3T087-			CCT			Delivered Lumen (lm)		
	Wattage: 8.8W/10.6W(DV)	Dimming	CCT - 90 CRI	Finish	Reflector	Cable (Color/Length)	CCT	Non-Dim	0-10V
	DN - Non Dim	27K -2700K			T ___ (2 digit number below) Color 2000m 4000m Black 01 02 White 03 04 Orange 05 06 Red 07 08 Green 09 10	2700K 478 716 3000K 478 788 4000K 478 924			
	DP - Phase Dim	30K - 3000K							
	DV - 0-10V	40K - 4000K							

CLICKTRACK 25 TRIMLESS SYSTEM SPECIFICATION SHEET

PROJECT	_____
TYPE	_____
NOTES	_____
QUANTITY	_____
DATE	_____

INSERTS

LEDLINE

FINISHES OPTIONS:

See page 12 for color options and use 2 digit numbers to indicate your choices

LEDLINE 1020	A3T088-	qty			
		Delivered Lumen (lm)	CCT	Non-Dim	0-10V
Wattage: 11W/13.2W(DV)	Dimming	CCT - 90 CRI			
	DN - Non Dim	27K -2700K	2700K	597	896
	DP - Phase Dim	30K - 3000K	3000K	597	985
	DV - 0-10V	40K - 4000K	4000K	597	1155

LEDLINE 1220	A3T089-	qty			
		Delivered Lumen (lm)	CCT	Non-Dim	0-10V
Wattage: 13.2W/15.8W(DV)	Dimming	CCT - 90 CRI			
	DN - Non Dim	27K -2700K	2700K	716	1075
	DP - Phase Dim	30K - 3000K	3000K	716	1182
	DV - 0-10V	40K - 4000K	4000K	716	1386

MAGIQ

MAGIQ 4	A380062-	qty						
		Delivered Lumen (lm)	CCT	8°	14°	34°		
Wattage: 13.3W	Dimming	CCT - 90 CRI	Finish	Reflector				
	DN - Non Dim	27K -2700K	◆ —	8 - 8°	2700K	659	612	781
	DP - Phase Dim	30K - 3000K	(28 colors)	14 - 14°	3000K	712	661	843
	DV - 0-10V	35K - 3500K		34 - 34°	3500K	727	675	860
		40K - 4000K			4000K	742	689	878

MAGIQ 4 KORONA	A380052-	qty						
		Delivered Lumen (lm)	CCT	8°	14°	34°		
Wattage: 13.3W	Dimming	CCT - 90 CRI	Finish	Reflector				
	DN - Non Dim	27K -2700K	◆ —	8 - 8°	2700K	659	612	781
	DP - Phase Dim	30K - 3000K	▲ —	14 - 14°	3000K	712	661	843
	DV - 0-10V	35K - 3500K	(28 colors)	34 - 34°	3500K	727	675	860
		40K - 4000K			4000K	742	689	878

CLICKTRACK 25 TRIMLESS SYSTEM SPECIFICATION SHEET

PROJECT	_____
TYPE	_____
NOTES	_____
QUANTITY	_____
DATE	_____

SNOOKER

FINISHES OPTIONS:

See page 12 for color options and use 2 digit numbers to indicate your choices

INSERTS

SNOOKER	A3T090-						qty				
	Wattage: 6.4W	Dimming	CCT - 90 CRI	Finish	Reflector	Cable (Color/Length)	Delivered Lumen (lm)				
	DN - Non Dim DP - Phase Dim DV - 0-10V	27K -2700K 30K - 3000K 35K - 3500K 40K - 4000K	◆ _____ (28 colors)	32 - 32° 58 - 58°	T _____ (2 digit number below)	CCT 32° 58°					
						2700K 283 310					
						Color	2000m	4000m	3000K 300 328		
						Black	01	02	3500K 317 347		
						White	03	04	4000K 325 356		
Orange	05	06									
Red	07	08									
Green	09	10									

SNOOKER SHINE	A3T091-						qty				
	Wattage: 6.4W	Dimming	CCT - 90 CRI	Finish	Reflector	Shine Ring	Cable (Color/Length)	Delivered Lumen (lm)			
	DN - Non Dim DP - Phase Dim DV - 0-10V	27K -2700K 30K - 3000K 35K - 3500K 40K - 4000K	◆ _____ (28 colors)	32 - 32° 58 - 58°	○ _____ (6 colors)	CCT 32° 58°					
						2700K 283 310					
						Color	2000m	4000m	3000K 300 328		
						Black	01	02	3500K 317 347		
						White	03	04	4000K 325 356		
Orange	05	06									
Red	07	08									
Green	09	10									

CLICKTRACK 25 TRIMLESS SYSTEM SPECIFICATION SHEET

PROJECT	_____
TYPE	_____
NOTES	_____
QUANTITY	_____
DATE	_____

SYSTEM SUMMARY

System

Type

Trimless (Non-IC type)
Rated for Dry Locations Ceiling and Wall Mounted

Approval Status

Certified to North American Standards

Emission

Refer to emission icon beside each light insert and symbol legend for descriptions

Efficiency

Acrylic Opal Diffuser (snap-in) lens 43%

Profile

Measurement

w 119mm (4 11/16") x ht. 52mm (2 1/16")

Housing

Anodized extruded aluminum profile available per meter and field-cuttable
Profiles have a maximum length of 3000mm (9' 10 1/16") and joined together with couplers to ensure uniform appearance and easy installation

Cutout

w 70mm (2 3/4") x Profile Length + 8mm (5/16")

Drywall Ceiling Thickness

Mounting brackets must be specified considering the ceiling thickness of 12.5mm (1/2")

Recessed Depth

h 65mm (2 5/16")

Electrical

Connections

Luminaries are pre-wired by factory

Power Feed

Located in the center of the end cap - 22mm diameter hole
If a different location is required, please specify
A connector is located on one end of the 48V profile channel to carry the electrical power from the supply unit - there is 165mm (6 1/2") of unusable space for inserts from the end cap

3 Wires - non-dimming or phase dimming

4 Wires - two circuits of non-dimming or phase dimming

5 Wires - 0-10V dimming or dali dimming

LED Driver

Driver must be remote with supplied enclosure.
Maximum distance between the power supply and the last fixture on the circuit is 30' using a 18-gauge wire. For more than 30', the gauge of the wire must be determined by a certified professional. The length of the fixture specified must be considered within the maximum distance of 3'. Provisions must be made on site for accessibility to the power supplies.

Electronic Class 2 driver, Universal 120V/277V

Non Dimming Driver, Dimming Driver 0-10V (10-100%)

Consult factory for driver cutsheet

If a different driver is required, please specify

Emergency Inverter Compatible

To be installed remotely, and provided by others
It can be located up to 250m away from the fixture

Emergency circuit wiring is available upon request (Isolated track with dedicated driver used for emergency circuit will connect to emergency battery pack - supplied by others)

General

Features

Korona Cone is a glare-reduction cone that sits in front of the reflector - available in 28 standard colors, thus creating a special decorative effect

LFO lenses ensure a glare free downlight without illuminating the luminaries housing and the lowest UGR ratings perfect for residential and hospitality applications

All spots are mounted simply by clicking them into the track, without the need for tools. The cable of the pendants can be flexibly shortened or extended at any time. The snooker and hangover plug inserts can be altered, swapped, and adjusted in the field to create playful atmospheres that changes with the surrounding environment

Custom Requests and Additional Options

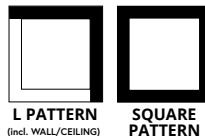
Availability depends by insert, system, and configuration
Must consult factory and allow up to 5 business days for an answer

Special beam angles, individual sizes, special LEDs, RGB-W, tunable, light inserts with different outputs

Special LEDs optimize luminaries to meet different applications
Gold+ invokes a heavy golden tone intended for bread and pastries
Meat+ displays saturated red light (white parts of product will appear slightly red)
Art+ highlights pieces of art without adversely affecting the perception of individual colors
Fashion+ has the entire color spectrum brilliantly orchestrated without distorting the color temperature

Configuration

Consult factory for patterns or custom designs
Provide configuration drawings



*Shop drawings provided upon receiving purchase order

Warranty

ZANEEN provides a limited warranty from date of purchase to original purchaser

LED Inserts: 5 year tested for 50,000 hours at 70% lumen output (L70)

LED Driver: 5 year

Non-Electrical Components: 1 year

*Check boxes to complete specification order and submit to quotes@zaneen.com to receive a formal BOM and a finalized model number

*In a constant effort to supply the best product, we reserve the right to change specifications or materials without notice. The most recent specification sheets are found at zaneen.com

PROJECT _____
 TYPE _____
 NOTES _____
 QUANTITY _____
 DATE _____

CLICKTRACK 25 TRIMLESS SYSTEM SPECIFICATION SHEET

FINISH COLORS



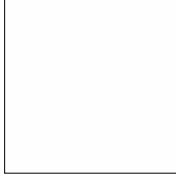
Sparkling Silver - 01



Black Velvet - 02



Crystal White - 03



Creamy - 04



Hampton Bay - 05



Urban Forest - 07



In the Army - 08



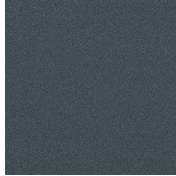
Rusty Angel - 09



Fade to Grey - 12



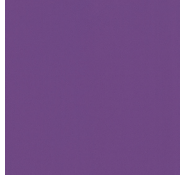
Mysterious Grey - 13



Lost Dream - 15



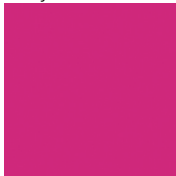
Purple Sky - 16



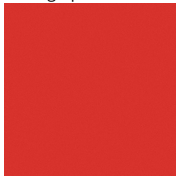
Fresh Oh - 17



Funky P - 18



Kissing Aphrodite - 19



Poseidon's Paradise - 20



Blue Sky - 21



Spring Green - 22



Mellow Yellow - 23



Golden Heart - 24



Gun Metal - 25



Champagne Cream - 26



Copper Mine - 27



Ancient Bronze - 28



Jazz Gold - 29



Olive Breeze - 30



Moonlight Silver - 31



Rosewood Red - 32



SHINE RING



Opal - 01



Yellow - 02



Orange - 03



Red - 04



Blue - 05



Green - 06



Digital: Not all screens are calibrated the same, and therefore, colors will appear differently between screens.

Physical: When texture is involved, there will be variations in color, character and tone within a product series and between product families.

Gun Metal: No Gun Metal finish is alike. It combines a mixture of transparent and black color particles which ensures a highly individual effect and no luminaire being identical.

Champagne Cream, Copper Mine, Ancient Bronze + Jazz Gold: These finishes have slight fading from specific powder coating production. Each luminaire will slightly vary.

RAL Color Upon Request



LEGEND

	floor-mounted		pivotal		special LED (upon request) RGB, RGBW, tunable, gold+, meat+, art+, fashion+
	wall and ceiling: recessed and surface mounted		rotating		warm dim / natural dimming LED
	ceiling-mounted and wall-mounted		illuminate tilted		rechargeable battery powered
	wall-mounted		color of suspension cable		fixture with natural vivid LED (upon request)
	omni-directional light distribution		length of suspension cable		color rendering index
	direct light distribution		reflector degree selection		color temperature
	direct/indirect light distribution		super spot		lumen (luminous flux)
	indirect light distribution		lens		efficacy (lumens per watt)
	asymmetric light distribution		lens pack		Unified Glare Rating (UGR) range from 5-40
	aura light distribution		shine ring		marine grade (AISI 316 stainless steel)
	round wall or ceiling cut-out		integrated shine ring with diffuser		walk on
	square wall or ceiling cut-out		free individual colors 01-29		drive on
	the supplied jig specifies the cutout dimensions		individual colors: 00 (free of charge), 01-25 (extra charge)		Dark Sky Compliance
	minimum distance (meters) lamp - object		luminaire part to be colored (F1)		Americans with Disabilities Act (less than 4" off the wall located between 27"-84" from floor)
	recessed depth		luminaire part to be colored (F2)		lamp protected against explosion
	ceiling thickness in mm		luminaire part to be colored (F3)		blown glass using traditional methods by master glass blower
	ceiling thickness selection		luminaire part to be colored (F4)		acoustic material
	dimnable DP (phase), DV (0-10V), DD (dali), DS (step-dim)		luminaire part to be colored (F5)		protection class I, protection insulation
	included or excluded LED driver/transformer/control gear		color of 3-circuit adaptor		protection class II, protection insulation
	separately switchable		indirect diffuser		ETL Certified to UL and CSA Standards
	sensor		direct diffuser		UL Certified to UL and CSA Standards
	remote control		ball-proof (upon request)		CSA Certified to UL and CSA Standards
	available upon request		accessory		Certified for North American Standards

IP RATING

	protected against ingress of solid bodies greater than 12.5mm (finger)
	protected against ingress of solid bodies greater than 2.5mm protected against sprays of water up to 60 degrees from the vertical (rain)
	protected against ingress of solid bodies greater than 1mm (wire) no protection against the ingress of moisture
	protected against ingress of solid bodies greater than 1mm (wire) protected against sprays of water up to 60 degrees from the vertical (rain)
	protected against ingress of solid bodies greater than 1mm (wire) protected against water splashed from all directions
	protected against limited ingress of dust (wet rooms/covered outdoor areas) protected against water splashed from all directions
	protected against ingress of dust protected against jets of water
	protected against ingress of dust protected against powerful jets of water or heavy seas
	protected against ingress of dust protected against immersion of water between 15cm - 1m for 30 minutes
	protected against ingress of dust protected against immersion of water under pressure for long periods

IK RATING

	protected against 0.14 joules impact (equivalent to 0.25kg mass dropped from 56mm above the surface)
	protected against 0.2 joules impact (equivalent to 0.25kg mass dropped from 80mm above the surface)
	protected against 0.35 joules impact (equivalent to 0.25kg mass dropped from 140mm above the surface)
	protected against 0.5 joules impact (equivalent to 0.25kg mass dropped from 200mm above the surface)
	protected against 0.7 joules impact (equivalent to 0.25kg mass dropped from 280mm above the surface)
	protected against 1 joules impact (equivalent to 0.25kg mass dropped from 400mm above the surface)
	protected against 2 joules impact (equivalent to 0.5kg mass dropped from 400mm above the surface)
	protected against 5 joules impact (equivalent to 1.7kg mass dropped from 300mm above the surface)
	protected against 10 joules impact (equivalent to 5.0kg mass dropped from 200mm above the surface)
	protected against 20 joules impact (equivalent to 5.0kg mass dropped from 400mm above the surface)

PROJECT	_____
TYPE	_____
NOTES	_____
QUANTITY	_____
DATE	_____

WIRING DIAGRAMS

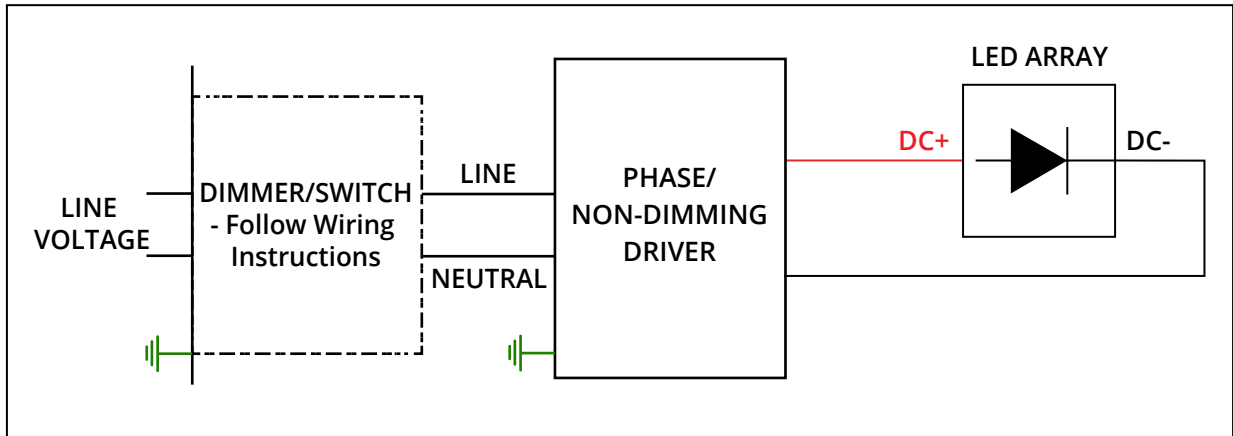
ALL ZANEEN FIXTURES ARE MANUFACTURED TO NORTH AMERICAN ELECTRICAL STANDARDS

Post Sales Support
HQ 1-800-388-3382 X 625 support@zaneen.com

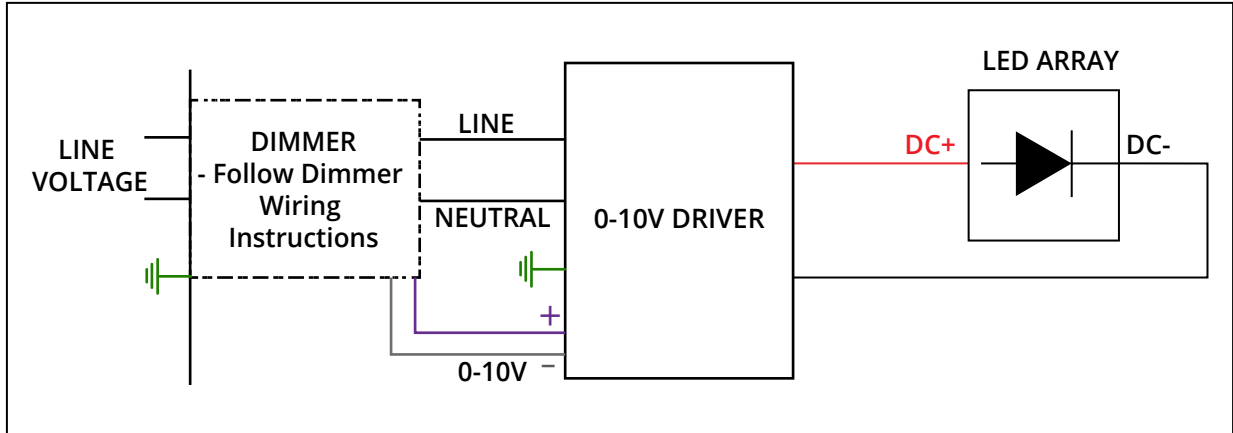
IMPORTANT

- Do NOT connect directly to line voltage
- There is a minimum and maximum load per driver (See fixture and driver specifications).
- Fixture MUST be connected to LED driver, prior to turning power on

PHASE/NON-DIMMING WIRING DIAGRAM



0-10V DIMMING WIRING DIAGRAM



CLICKTRACK 25 TRIMLESS SYSTEM SPECIFICATION SHEET

PROJECT _____
TYPE _____
NOTES _____
QUANTITY _____
DATE _____

Insert custom drawing here or attach with additional pages

