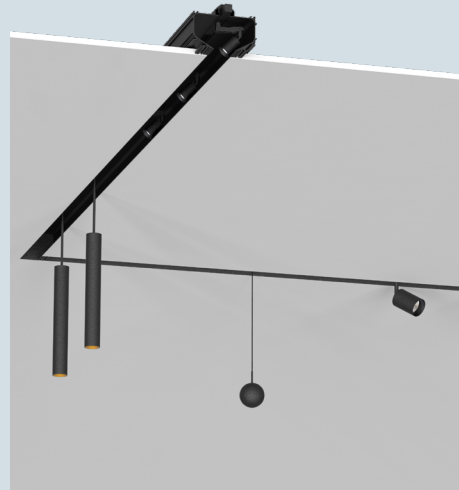


CLICKTRACK 50 TRIMLESS SYSTEM SPECIFICATION SHEET

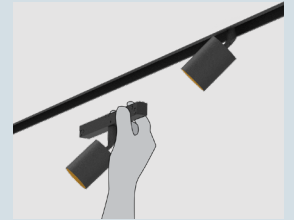
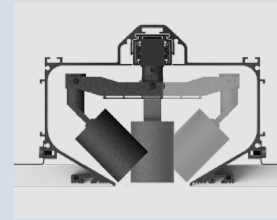
PROJECT	_____
TYPE	_____
NOTES	_____
QUANTITY	_____
DATE	_____



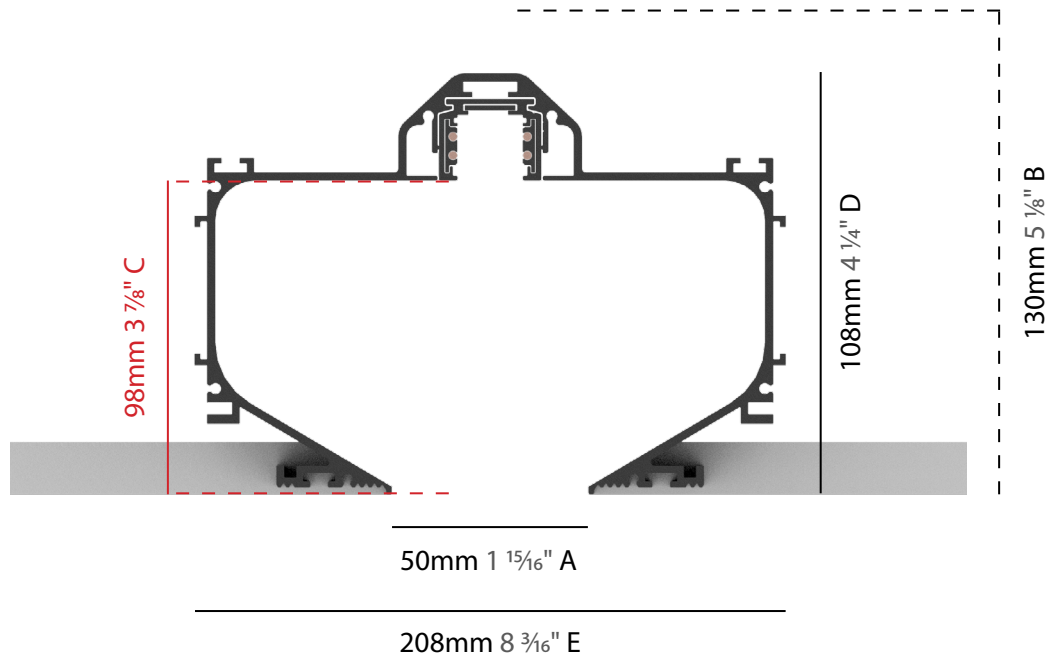
ARCHITECTURAL | CLICKTRACK

CLICKTRACK 50 is an elegant borderless profile system for a variety of lighting tasks. Thanks to the new click system, the fully adjustable CENTRIQ spots and all other inserts can be easily mounted in the track, fully concealed, without the use of any tools. Powerline communication allows full DALI control of every single luminaire installed. Clicktrack 50 can be installed in ceilings and walls. A sophisticated multi-axis system allows any adjustment of the hidden and fully integrated spots.

The cable of the pendants variants can be flexibly shortened or extended at any time. The multiple inserts options for either diffused or targeted light allow a wide range of lighting concepts, for living areas, in retail, for hotels or in public buildings.



SYSTEM PROFILE



A: Opening width | B: Recess depth | C: Opening depth
D: Profile height | E: Width including mounting brackets

CLICKTRACK 50 TRIMLESS SYSTEM SPECIFICATION SHEET

PROJECT _____

TYPE _____

NOTES _____

QUANTITY _____

DATE _____

SYSTEM GUIDE

UPON REQUEST Additional Options _____

Color Temperature _____

RGB-W / Tunable _____

Lumen Outputs _____

Beam Angle _____

Special LED _____

CRI _____



To make your product selection and complete system specification, proceed with the following: review system options, create your system code in the field below and include your quantity. For the inserts and components, use the field beside each product name. Submit to quotes@zaneen.com to receive a formal BOM and finalized model numbers.

EXAMPLE A3CLK50-TRI-SYS-UNV-DN-1'-S

SYSTEM BUILD CODE: A3CLK50-TRI-SYS-_____ qty

ELECTRICAL	Voltage	Dimming	Circuit
	UNV - 120/277V	DN - Non Dim	EMCIR - Emergency Circuit
	120 - 120V	DP - Phase Dim (Triac/ELV)	
	347 - 347V	DV - 0-10V (100-1%)	
		DD - DALI (100-1%)	

LAYOUT	Fixture Head Spacing	Run Shapes
	1' - on center	S _____ ' Straight
	2' - on center	L _____ 'x _____ '
	4' - on center	U _____ 'x _____ 'x _____ '
	CUS (XX) - Custom	R _____ 'x _____ ' Rectangle
	<small>Spotlights - Minimum distance of 7"</small>	

INSERTS	CENTRIQ		INSERT BUILD CODE EXAMPLE: A3T097-DN-27K-01-01-24		FINISHES OPTIONS: See page 11 for color options and use 2 digit numbers to indicate your choices		qty					
	<p>CENTRIQ Ø30 Wattage: 4.3W</p>	A3T097-	Dimming	CCT - 90 CRI	Finish	Reflector	Delivered Lumen (lm)					
DN - Non Dim							27K - 2700K	◆ _____	24 - 24°	CCT	24°	32°
DP - Phase Dim							30K - 3000K	▲ _____		2700K	257	230
DV - 0-10V							35K - 3500K	(28 colors)		3000K	272	244
			40K - 4000K			3500K	289	259				
						4000K	295	264				
<p>CENTRIQ Ø40 SUPERSPOT Wattage: 6.3W</p>	A3T092-	Dimming	CCT - 90 CRI	Finish	Reflector	Delivered Lumen (lm)						
						DN - Non Dim	27K - 2700K	◆ _____	12 °	CCT		
						DP - Phase Dim	30K - 3000K	▲ _____		2700K	368	
						DV - 0-10V	35K - 3500K	(28 colors)		3000K	389	
	40K - 4000K		3500K	414								
						4000K	422					

PROJECT	_____
TYPE	_____
NOTES	_____
QUANTITY	_____
DATE	_____

INSERTS

CENTRIQ

FINISHES OPTIONS:

See page 11 for color options and use 2 digit numbers to indicate your choices

CENTRIQ Ø40	A3T093-	Dimming	CCT - 90 CRI	Finish	Reflector	Delivered Lumen (lm)									
						CCT	22°	30°	34°	38°	48°				
Wattage: 6.5W															
	DN - Non Dim DP - Phase Dim DV - 0-10V		27K -2700K 30K - 3000K 35K - 3500K 40K - 4000K	◆ ___ ▲ ___ (28 colors)	22 - 22° 30 - 30° 34 - 34° 38 - 38° 48 - 48°	2700K	489	471	357	452	444				
						3000K	512	493	374	472	465				
						3500K	564	544	412	520	513				
						4000K	575	555	420	531	523				

CENTRIQ Ø55 SUPERSPOT	A3T094-	Dimming	CCT - 90 CRI	Finish	Reflector	Delivered Lumen (lm)	
						CCT	8°
Wattage: 9.3W							
	DN - Non Dim DP - Phase Dim DV - 0-10V		27K -2700K 30K - 3000K 35K - 3500K 40K - 4000K	◆ ___ ▲ ___ (28 colors)		2700K	477
						3000K	505
						3500K	536
						4000K	547

CENTRIQ Ø55	A3T095-	Dimming	CCT - 90 CRI	Finish	Reflector	Delivered Lumen (lm)								
						CCT	18°	26°	34°	36°	52°			
Wattage: 11.5W														
	DN - Non Dim DP - Phase Dim DV - 0-10V		27K -2700K 30K - 3000K 35K - 3500K 40K - 4000K	◆ ___ ▲ ___ (28 colors)	18 - 18° 26 - 26° 34 - 34° 36 - 36° 52 - 52°	2700K	750	643	772	804	818			
						3000K	784	673	807	841	856			
						3500K	815	700	839	874	890			
						4000K	832	714	856	892	908			

CENTRIQ HOLLOW

CENTRIQ HOLLOW Ø30	A3T096-	Dimming	CCT - 90 CRI	Finish	Reflector	Delivered Lumen (lm)		
						CCT	24°	32°
Wattage: 4.3W								
	DN - Non Dim DP - Phase Dim DV - 0-10V		27K -2700K 30K - 3000K 35K - 3500K 40K - 4000K	◆ ___ (28 colors)	24 - 24° 32 - 32°	2700K	257	230
						3000K	272	244
						3500K	289	259
						4000K	295	264

CLICKTRACK 50 TRIMLESS SYSTEM SPECIFICATION SHEET

PROJECT	_____
TYPE	_____
NOTES	_____
QUANTITY	_____
DATE	_____

HANGOVER (fabric cable)

FINISHES OPTIONS:

See page 11 for color options and use 2 digit numbers to indicate your choices

INSERTS

Ø40 H:150	A3T129-							qty			
	Wattage: 9.8W	Dimming	CCT - 90 CRI	Finish	Reflector	Shine Ring	Cable (Color/Length)	Delivered Lumen (lm)			
		DN - Non Dim	27K - 2700K	◆ _____	40 - 40°	 (6 colors) No shine ring: indicate with 00	T _____ (2 digit number below)	CCT	40°	52°	
DP - Phase Dim		30K - 3000K	▲ _____	52 - 52°	2700K			694	684		
DV - 0-10V		35K - 3500K	(28 colors)	Color	2000m			6000m	3000K	726	716
40K - 4000K		White	21	61	3500K			753	742		
							4000K	770	759		
							Black	22	62		
							Orange	23	63		
							Red	24	64		

Ø40 H:300	A3T130-							qty			
	Wattage: 11.5W	Dimming	CCT - 90 CRI	Finish	Reflector	Shine Ring	Cable (Color/Length)	Delivered Lumen (lm)			
		DN - Non Dim	27K - 2700K	◆ _____	40 - 40°	 (6 colors) No shine ring: indicate with 00	T _____ (2 digit number below)	CCT	40°	52°	
DP - Phase Dim		30K - 3000K	▲ _____	52 - 52°	2700K			694	684		
DV - 0-10V		35K - 3500K	(28 colors)	Color	2000m			6000m	3000K	726	716
40K - 4000K		White	21	61	3500K			753	742		
							4000K	770	759		
							Black	22	62		
							Orange	23	63		
							Red	24	64		

Ø40 H:450	A3T131-							qty			
	Wattage: 11.5W	Dimming	CCT - 90 CRI	Finish	Reflector	Shine Ring	Cable (Color/Length)	Delivered Lumen (lm)			
		DN - Non Dim	27K - 2700K	◆ _____	40 - 40°	 (6 colors) No shine ring: indicate with 00	T _____ (2 digit number below)	CCT	40°	52°	
DP - Phase Dim		30K - 3000K	▲ _____	52 - 52°	2700K			694	684		
DV - 0-10V		35K - 3500K	(28 colors)	Color	2000m			6000m	3000K	726	716
40K - 4000K		White	21	61	3500K			753	742		
							4000K	770	759		
							Black	22	62		
							Orange	23	63		
							Red	24	64		

Ø75 H:150	A3T135-							qty				
	Wattage: 9.8W	Dimming	CCT - 90 CRI	Finish	Reflector	Shine Ring	Cable (Color/Length)	Delivered Lumen (lm)				
		DN - Non Dim	27K - 2700K	◆ _____	18 - 18°	 (6 colors) No shine ring: indicate with 00	T _____ (2 digit number below)	CCT	18°	36°	56°	
DP - Phase Dim		30K - 3000K	▲ _____	36 - 36°	2700K			857	855	851		
DV - 0-10V		35K - 3500K	(28 colors)	Color	2000m			6000m	3000K	896	894	890
40K - 4000K		White	21	61	3500K			930	927	923		
							4000K	951	948	944		
							Black	22	62			
							Orange	23	63			
							Red	24	64			

CLICKTRACK 50 TRIMLESS SYSTEM SPECIFICATION SHEET

HANGOVER (fabric cable)

FINISHES OPTIONS:

See page 11 for color options and use 2 digit numbers to indicate your choices

INSERTS

Ø75 H:150 DIR/IND	A3T136-							qty					
	Wattage: 19.5W	Dimming	CCT - Direct	CCT - Indirect	Finish	Reflector	Shine Ring	Cable (Color/Length)		Delivered Lumen (lm)			
		DN - Non Dim DP - Phase Dim DV - 0-10V	27K -2700K 30K - 3000K 35K - 3500K 40K - 4000K	27K -2700K 30K - 3000K 40K - 4000K	◆ ____ ▲ ____ (28 colors)	18 - 18° 36 - 36° 56 - 56°	○ ____ (6 colors) No shine ring: indicate with 00	T ____ (2 digit number below) Color 2000m 6000m White 21 61 Black 22 62 Orange 23 63 Red 24 64	CCT 18° 36° 56° 27K/27K 1696 1692 1690 30K/30K 1771 1768 1765 35K/30K 1798 1795 1792 40K/40K 1833 1829 1826				

Ø75 H:300	A3T137-							qty				
	Wattage: 9.8W	Dimming	CCT - 90 CRI	Finish	Reflector	Shine Ring	Cable (Color/Length)		Delivered Lumen (lm)			
		DN - Non Dim DP - Phase Dim DV - 0-10V	27K -2700K 30K - 3000K 35K - 3500K 40K - 4000K	◆ ____ ▲ ____ (28 colors)	18 - 18° 36 - 36° 56 - 56°	○ ____ (6 colors) No shine ring: indicate with 00	T ____ (2 digit number below) Color 2000m 6000m White 21 61 Black 22 62 Orange 23 63 Red 24 64	CCT 18° 36° 56° 2700K 857 855 851 3000K 896 894 890 3500K 930 927 923 4000K 951 948 944				

Ø75 H:300 DIR/IND	A3T138-							qty					
	Wattage: 19.5W	Dimming	CCT - Direct	CCT - Indirect	Finish	Reflector	Shine Ring	Cable (Color/Length)		Delivered Lumen (lm)			
		DN - Non Dim DP - Phase Dim DV - 0-10V	27K -2700K 30K - 3000K 35K - 3500K 40K - 4000K	27K -2700K 30K - 3000K 40K - 4000K	◆ ____ ▲ ____ (28 colors)	18 - 18° 36 - 36° 56 - 56°	○ ____ (6 colors) No shine ring: indicate with 00	T ____ (2 digit number below) Color 2000m 6000m White 21 61 Black 22 62 Orange 23 63 Red 24 64	CCT 18° 36° 56° 27K/27K 1696 1692 1690 30K/30K 1771 1768 1765 35K/30K 1798 1795 1792 40K/40K 1833 1829 1826				

HANGOVER PLUG (wired cable)

Ø28 H:150	A3T120-							qty				
	Wattage: 6.4W	Dimming	CCT - 90 CRI	Finish	Reflector	Shine Ring	Cable (Color/Length)		Delivered Lumen (lm)			
		DN - Non Dim DP - Phase Dim DV - 0-10V	27K -2700K 30K - 3000K 35K - 3500K 40K - 4000K	◆ ____ ▲ ____ (28 colors)	20 - 20° 26 - 26° 56 - 56°	○ ____ (6 colors) No shine ring: indicate with 00	T ____ (2 digit number below) Color 2000m 4000m Black 01 02 White 03 04 Orange 05 06 Red 07 08 Green 09 10	CCT 20° 26° 56° 2700K 403 397 381 3000K 427 420 404 3500K 451 443 426 4000K 463 455 438				

CLICKTRACK 50 TRIMLESS SYSTEM SPECIFICATION SHEET

PROJECT	_____
TYPE	_____
NOTES	_____
QUANTITY	_____
DATE	_____

INSERTS

HANGOVER PLUG (wired cable)

FINISHES OPTIONS:

See page 11 for color options and use 2 digit numbers to indicate your choices

Ø28 H:300	A3T121-							qty					
		Wattage: 6.4W	Dimming	CCT - 90 CRI	Finish	Reflector	Shine Ring	Cable (Color/Length)		Delivered Lumen (lm)			
	DN - Non Dim	27K - 2700K	◆	20 - 20°	○	(6 colors) No shine ring: indicate with 00	T ____ (2 digit number below)		CCT	20°	26°	56°	
	DP - Phase Dim	30K - 3000K	▲	26 - 26°	(6 colors) No shine ring: indicate with 00		Color 2000m 4000m		2700K	403	397	381	
	DV - 0-10V	35K - 3500K 40K - 4000K	(28 colors)	56 - 56°			Black	01	02	3000K	427	420	404
							White	03	04	3500K	451	443	426
							Orange	05	06		4000K	463	455
							Red	07	08	Green		09	10

Ø28 H:450	A3T122-							qty					
		Wattage: 6.4W	Dimming	CCT - 90 CRI	Finish	Reflector	Shine Ring	Cable (Color/Length)		Delivered Lumen (lm)			
	DN - Non Dim	27K - 2700K	◆	20 - 20°	○	(6 colors) No shine ring: indicate with 00	T ____ (2 digit number below)		CCT	20°	26°	56°	
	DP - Phase Dim	30K - 3000K	▲	26 - 26°	(6 colors) No shine ring: indicate with 00		Color 2000m 4000m		2700K	403	397	381	
	DV - 0-10V	35K - 3500K 40K - 4000K	(28 colors)	56 - 56°			Black	01	02	3000K	427	420	404
							White	03	04	3500K	451	443	426
							Orange	05	06		4000K	463	455
							Red	07	08	Green		09	10

Ø40 H:150	A3T132-							qty				
		Wattage: 9.8W	Dimming	CCT - 90 CRI	Finish	Reflector	Shine Ring	Cable (Color/Length)		Delivered Lumen (lm)		
	DN - Non Dim	27K - 2700K	◆	40 - 40°	○	(6 colors) No shine ring: indicate with 00	T ____ (2 digit number below)		CCT	40°	52°	
	DP - Phase Dim	30K - 3000K	▲	52 - 52°	(6 colors) No shine ring: indicate with 00		Color 2000m 4000m		2700K	694	684	
	DV - 0-10V	35K - 3500K 40K - 4000K	(28 colors)	52 - 52°			Black	01	02	3000K	726	716
							White	03	04	3500K	753	742
							Orange	05	06		4000K	770
							Red	07	08	Green		09

Ø40 H:300	A3T133-							qty				
		Wattage: 9.8W	Dimming	CCT - 90 CRI	Finish	Reflector	Shine Ring	Cable (Color/Length)		Delivered Lumen (lm)		
	DN - Non Dim	27K - 2700K	◆	40 - 40°	○	(6 colors) No shine ring: indicate with 00	T ____ (2 digit number below)		CCT	40°	52°	
	DP - Phase Dim	30K - 3000K	▲	52 - 52°	(6 colors) No shine ring: indicate with 00		Color 2000m 4000m		2700K	694	684	
	DV - 0-10V	35K - 3500K 40K - 4000K	(28 colors)	52 - 52°			Black	01	02	3000K	726	716
							White	03	04	3500K	753	742
							Orange	05	06		4000K	770
							Red	07	08	Green		09

CLICKTRACK 50 TRIMLESS SYSTEM SPECIFICATION SHEET

PROJECT	_____
TYPE	_____
NOTES	_____
QUANTITY	_____
DATE	_____

HANGOVER PLUG (wired cable)

FINISHES OPTIONS:

See page 11 for color options and use 2 digit numbers to indicate your choices

INSERTS

Ø40 H:450	A3T134-						qty				
	Wattage: 9.8W	Dimming	CCT - 90 CRI	Finish	Reflector	Shine Ring	Cable (Color/Length)	Delivered Lumen (lm)			
	DN - Non Dim	27K -2700K	◆ _____	40 - 40°	○ _____	T _____ (2 digit number below) Color 2000m 4000m Black 01 02 White 03 04 Orange 05 06 Red 07 08 Green 09 10	(6 colors) No shine ring: indicate with 00	CCT 40° 52° 2700K 694 684 3000K 726 716 3500K 753 742 4000K 770 759			
	DP - Phase Dim	30K - 3000K	▲ _____	52 - 52°							
	DV - 0-10V	35K - 3500K	(28 colors)								
		40K - 4000K									

Ø75 H:150	A3T139-						qty				
	Wattage: 6.4W	Dimming	CCT - 90 CRI	Finish	Reflector	Shine Ring	Cable (Color/Length)	Delivered Lumen (lm)			
	DN - Non Dim	27K -2700K	◆ _____	6 - 6°	○ _____	T _____ (2 digit number below) Color 2000m 4000m Black 01 02 White 03 04 Orange 05 06 Red 07 08 Green 09 10	(6 colors) No shine ring: indicate with 00	CCT 6° 22° 38° 2700K 389 335 371 3000K 412 355 393 3500K 435 375 415 4000K 447 385 426			
	DP - Phase Dim	30K - 3000K	▲ _____	22 - 22°							
	DV - 0-10V	35K - 3500K	(28 colors)	38 - 38°							
		40K - 4000K									

Ø75 H:150 DIR/IND	A3T140-						qty					
	Wattage: 9.6W	Dimming	CCT - Direct	CCT - Indirect	Finish	Reflector	Shine Ring	Cable (Color/Length)	Delivered Lumen (lm)			
	DN - Non Dim	27K -2700K	27K -2700K	◆ _____	6 - 6°	○ _____	T _____ (2 digit number below) Color 2000m 4000m Black 01 02 White 03 04 Orange 05 06 Red 07 08 Green 09 10	(6 colors) No shine ring: indicate with 00	CCT 6° 22° 38° 27K/27K 712 656 691 30K/30K 750 690 728 35K/30K 770 709 748 40K/40K 793 730 770			
	DP - Phase Dim	30K - 3000K	30K - 3000K	▲ _____	22 - 22°							
	DV - 0-10V	35K - 3500K	40K - 4000K	(28 colors)	38 - 38°							
		40K - 4000K										

ACCESSORY

INDIRECT DIFFUSER	A380106-						qty		
	Finish						Indirect diffuser accessory for Hangover and Hangover Plug Ø75mm.		
	_____ (5 colors - choose 3 letter code below)								
	Yellow - YEL	Orange - ORA	Red - RED	Blue - BLU	Green - GRN				

CLICKTRACK 50 TRIMLESS SYSTEM SPECIFICATION SHEET

PROJECT	_____
TYPE	_____
NOTES	_____
QUANTITY	_____
DATE	_____

INSERTS

HANGOVER PLUG MICRO-DOT

FINISHES OPTIONS:

See page 11 for color options and use 2 digit numbers to indicate your choices

Ø28 H:150	A3T117-				qty						
		Wattage: 6.4W	Dimming	CCT - 90 CRI	Reflector	Cable (Color/Length)	Delivered Lumen (lm)				
	DN - Non Dim	27K -2700K	◆ ___	32 - 32°	T ___ (2 digit number below) Color 2000m 4000m Black 01 02 White 03 04 Orange 05 06 Red 07 08 Green 09 10	CCT	32°	58°			
	DP - Phase Dim	30K - 3000K	▲ ___	58 - 58°					2700K	283	310
	DV - 0-10V	35K - 3500K	(28 colors)						3000K	300	328
		40K - 4000K							3500K	317	347
									4000K	325	356

Ø28 H:300	A3T118-				qty						
		Wattage: 6.4W	Dimming	CCT - 90 CRI	Reflector	Cable (Color/Length)	Delivered Lumen (lm)				
	DN - Non Dim	27K -2700K	◆ ___	32 - 32°	T ___ (2 digit number below) Color 2000m 4000m Black 01 02 White 03 04 Orange 05 06 Red 07 08 Green 09 10	CCT	32°	58°			
	DP - Phase Dim	30K - 3000K	▲ ___	58 - 58°					2700K	283	310
	DV - 0-10V	35K - 3500K	(28 colors)						3000K	300	328
		40K - 4000K							3500K	317	347
									4000K	325	356

Ø28 H:450	A3T119-				qty						
		Wattage: 6.4W	Dimming	CCT - 90 CRI	Reflector	Cable (Color/Length)	Delivered Lumen (lm)				
	DN - Non Dim	27K -2700K	◆ ___	32 - 32°	T ___ (2 digit number below) Color 2000m 4000m Black 01 02 White 03 04 Orange 05 06 Red 07 08 Green 09 10	CCT	32°	58°			
	DP - Phase Dim	30K - 3000K	▲ ___	58 - 58°					2700K	283	310
	DV - 0-10V	35K - 3500K	(28 colors)						3000K	300	328
		40K - 4000K							3500K	317	347
									4000K	325	356

CLICKTRACK 50 TRIMLESS SYSTEM SPECIFICATION SHEET

PROJECT	_____
TYPE	_____
NOTES	_____
QUANTITY	_____
DATE	_____

SNOOKER

FINISHES OPTIONS:

See page 11 for color options and use 2 digit numbers to indicate your choices

INSERTS

SNOOKER	A3T090-						qty				
	Wattage: 6.4W	Dimming	CCT - 90 CRI	Finish	Reflector	Cable (Color/Length)	Delivered Lumen (lm)				
	DN - Non Dim DP - Phase Dim DV - 0-10V	27K -2700K 30K - 3000K 35K - 3500K 40K - 4000K	◆ _____ (28 colors)	32 - 32° 58 - 58°	T _____ (2 digit number below)	CCT 32° 58°					
						2700K 283 310					
						Color	2000m	4000m	3000K 300 328		
						Black	01	02	3500K 317 347		
						White	03	04	4000K 325 356		
Orange	05	06									
Red	07	08									
Green	09	10									

SNOOKER SHINE	A3T091-						qty				
	Wattage: 6.4W	Dimming	CCT - 90 CRI	Finish	Reflector	Shine Ring	Cable (Color/Length)	Delivered Lumen (lm)			
	DN - Non Dim DP - Phase Dim DV - 0-10V	27K -2700K 30K - 3000K 35K - 3500K 40K - 4000K	◆ _____ (28 colors)	32 - 32° 58 - 58°	○ _____ (6 colors)	CCT 32° 58°					
						2700K 283 310					
						Color	2000m	4000m	3000K 300 328		
						Black	01	02	3500K 317 347		
						White	03	04	4000K 325 356		
Orange	05	06									
Red	07	08									
Green	09	10									

CLICKTRACK 50 TRIMLESS SYSTEM SPECIFICATION SHEET

PROJECT	_____
TYPE	_____
NOTES	_____
QUANTITY	_____
DATE	_____

SYSTEM SUMMARY

System

Type

Trimless (Non-IC type)
Rated for Dry Locations Ceiling and Wall Mounted

Approval Status

Certified to North American Standards

Emission

Refer to emission icon beside each light insert and symbol legend for descriptions

Profile

Measurement

w 208mm (8 1/8") x ht. 108mm (4 1/4")

Housing

Anodized extruded aluminum profile available per meter and field-cuttable
Profiles have a maximum length of 3000mm (9' 10 3/8") and joined together with couplers to ensure uniform appearance and easy installation

Cutout

w 110mm (4 3/8") x Profile Length + 8mm (5/16")

Drywall Ceiling Thickness

Mounting brackets must be specified considering the ceiling thickness of 10mm (3/8"), 12.5mm (1/2"), 15mm (5/8")

Recessed Depth

h 130mm (5 1/8")

Electrical

Connections

Luminaries are pre-wired by factory

Power Feed

Located in the center of the end cap - 22mm diameter hole

If a different location is required, please specify

A connector is located on one end of the 48V profile channel to carry the electrical power from the supply unit - there is 165mm (6 1/2") of unusable space for inserts from the end cap

3 Wires - non-dimming or phase dimming

4 Wires - two circuits of non-dimming or phase dimming

5 Wires - 0-10V dimming or dali dimming

LED Driver

Driver must be remote with supplied enclosure.

Maximum distance between the power supply and the last fixture on the circuit is 30' using a 18-gauge wire. For more than 30', the gauge of the wire must be determined by a certified professional. The length of the fixture specified must be considered within the maximum distance of 3'. Provisions must be made on site for accessibility to the power supplies.

Electronic Class 2 driver, Universal 120V/277V

Non Dimming Driver, Dimming Driver 0-10V (10-100%)

Consult factory for driver cutsheet

If a different driver is required, please specify

Emergency Inverter Compatible

To be installed remotely, and provided by others

It can be located up to 250m away from the fixture

Emergency circuit wiring is available upon request (Isolated track with dedicated driver used for emergency circuit will connect to emergency battery pack - supplied by others)

General

Features

A sophisticated multi-axis system allows any adjustment of the hidden and fully integrated spots

LFO lenses ensure a glare free downlight without illuminating the luminaries housing and the lowest UGR ratings perfect for residential and hospitality applications

All spots are mounted simply by clicking them into the track, without the need for tools. The cable of the pendants can be flexibly shortened or extended at any time

The snooker and hangover plug inserts can be altered, swapped, and adjusted in the field to create playful atmospheres that changes with the surrounding environment

Custom Requests and Additional Options

Availability depends by insert, system, and configuration

Must consult factory and allow up to 5 business days for an answer

Special beam angles, individual sizes, special LEDs, RGB-W, tunable, light inserts with different outputs

Special LEDs optimize luminaries to meet different applications

Gold+ invokes a heavy golden tone intended for bread and pastries

Meat+ displays saturated red light (white parts of product will appear slightly red)

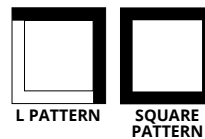
Art+ highlights pieces of art without adversely affecting the perception of individual colors

Fashion+ has the entire color spectrum brilliantly orchestrated without distorting the color temperature

Configuration

Consult factory for patterns or custom designs

Provide configuration drawings



*Shop drawings provided upon receiving purchase order

Warranty

ZANEEN provides a limited warranty from date of purchase to original purchaser

LED Inserts: 5 year tested for 50,000 hours at 70% lumen output (L70)

LED Driver: 5 year

Non-Electrical Components: 1 year

*Check boxes to complete specification order and submit to quotes@zaneen.com to receive a formal BOM and a finalized model number

*In a constant effort to supply the best product, we reserve the right to change specifications or materials without notice. The most recent specification sheets are found at zaneen.com

CLICKTRACK 50 TRIMLESS SYSTEM SPECIFICATION SHEET

PROJECT _____
 TYPE _____
 NOTES _____
 QUANTITY _____
 DATE _____

FINISH COLORS



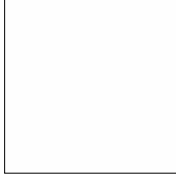
Sparkling Silver - 01



Black Velvet - 02



Crystal White - 03



Creamy - 04



Hampton Bay - 05



Urban Forest - 07



In the Army - 08



Rusty Angel - 09



Fade to Grey - 12



Mysterious Grey - 13



Lost Dream - 15



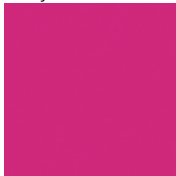
Purple Sky - 16



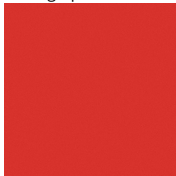
Fresh Oh - 17



Funky P - 18



Kissing Aphrodite - 19



Poseidon's Paradise - 20



Blue Sky - 21



Spring Green - 22



Mellow Yellow - 23



Golden Heart - 24



Gun Metal - 25



Champagne Cream - 26



Copper Mine - 27



Ancient Bronze - 28



Jazz Gold - 29



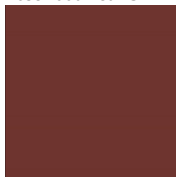
Olive Breeze - 30



Moonlight Silver - 31



Rosewood Red - 32



SHINE RING



Opal - 01



Yellow - 02



Orange - 03



Red - 04



Blue - 05



Green - 06



Digital: Not all screens are calibrated the same, and therefore, colors will appear differently between screens.

Physical: When texture is involved, there will be variations in color, character and tone within a product series and between product families.

Gun Metal: No Gun Metal finish is alike. It combines a mixture of transparent and black color particles which ensures a highly individual effect and no luminaire being identical.

Champagne Cream, Copper Mine, Ancient Bronze + Jazz Gold: These finishes have slight fading from specific powder coating production. Each luminaire will slightly vary.

RAL Color Upon Request



LEGEND

	floor-mounted		pivotal		special LED (upon request) RGB, RGBW, tunable, gold+, meat+, art+, fashion+
	wall and ceiling: recessed and surface mounted		rotating		warm dim / natural dimming LED
	ceiling-mounted and wall-mounted		illuminate tilted		rechargeable battery powered
	wall-mounted		color of suspension cable		fixture with natural vivid LED (upon request)
	omni-directional light distribution		length of suspension cable		color rendering index
	direct light distribution		reflector degree selection		color temperature
	direct/indirect light distribution		super spot		lumen (luminous flux)
	indirect light distribution		lens		efficacy (lumens per watt)
	asymmetric light distribution		lens pack		Unified Glare Rating (UGR) range from 5-40
	aura light distribution		shine ring		marine grade (AISI 316 stainless steel)
	round wall or ceiling cut-out		integrated shine ring with diffuser		walk on
	square wall or ceiling cut-out		free individual colors 01-29		drive on
	the supplied jig specifies the cutout dimensions		individual colors: 00 (free of charge), 01-25 (extra charge)		Dark Sky Compliance
	minimum distance (meters) lamp - object		luminaire part to be colored (F1)		Americans with Disabilities Act (less than 4" off the wall located between 27"-84" from floor)
	recessed depth		luminaire part to be colored (F2)		lamp protected against explosion
	ceiling thickness in mm		luminaire part to be colored (F3)		blown glass using traditional methods by master glass blower
	ceiling thickness selection		luminaire part to be colored (F4)		acoustic material
	dimmable DP (phase), DV (0-10V), DD (dali), DS (step-dim)		luminaire part to be colored (F5)		protection class I, protection insulation
	included or excluded LED driver/transformer/control gear		color of 3-circuit adaptor		protection class II, protection insulation
	separately switchable		indirect diffuser		ETL Certified to UL and CSA Standards
	sensor		direct diffuser		UL Certified to UL and CSA Standards
	remote control		ball-proof (upon request)		CSA Certified to UL and CSA Standards
	available upon request		accessory		Certified for North American Standards

IP RATING

	protected against ingress of solid bodies greater than 12.5mm (finger)
	protected against ingress of solid bodies greater than 2.5mm protected against sprays of water up to 60 degrees from the vertical (rain)
	protected against ingress of solid bodies greater than 1mm (wire) no protection against the ingress of moisture
	protected against ingress of solid bodies greater than 1mm (wire) protected against sprays of water up to 60 degrees from the vertical (rain)
	protected against ingress of solid bodies greater than 1mm (wire) protected against water splashed from all directions
	protected against limited ingress of dust (wet rooms/covered outdoor areas) protected against water splashed from all directions
	protected against ingress of dust protected against jets of water
	protected against ingress of dust protected against powerful jets of water or heavy seas
	protected against ingress of dust protected against immersion of water between 15cm - 1m for 30 minutes
	protected against ingress of dust protected against immersion of water under pressure for long periods

IK RATING

	protected against 0.14 joules impact (equivalent to 0.25kg mass dropped from 56mm above the surface)
	protected against 0.2 joules impact (equivalent to 0.25kg mass dropped from 80mm above the surface)
	protected against 0.35 joules impact (equivalent to 0.25kg mass dropped from 140mm above the surface)
	protected against 0.5 joules impact (equivalent to 0.25kg mass dropped from 200mm above the surface)
	protected against 0.7 joules impact (equivalent to 0.25kg mass dropped from 280mm above the surface)
	protected against 1 joules impact (equivalent to 0.25kg mass dropped from 400mm above the surface)
	protected against 2 joules impact (equivalent to 0.5kg mass dropped from 400mm above the surface)
	protected against 5 joules impact (equivalent to 1.7kg mass dropped from 300mm above the surface)
	protected against 10 joules impact (equivalent to 5.0kg mass dropped from 200mm above the surface)
	protected against 20 joules impact (equivalent to 5.0kg mass dropped from 400mm above the surface)

WIRING DIAGRAMS

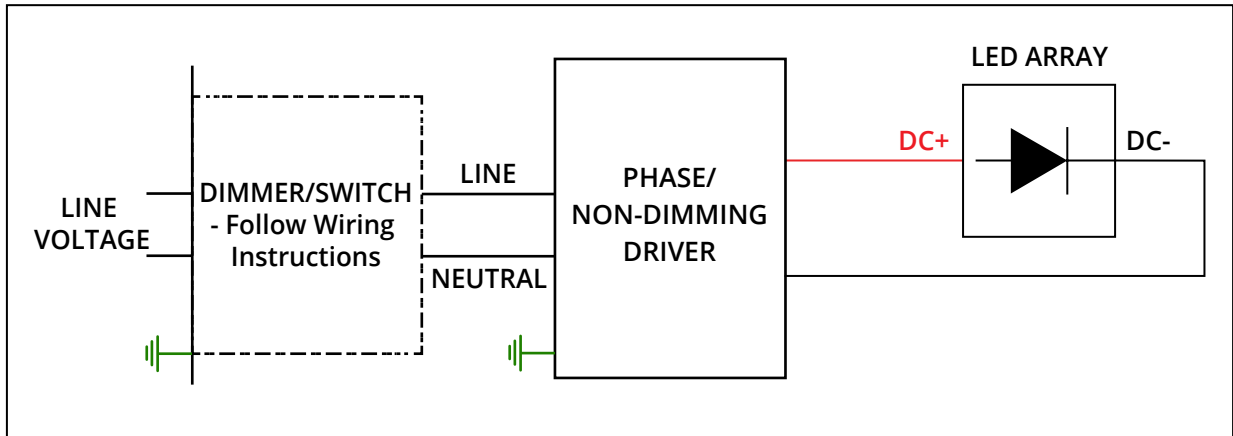
ALL ZANEEN FIXTURES ARE MANUFACTURED TO NORTH AMERICAN ELECTRICAL STANDARDS

Post Sales Support
HQ 1-800-388-3382 X 625 support@zaneen.com

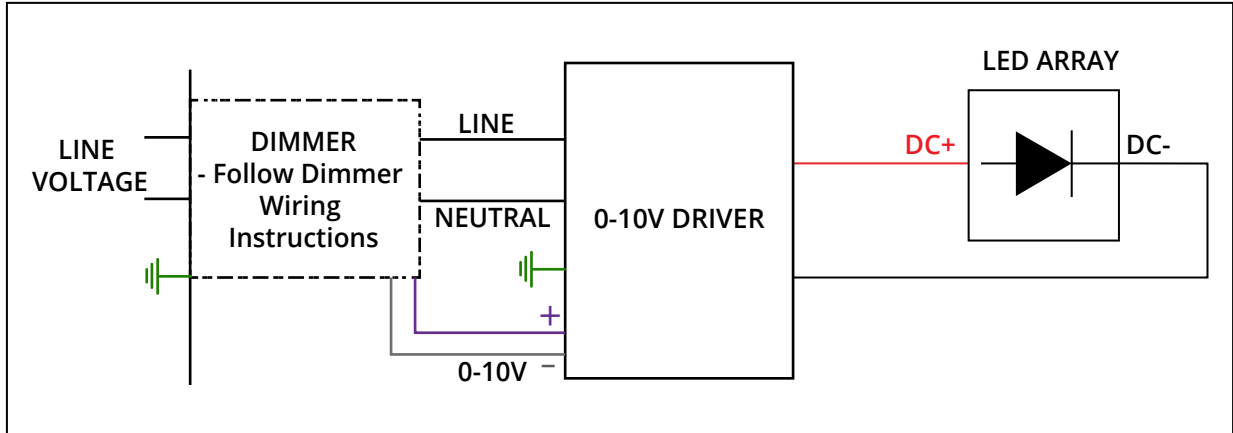
IMPORTANT

- Do NOT connect directly to line voltage
- There is a minimum and maximum load per driver (See fixture and driver specifications).
- Fixture MUST be connected to LED driver, prior to turning power on

PHASE/NON-DIMMING WIRING DIAGRAM



0-10V DIMMING WIRING DIAGRAM



CLICKTRACK 50 TRIMLESS SYSTEM SPECIFICATION SHEET

PROJECT _____
TYPE _____
NOTES _____
QUANTITY _____
DATE _____

Insert custom drawing here or attach with additional pages

