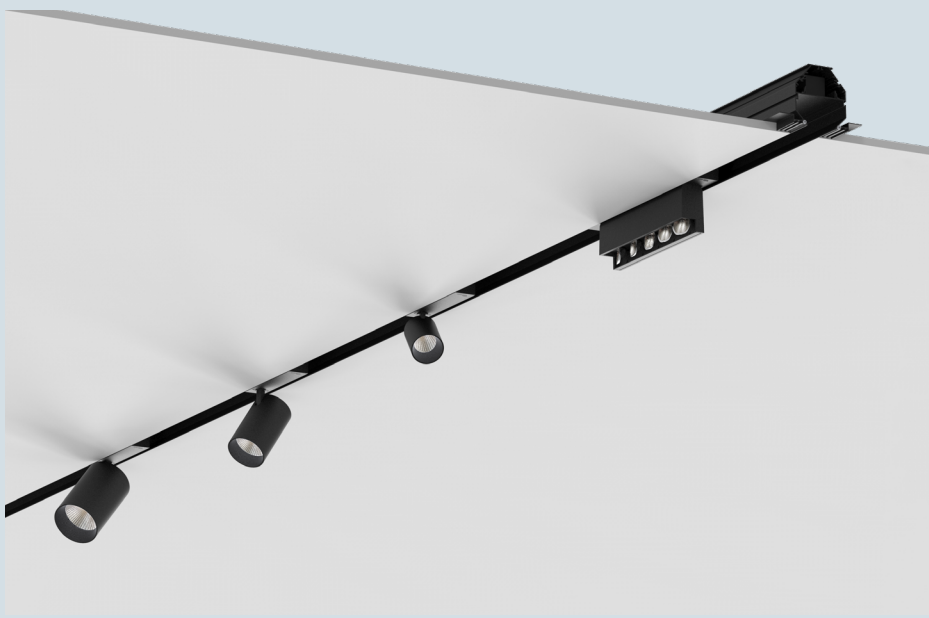


## 2LOOK4 50 TRACK TRIMLESS SYSTEM SPECIFICATION SHEET

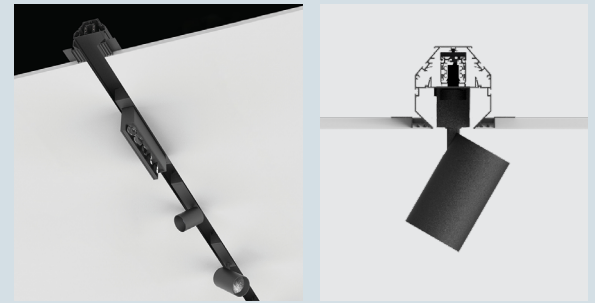
PROJECT	_____
TYPE	_____
NOTES	_____
QUANTITY	_____
DATE	_____



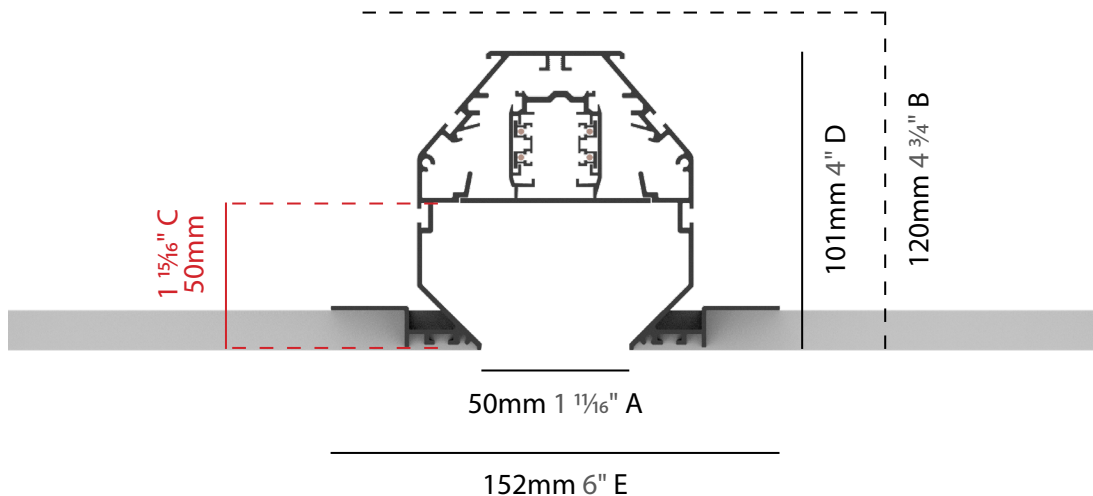
### ARCHITECTURAL | 2LOOK4 50 TRACK

The 2LOOK4 50 TRACK profile system is characterized by the typical razor-sharp, minimalist design. In the recessed 120V rail, the driver housing for the track lights is flush with the ceiling. With the MAGIQ PLUS WALLWASH inserts and the CENTRIQ IN and OIKO PRO IN spotlights, the 2LOOK4 50 TRACK system meets even the most complex lighting concept requirements.

To compensate for on-site tolerances the Magiq Plus Wallwasher can be adjusted in increments of 5° to a max. of 15° to the vertical - necessary for long shelves or corridors.



### SYSTEM PROFILE



A: Opening width | B: Recess depth | C: Opening depth  
D: Profile height | E: Width including mounting brackets



PROJECT	_____
TYPE	_____
NOTES	_____
QUANTITY	_____
DATE	_____

INSERTS

### CENTRIQ IN

**FINISHES OPTIONS:**

See page 9 for color options and use 2 digit numbers to indicate your choices

CENTRIQ IN SUPERSPOT Ø65 TW		A3xxxx-		qty	
Wattage: 8.2W		Finish		Optics	
		<ul style="list-style-type: none"> <li>◆ _____</li> <li>▲ _____</li> <li>(28 colors)</li> <li>◻ _____</li> <li>(2 colors)</li> </ul>		<ul style="list-style-type: none"> <li><b>00</b> - No optic</li> <li><b>01</b> - Linear Spread</li> <li><b>02</b> - Spread</li> <li><b>03</b> - Honeycomb</li> </ul>	
				Delivered Lumen (lm)	
				TUNABLE WHITE	
				2700K - 6500K (MAX)	
				12°	564

CENTRIQ IN FLEX Ø65		A3T220-		qty	
Wattage: 21.1W		Dimming		CCT - 90 CRI	
		<ul style="list-style-type: none"> <li><b>DN</b> - Non Dim</li> <li><b>DV</b> - 0-10V</li> </ul>		<ul style="list-style-type: none"> <li><b>27K</b> - 2700K</li> <li><b>30K</b> - 3000K</li> <li><b>35K</b> - 3500K</li> <li><b>40K</b> - 4000K</li> </ul>	
				Finish	
				<ul style="list-style-type: none"> <li>◆ _____</li> <li>▲ _____</li> <li>(28 colors)</li> <li>◻ _____</li> <li>(2 colors)</li> </ul>	
				Delivered Lumen (lm)	
				CCT	14° - 44°
				2700K	1205 - 1127
				3000K	1298 - 1214
				3500K	1376 - 1287
				4000K	1377 - 1288

CENTRIQ IN Ø83		A3T218-		qty	
Wattage: 36.2W		Dimming		CCT - 90 CRI	
		<ul style="list-style-type: none"> <li><b>DN</b> - Non Dim</li> <li><b>DV</b> - 0-10V</li> </ul>		<ul style="list-style-type: none"> <li><b>27K</b> - 2700K</li> <li><b>30K</b> - 3000K</li> <li><b>35K</b> - 3500K</li> <li><b>40K</b> - 4000K</li> </ul>	
				Finish	
				<ul style="list-style-type: none"> <li>◆ _____</li> <li>▲ _____</li> <li>(28 colors)</li> <li>◻ _____</li> <li>(2 colors)</li> </ul>	
				Reflector	
				<ul style="list-style-type: none"> <li><b>20</b> - 20°</li> <li><b>32</b> - 32°</li> <li><b>54</b> - 54°</li> </ul>	
				Optics	
				<ul style="list-style-type: none"> <li><b>00</b> - No optic</li> <li><b>01</b> - Linear Spread</li> <li><b>02</b> - Spread</li> <li><b>03</b> - Honeycomb</li> </ul>	
				Delivered Lumen (lm)	
				CCT	20° 32° 54°
				2700K	2923 3030 2916
				3000K	3044 3156 3037
				3500K	3173 3290 3166
				4000K	3328 3450 3320

CENTRIQ IN Ø83 TW		A3xxxx-		qty	
Wattage: 34.9W		Finish		Reflector	
		<ul style="list-style-type: none"> <li>◆ _____</li> <li>▲ _____</li> <li>(28 colors)</li> <li>◻ _____</li> <li>(2 colors)</li> </ul>		<ul style="list-style-type: none"> <li><b>24</b> - 24°</li> <li><b>34</b> - 34°</li> <li><b>54</b> - 54°</li> </ul>	
				Optics	
				<ul style="list-style-type: none"> <li><b>00</b> - No optic</li> <li><b>01</b> - Linear Spread</li> <li><b>02</b> - Spread</li> <li><b>03</b> - Honeycomb</li> </ul>	
				Delivered Lumen (lm)	
				TUNABLE WHITE	
				2700K - 6500K (MAX)	
				24°	2893
				34°	2907
				54°	2805

CENTRIQ IN SUPERSPOT Ø83		A3T217-		qty	
Wattage: 25.7W		Dimming		CCT - 90 CRI	
		<ul style="list-style-type: none"> <li><b>DN</b> - Non Dim</li> <li><b>DV</b> - 0-10V</li> </ul>		<ul style="list-style-type: none"> <li><b>27K</b> - 2700K</li> <li><b>30K</b> - 3000K</li> <li><b>35K</b> - 3500K</li> <li><b>40K</b> - 4000K</li> </ul>	
				Finish	
				<ul style="list-style-type: none"> <li>◆ _____</li> <li>▲ _____</li> <li>(28 colors)</li> <li>◻ _____</li> <li>(2 colors)</li> </ul>	
				Optics	
				<ul style="list-style-type: none"> <li><b>00</b> - No optic</li> <li><b>01</b> - Linear Spread</li> <li><b>02</b> - Spread</li> <li><b>03</b> - Honeycomb</li> </ul>	
				Delivered Lumen (lm)	
				CCT	12°
				2700K	1609
				3000K	1733
				3500K	1838
				4000K	1839

## 2LOOK4 50 TRACK TRIMLESS SYSTEM SPECIFICATION SHEET

PROJECT	_____
TYPE	_____
NOTES	_____
QUANTITY	_____
DATE	_____

INSERTS	CENTRIQ IN		FINISHES OPTIONS: See page 9 for color options and use 2 digit numbers to indicate your choices										
		<b>CENTRIQ IN SUPERSPOT Ø83 TW</b>	<b>A3xxxx-</b>	qty									
Wattage: 8.2W		Finish	Optics	Delivered Lumen (lm)									
<ul style="list-style-type: none"> <li>◆ _____</li> <li>▲ _____</li> <li>(28 colors)</li> <li>◻ _____</li> <li>(2 colors)</li> </ul>		<ul style="list-style-type: none"> <li><b>00</b> - No optic</li> <li><b>01</b> - Linear Spread</li> <li><b>02</b> - Spread</li> <li><b>03</b> - Honeycomb</li> </ul>	<b>TUNABLE WHITE</b> 2700K - 6500K (MAX) <table border="1" style="width: 100%; text-align: center;"> <tr> <td>10°</td> <td>569</td> </tr> </table>	10°	569								
10°	569												
	<b>CENTRIQ IN FLEX Ø83</b>	<b>A3T221-</b>	qty										
	Wattage: 21.1W	Dimming	CCT - 90 CRI	Finish									
	<ul style="list-style-type: none"> <li><b>DN</b> - Non Dim</li> <li><b>DV</b> - 0-10V</li> </ul>	<ul style="list-style-type: none"> <li><b>27K</b> - 2700K</li> <li><b>30K</b> - 3000K</li> <li><b>35K</b> - 3500K</li> <li><b>40K</b> - 4000K</li> </ul>	<ul style="list-style-type: none"> <li>◆ _____</li> <li>▲ _____</li> <li>(28 colors)</li> <li>◻ _____</li> <li>(2 colors)</li> </ul>	<b>TUNABLE WHITE</b> 2700K - 6500K (MAX) <table border="1" style="width: 100%; text-align: center;"> <tr> <td>CCT</td> <td>14° - 44°</td> </tr> <tr> <td>2700K</td> <td>1314 - 1229</td> </tr> <tr> <td>3000K</td> <td>1298 - 1214</td> </tr> <tr> <td>3500K</td> <td>1376 - 1287</td> </tr> <tr> <td>4000K</td> <td>1377 - 1288</td> </tr> </table>	CCT	14° - 44°	2700K	1314 - 1229	3000K	1298 - 1214	3500K	1376 - 1287	4000K
CCT	14° - 44°												
2700K	1314 - 1229												
3000K	1298 - 1214												
3500K	1376 - 1287												
4000K	1377 - 1288												
	<b>CENTRIQ IN FLEX Ø83 TW</b>	<b>A3xxxx-</b>	qty										
	Wattage: 8.2W	Finish	Delivered Lumen (lm)										
	Same as drawing above	<ul style="list-style-type: none"> <li>◆ _____ ▲ _____ ◻ _____</li> <li>(28 colors) (2 colors)</li> </ul>	<b>TUNABLE WHITE</b> 2700K - 6500K (MAX) <table border="1" style="width: 100%; text-align: center;"> <tr> <td>14° - 46°</td> <td>479 - 451</td> </tr> </table>		14° - 46°	479 - 451							
14° - 46°	479 - 451												
	<b>MAGIQ PLUS WALLWASH BLACK</b>	<b>A3T062-</b>	qty										
	Wattage: 44.7W	Dimming	CCT - 90 CRI	Finish									
	<ul style="list-style-type: none"> <li><b>DN</b> - Non Dim</li> <li><b>DV</b> - 0-10V</li> </ul>	<ul style="list-style-type: none"> <li><b>27K</b> - 2700K</li> <li><b>30K</b> - 3000K</li> <li><b>35K</b> - 3500K</li> <li><b>40K</b> - 4000K</li> </ul>	<ul style="list-style-type: none"> <li>◆ _____</li> <li>▲ _____</li> <li>(28 colors)</li> <li>◻ _____</li> <li>(2 colors)</li> </ul>	Delivered Lumen (lm) <table border="1" style="width: 100%; text-align: center;"> <tr> <td>2700K</td> <td>2844</td> </tr> <tr> <td>3000K</td> <td>3025</td> </tr> <tr> <td>3500K</td> <td>3251</td> </tr> <tr> <td>4000K</td> <td>3431</td> </tr> </table>	2700K	2844	3000K	3025	3500K	3251	4000K	3431	
2700K	2844												
3000K	3025												
3500K	3251												
4000K	3431												
	<b>MAGIQ PLUS WALLWASH WHITE</b>	<b>A3T065-</b>	qty										
	Wattage: 44.7W	Dimming	CCT - 90 CRI	Finish									
	<ul style="list-style-type: none"> <li><b>DN</b> - Non Dim</li> <li><b>DV</b> - 0-10V</li> </ul>	<ul style="list-style-type: none"> <li><b>27K</b> - 2700K</li> <li><b>30K</b> - 3000K</li> <li><b>35K</b> - 3500K</li> <li><b>40K</b> - 4000K</li> </ul>	<ul style="list-style-type: none"> <li>◆ _____</li> <li>▲ _____</li> <li>(28 colors)</li> <li>◻ _____</li> <li>(2 colors)</li> </ul>	Delivered Lumen (lm) <table border="1" style="width: 100%; text-align: center;"> <tr> <td>2700K</td> <td>2844</td> </tr> <tr> <td>3000K</td> <td>3025</td> </tr> <tr> <td>3500K</td> <td>3251</td> </tr> <tr> <td>4000K</td> <td>3431</td> </tr> </table>	2700K	2844	3000K	3025	3500K	3251	4000K	3431	
2700K	2844												
3000K	3025												
3500K	3251												
4000K	3431												

## 2LOOK4 50 TRACK TRIMLESS SYSTEM SPECIFICATION SHEET

PROJECT	_____
TYPE	_____
NOTES	_____
QUANTITY	_____
DATE	_____

INSERTS

### OIKO PRO IN

#### FINISHES OPTIONS:

See page 9 for color options and use 2 digit numbers to indicate your choices

OIKO PRO IN 34°	A3T203-			qty	
Wattage: 19.3W	Dimming	CCT - 90 CRI	Finish	Delivered Lumen (lm)	
	<b>DN</b> - Non Dim <b>DV</b> - 0-10V	<b>27K</b> - 2700K <b>30K</b> - 3000K <b>35K</b> - 3500K <b>40K</b> - 4000K	◆ ____ ▲ ____ (28 colors)  □ ____ (2 colors)	CCT	34°
				2700K	1510
				3000K	1517
				3500K	1588
				4000K	1603
OIKO PRO IN 34° TW	A3xxxx-			qty	
Wattage: 14.4W	Finish			Delivered Lumen (lm)	
Same as drawing above	◆ ____ ▲ ____ (28 colors)	□ ____ (2 colors)			<b>TUNABLE WHITE</b> 2700K - 6500K (MAX) 34°   1081
OIKO PRO IN 50°	A3T204-			qty	
Wattage: 19.3W	Dimming	CCT - 90 CRI	Finish	Delivered Lumen (lm)	
	<b>DN</b> - Non Dim <b>DV</b> - 0-10V	<b>27K</b> - 2700K <b>30K</b> - 3000K <b>35K</b> - 3500K <b>40K</b> - 4000K	◆ ____ ▲ ____ (28 colors)  □ ____ (2 colors)	CCT	50°
				2700K	1656
				3000K	1665
				3500K	1743
				4000K	1759
OIKO PRO IN 50° TW	A3xxxx-			qty	
Wattage: 14.4W	Finish			Delivered Lumen (lm)	
Same as drawing above	◆ ____ ▲ ____ (28 colors)	□ ____ (2 colors)			<b>TUNABLE WHITE</b> 2700K - 6500K (MAX) 50°   1186
OIKO PRO IN 60°	A3T205-			qty	
Wattage: 19.3W	Dimming	CCT - 90 CRI	Finish	Delivered Lumen (lm)	
	<b>DN</b> - Non Dim <b>DV</b> - 0-10V	<b>27K</b> - 2700K <b>30K</b> - 3000K <b>35K</b> - 3500K <b>40K</b> - 4000K	◆ ____ ▲ ____ (28 colors)  □ ____ (2 colors)	CCT	60°
				2700K	1820
				3000K	1829
				3500K	1914
				4000K	1932
OIKO PRO IN 62° TW	A3xxxx-			qty	
Wattage: 14.4W	Finish			Delivered Lumen (lm)	
Same as drawing above	◆ ____ ▲ ____ (28 colors)	□ ____ (2 colors)			<b>TUNABLE WHITE</b> 2700K - 6500K (MAX) 62°   1381

## 2LOOK4 50 TRACK TRIMLESS SYSTEM SPECIFICATION SHEET

PROJECT	_____
TYPE	_____
NOTES	_____
QUANTITY	_____
DATE	_____

### OIKO PRO IN

#### FINISHES OPTIONS:

See page 9 for color options and use 2 digit numbers to indicate your choices

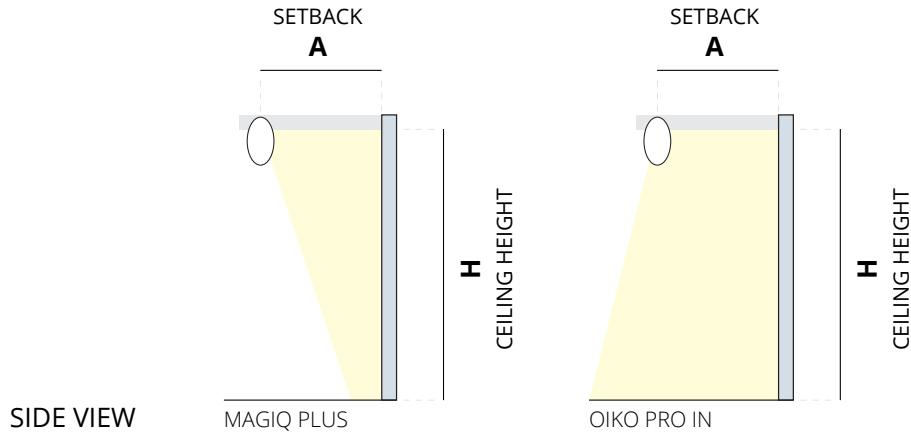
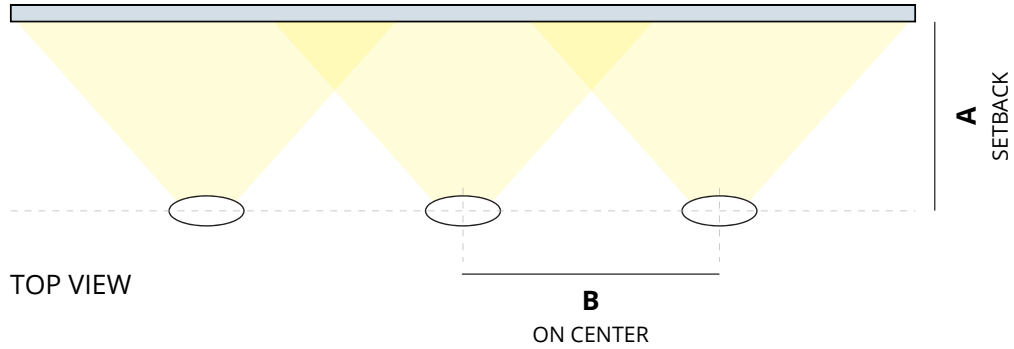
INSERTS

OIKO PRO IN SUPERSPOT		A3T226-		qty	
Wattage: 21.1W		Dimming		CCT - 90 CRI	
		<b>DN</b> - Non Dim <b>DV</b> - 0-10V		<b>27K</b> - 2700K <b>30K</b> - 3000K <b>35K</b> - 3500K <b>40K</b> - 4000K	
				Finish	
				◆ ____ ▲ ____ (28 colors)	
				◻ ____ (2 colors)	
				Delivered Lumen (lm)	
				CCT	14°
				2700K	1394
				3000K	1377
				3500K	1459
				4000K	1461
OIKO PRO IN WALLWASH		A3T206-		qty	
Wattage: 19.3W		Dimming		CCT - 90 CRI	
		<b>DN</b> - Non Dim <b>DV</b> - 0-10V		<b>27K</b> - 2700K <b>30K</b> - 3000K <b>35K</b> - 3500K <b>40K</b> - 4000K	
				Finish	
				◆ ____ ▲ ____ (28 colors)	
				◻ ____ (2 colors)	
				Delivered Lumen (lm)	
				2700K	1624
				3000K	1632
				3500K	1708
				4000K	1724
OIKO PRO IN WALLWASH TW		A3xxxx-		qty	
Wattage: 14.4W		Finish		Delivered Lumen (lm)	
Same as drawing above		◆ ____ ▲ ____ ◻ ____ (28 colors) (2 colors)		<b>TUNABLE WHITE</b> 2700K - 6500K (MAX) 1162	

PROJECT \_\_\_\_\_  
 TYPE \_\_\_\_\_  
 NOTES \_\_\_\_\_  
 QUANTITY \_\_\_\_\_  
 DATE \_\_\_\_\_

### RECOMMENDED WALLWASH DISTANCES

Simplified diagrams - it does not reflect the specific photometry of the inserts.  
 Setback and on center spacing depends on the color and texture of your walls.  
 The calculations below were completed with a white wall.



MAGIQ WALLWASH PLUS			OIKO PRO IN WALLWASH		
H	A	B	H	A	B
9' 10"	38" - 41"	46" - 54"	7' 6.5"	18.5" - 30"	27.5" - 45"
11' 6"	41" - 46"	54" - 62"	8' 2.5"	19.5" - 33.5"	29.5" - 49"
13'	46" - 54"	62" - 69"	8' 10"	21.5" - 35.5"	31.5" - 53"
14' 9"	54" - 62"	69" - 77"	9' 10"	23.5" - 39"	35.5" - 59"

## 2LOOK4 50 TRACK TRIMLESS SYSTEM SPECIFICATION SHEET

PROJECT	_____
TYPE	_____
NOTES	_____
QUANTITY	_____
DATE	_____

### SYSTEM SUMMARY

#### System

##### Type

Trimless (Non-IC type)  
Rated for Dry Locations Ceiling Mounted

##### Approval Status

Certified to North American Standards

##### Emission

Refer to emission icon beside each light insert and symbol legend for descriptions

#### Profile

##### Measurement

w 152mm (6") x ht. 101mm (4")

##### Housing

Anodized extruded aluminum profile available per meter and field-cuttable  
Profiles have a maximum length of 3000mm (9' 10 5/16") and joined together with couplers to ensure uniform appearance and easy installation

##### Cutout

w 105mm (4 1/8") x Profile Length + 8mm (5/16")

##### Drywall Ceiling Thickness

Mounting brackets must be specified considering the ceiling thickness of 12.5mm (1/2")

##### Recessed Depth

h 120mm (4 3/4")

#### Electrical

##### Connections

Luminaries are pre-wired by factory

##### Power Feed

Located on the end power supply (22mm diameter hole)  
3 Wires - non-dimming or phase dimming  
4 Wires - two circuits of non-dimming or phase dimming  
5 Wires - 0-10V dimming or dali dimming

##### LED Driver

Integrated with inserts  
Electronic Class 2 driver, Universal 120V/277V  
Non Dimming Driver, Dimming Driver 0-10V (10-100%)  
Consult factory for driver cutsheet  
If a different driver is required, please specify

##### Emergency Inverter Compatible

To be installed remotely, and provided by others  
It can be located up to 250m away from the fixture

Emergency circuit wiring is available upon request (Isolated track with dedicated driver used for emergency circuit will connect to emergency battery pack - supplied by others)

#### General

##### Features

The housing of the adjustable track spotlights for all sizes is flush mounted in the ceiling. In order to be able to compensate for on-site tolerances, the Magiq Plus Wallwasher can be adjusted in increments of 5° to a maximum of 15° to the vertical. This is often necessary for long shelves or corridors.

A sophisticated unlocking system in the reflector base that allows rotation through 180° with subsequent locking allows this spotlight to be used on either side of a 3-phase track.

The linear spread lens has the light cone stretched into a long oval, perfect for passages and corridors without projecting arcs onto the walls. A diffuser or spread lens made of structured, toughened glass softens the accentuating light of a spotlight and thus reduces the sharp delineation of the arc. A honeycomb grid can be used to reduce glare and can be combined with both the spread and linear spread lens.

##### Custom Requests and Additional Options

Availability depends by insert, system, and configuration  
Must consult factory and allow up to 5 business days for an answer

Special beam angles, individual sizes, Special LEDs, light inserts with different outputs

Special LEDs optimize luminaries to meet different applications

Gold+ invokes a heavy golden tone intended for bread and pastries

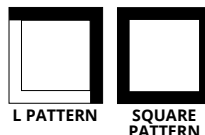
Meat+ displays saturated red light (white parts of product will appear slightly red)

Art+ highlights pieces of art without adversely affecting the perception of individual colors

Fashion+ has the entire color spectrum brilliantly orchestrated without distorting the color temperature

##### Configuration

Consult factory for patterns or custom designs  
Provide configuration drawings



\*Shop drawings provided upon receiving purchase order

#### Warranty

ZANEEN provides a limited warranty from date of purchase to original purchaser

**LED Inserts:** 5 year tested for 50,000 hours at 70% lumen output (L70)

**LED Driver:** 5 year

**Non-Electrical Components:** 1 year

\*Check boxes to complete specification order and submit to quotes@zaneen.com to receive a formal BOM and a finalized model number

\*In a constant effort to supply the best product, we reserve the right to change specifications or materials without notice. The most recent specification sheets are found at zaneen.com



## 2LOOK4 50 TRACK TRIMLESS SYSTEM SPECIFICATION SHEET

PROJECT \_\_\_\_\_  
 TYPE \_\_\_\_\_  
 NOTES \_\_\_\_\_  
 QUANTITY \_\_\_\_\_  
 DATE \_\_\_\_\_

### FINISH COLORS



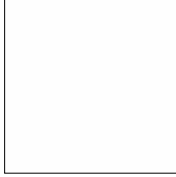
Sparkling Silver - 01



Black Velvet - 02



Crystal White - 03



Creamy - 04



Hampton Bay - 05



Urban Forest - 07



In the Army - 08



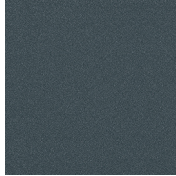
Rusty Angel - 09



Fade to Grey - 12



Mysterious Grey - 13



Lost Dream - 15



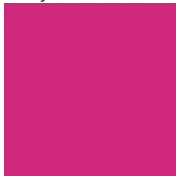
Purple Sky - 16



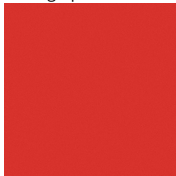
Fresh Oh - 17



Funky P - 18



Kissing Aphrodite - 19



Poseidon's Paradise - 20



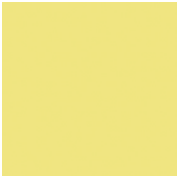
Blue Sky - 21



Spring Green - 22



Mellow Yellow - 23



Golden Heart - 24



Gun Metal - 25



Champagne Cream - 26



Copper Mine - 27



Ancient Bronze - 28



Jazz Gold - 29



Olive Breeze - 30



Moonlight Silver - 31



Rosewood Red - 32



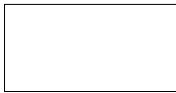
### ADAPTER FINISH



Black - 02



White - 03



**Digital:** Not all screens are calibrated the same, and therefore, colors will appear differently between screens.

**Physical:** When texture is involved, there will be variations in color, character and tone within a product series and between product families.

**Gun Metal:** No Gun Metal finish is alike. It combines a mixture of transparent and black color particles which ensures a highly individual effect and no luminaire being identical.

**Champagne Cream, Copper Mine, Ancient Bronze + Jazz Gold:** These finishes have slight fading from specific powder coating production. Each luminaire will slightly vary.

RAL Color Upon Request



### LEGEND

	floor-mounted		pivotal		special LED (upon request) RGB, RGBW, tunable, gold+, meat+, art+, fashion+
	wall and ceiling: recessed and surface mounted		rotating		warm dim / natural dimming LED
	ceiling-mounted and wall-mounted		illuminate tilted		rechargeable battery powered
	wall-mounted		color of suspension cable		fixture with natural vivid LED (upon request)
	omni-directional light distribution		length of suspension cable		color rendering index
	direct light distribution		reflector degree selection		color temperature
	direct/indirect light distribution		super spot		lumen (luminous flux)
	indirect light distribution		lens		efficacy (lumens per watt)
	asymmetric light distribution		lens pack		Unified Glare Rating (UGR) range from 5-40
	aura light distribution		shine ring		marine grade (AISI 316 stainless steel)
	round wall or ceiling cut-out		integrated shine ring with diffuser		walk on
	square wall or ceiling cut-out		free individual colors 01-29		drive on
	the supplied jig specifies the cutout dimensions		individual colors: 00 (free of charge), 01-25 (extra charge)		Dark Sky Compliance
	minimum distance (meters) lamp - object		luminaire part to be colored (F1)		Americans with Disabilities Act (less than 4" off the wall located between 27"-84" from floor)
	recessed depth		luminaire part to be colored (F2)		lamp protected against explosion
	ceiling thickness in mm		luminaire part to be colored (F3)		blown glass using traditional methods by master glass blower
	ceiling thickness selection		luminaire part to be colored (F4)		acoustic material
	dimmable DP (phase), DV (0-10V), DD (dali), DS (step-dim)		luminaire part to be colored (F5)		protection class I, protection insulation
	included or excluded LED driver/transformer/control gear		color of 3-circuit adaptor		protection class II, protection insulation
	separately switchable		indirect diffuser		ETL Certified to UL and CSA Standards
	sensor		direct diffuser		UL Certified to UL and CSA Standards
	remote control		ball-proof (upon request)		CSA Certified to UL and CSA Standards
	available upon request		accessory		Certified for North American Standards

### IP RATING

	protected against ingress of solid bodies greater than 12.5mm (finger)
	protected against ingress of solid bodies greater than 2.5mm protected against sprays of water up to 60 degrees from the vertical (rain)
	protected against ingress of solid bodies greater than 1mm (wire) no protection against the ingress of moisture
	protected against ingress of solid bodies greater than 1mm (wire) protected against sprays of water up to 60 degrees from the vertical (rain)
	protected against ingress of solid bodies greater than 1mm (wire) protected against water splashed from all directions
	protected against limited ingress of dust (wet rooms/covered outdoor areas) protected against water splashed from all directions
	protected against ingress of dust protected against jets of water
	protected against ingress of dust protected against powerful jets of water or heavy seas
	protected against ingress of dust protected against immersion of water between 15cm - 1m for 30 minutes
	protected against ingress of dust protected against immersion of water under pressure for long periods

### IK RATING

	protected against 0.14 joules impact (equivalent to 0.25kg mass dropped from 56mm above the surface)
	protected against 0.2 joules impact (equivalent to 0.25kg mass dropped from 80mm above the surface)
	protected against 0.35 joules impact (equivalent to 0.25kg mass dropped from 140mm above the surface)
	protected against 0.5 joules impact (equivalent to 0.25kg mass dropped from 200mm above the surface)
	protected against 0.7 joules impact (equivalent to 0.25kg mass dropped from 280mm above the surface)
	protected against 1 joules impact (equivalent to 0.25kg mass dropped from 400mm above the surface)
	protected against 2 joules impact (equivalent to 0.5kg mass dropped from 400mm above the surface)
	protected against 5 joules impact (equivalent to 1.7kg mass dropped from 300mm above the surface)
	protected against 10 joules impact (equivalent to 5.0kg mass dropped from 200mm above the surface)
	protected against 20 joules impact (equivalent to 5.0kg mass dropped from 400mm above the surface)

PROJECT	_____
TYPE	_____
NOTES	_____
QUANTITY	_____
DATE	_____

### WIRING DIAGRAMS

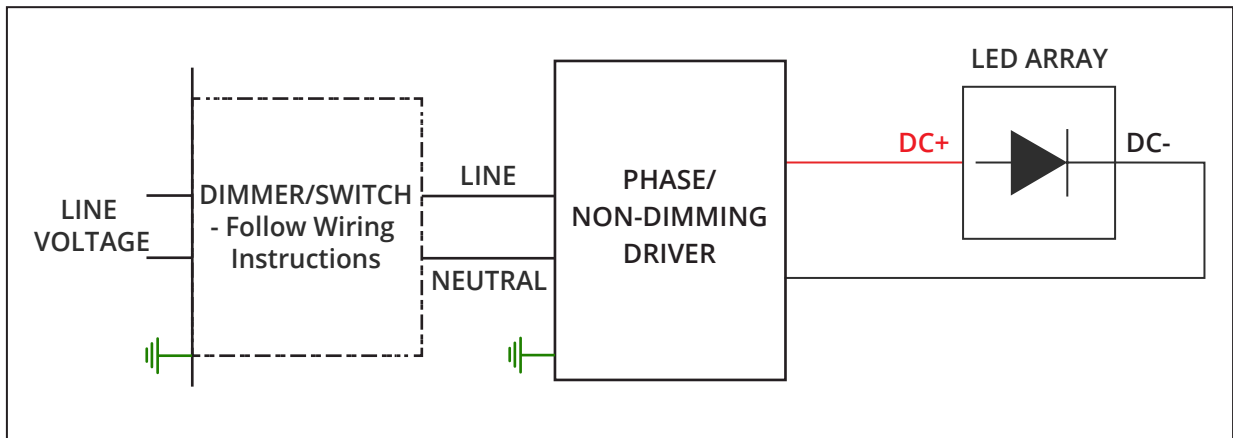
ALL ZANEEN FIXTURES ARE MANUFACTURED TO NORTH AMERICAN ELECTRICAL STANDARDS

Post Sales Support  
HQ 1-800-388-3382 X 625 support@zaneen.com

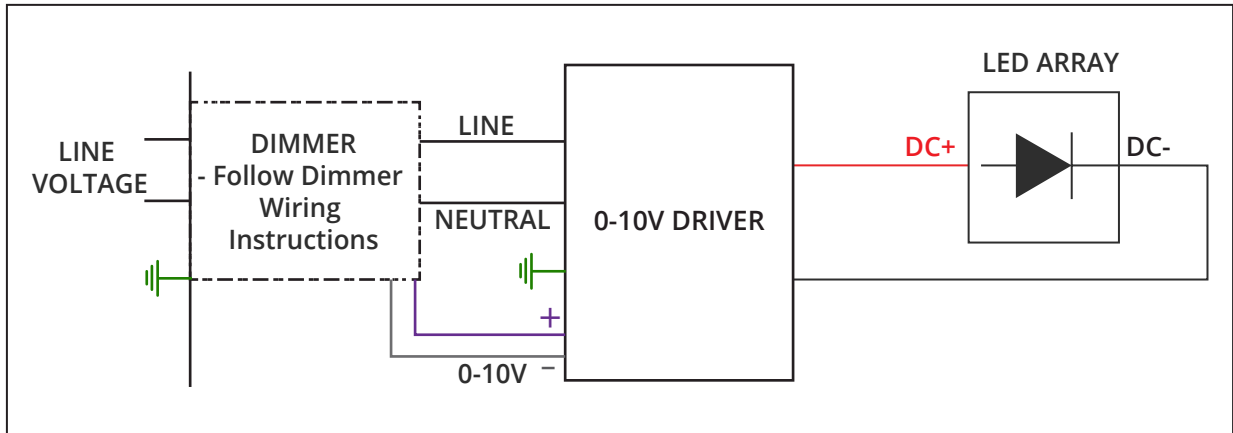
#### IMPORTANT

- Do NOT connect directly to line voltage
- There is a minimum and maximum load per driver (See fixture and driver specifications).
- Fixture MUST be connected to LED driver, prior to turning power on

#### PHASE/NON-DIMMING WIRING DIAGRAM



#### 0-10V DIMMING WIRING DIAGRAM



## 2LOOK4 50 TRACK TRIMLESS SYSTEM SPECIFICATION SHEET

PROJECT \_\_\_\_\_  
TYPE \_\_\_\_\_  
NOTES \_\_\_\_\_  
QUANTITY \_\_\_\_\_  
DATE \_\_\_\_\_

Insert custom drawing here or attach with additional pages

