

35 TRACK SUSPENSION SYSTEM SPECIFICATION SHEET

PROJECT	_____
TYPE	_____
NOTES	_____
QUANTITY	_____
DATE	_____

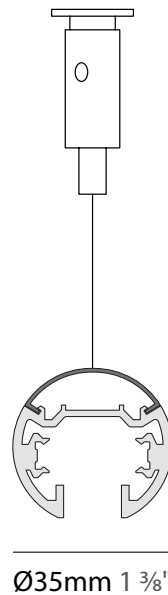


ARCHITECTURAL | 35 TRACK

35 TRACK is a diffused uplight that combines the maximum flexibility and the extensive performance of the 48VDC track, allowing for greater possibility of configuring the lighting system. 35 Track has a diffused 120° indirect light with many options of direct accent lighting, giving designers the freedom to create diverse architectural lighting installations from one single product. Through dedicated linear or L joints, it is possible to connect one or more elements. The connection of 35 Track to 35 Linear system is also available.



SYSTEM PROFILE



35 TRACK SUSPENSION SYSTEM SPECIFICATION SHEET

PROJECT _____
 TYPE _____
 NOTES _____
 QUANTITY _____
 DATE _____

SYSTEM GUIDE

To make your product selection and complete system specification, proceed with the following:
 review system options, create your system code in the field below and include your quantity.
 For the inserts/components, use the field beside each product name.
 Submit to quotes@zaneen.com to receive a formal BOM and finalized model numbers.



UPON REQUEST
 Additional Options _____
 _____ Color Temperature

EXAMPLE A535TRK-SUP-SYS-UNV-DN-1-S-BLK-BLK-BLK-BLK-C

SYSTEM BUILD CODE: A535TRK-SUP-SYS- **qty**

ELECTRICAL	Voltage	Dimming	Circuit
	UNV - 120/277V	DN - Non Dim	EMCIR - Emergency Circuit
	120 - 120V	DV - 0-10V (100-1%)	MC - Multiple Circuits (Upon Request)
	347 - 347V	DD - DALI (100-1%)	
	Wattage [†]		Delivered Lumen (lm) [†]
	(W)		3000K
Per meter	25		2585
Per foot	7.6		788

†Approximate values for upright led strip

PHYSICAL	Diffuser	Fixture Head Spacing - Direct light	Run Shapes*	*The closest possible length will be provided based on the standard modular lengths available (1000 38 3/8", 2000mm 78 3/4" and 3000mm 118 1/8").
	Opal	1' - on center 2' - on center	S _____' Straight L _____'x_____ ' Ceiling to Ceiling LV _____'x_____ ' Ceiling to Wall	
	Distribution	4' - on center	U _____'x_____ 'x_____ ' R _____'x_____ ' Rectangle	
	Indirect	CUS (XX) - Custom		
Finish				Suspension Kit
Profile ◆ _____	Connections ◆ _____	End Cap ◆ _____	Suspension Ring ◆ _____ (2 colors)	C - Cable - max. 3000mm F - Fixed Rod 1000mm
				Ring with cable Ring with rod
FINISHES OPTIONS: See page 8 for color options and use 3 digit letters to indicate your choices				

35 TRACK SUSPENSION SYSTEM SPECIFICATION SHEET

PROJECT	_____
TYPE	_____
NOTES	_____
QUANTITY	_____
DATE	_____

INSERTS

LINEA 48V

INSERT BUILD CODE EXAMPLE:
A5T126-DN-27K-BLK

FINISHES OPTIONS:
See page 8 for color options and use 3 digit letters to indicate your choices

LINEA 400	A5T126-			qty
Wattage: 7.2W	Dimming	CCT - 90 CRI	Finish	Delivered Lumen (lm)
	DN - Non Dim	27K - 2700K	◆ _____ (2 colors)	776
	DV - 0-10V	30K - 3000K		
		40K - 4000K		

LINEA 600	A5T127-			qty
Wattage: 12W	Dimming	CCT - 90 CRI	Finish	Delivered Lumen (lm)
	DN - Non Dim	27K - 2700K	◆ _____ (2 colors)	1292
	DV - 0-10V	30K - 3000K		
		40K - 4000K		

LINEA 900	A5T128-			qty
Wattage: 19W	Dimming	CCT - 90 CRI	Finish	Delivered Lumen (lm)
	DN - Non Dim	27K - 2700K	◆ _____ (2 colors)	2068
	DV - 0-10V	30K - 3000K		
		40K - 4000K		

LINEA 1900	A5T129-			qty
Wattage: 43W	Dimming	CCT - 90 CRI	Finish	Delivered Lumen (lm)
	DN - Non Dim	27K - 2700K	◆ _____ (2 colors)	4653
	DV - 0-10V	30K - 3000K		
		40K - 4000K		

MINIROOLER

MINIROOLER	A5T098-			qty
Wattage: 17W	Dimming	CCT - 90 CRI	Beam Angle	Delivered Lumen (lm)
	DN - Non Dim	27K - 2700K	12 - 12°	1139 - 1337
	DV - 0-10V	30K - 3000K	20 - 20°	
		40K - 4000K	50 - 50°	
			1441 - 14°x41° (Elliptical Transversal)	
			4114 - 41°x14° (Elliptical Longitudinal)	

PROJECT	_____
TYPE	_____
NOTES	_____
QUANTITY	_____
DATE	_____

INSERTS

MINIROOLER ADJUSTABLE

FINISHES OPTIONS:

See page 8 for color options and use 3 digit letters to indicate your choices

MINIROOLER ADJ. SHORT	A5T100-					qty
Wattage: 10.4W 	Dimming	CCT - 90 CRI	Beam Angle	Finish	Delivered Lumen (lm)	
	DN - Non Dim	27K -2700K	12 - 12°	◆ _____ (2 colors)	759 - 891	
	DV - 0-10V	30K - 3000K	20 - 20°			
		40K - 4000K	50 - 50°			
			1441 - 14°x41° (Elliptical Transversal)			
					4114 - 41°x14° (Elliptical Longitudinal)	

MINIROOLER ADJ. LONG	A5T101-					qty
Wattage: 15.5W 	Dimming	CCT - 90 CRI	Beam Angle	Finish	Delivered Lumen (lm)	
	DN - Non Dim	27K -2700K	12 - 12°	◆ _____ (2 colors)	1139 - 1337	
	DV - 0-10V	30K - 3000K	20 - 20°			
		40K - 4000K	50 - 50°			
			1441 - 14°x41° (Elliptical Transversal)			
					4114 - 41°x14° (Elliptical Longitudinal)	

MICROPERFETTO

MICROPERFETTO Ø53 18W	A5T117-					qty
Wattage: 18W 	Dimming	CCT - 90 CRI	Finish	Beam Angle	Delivered Lumen (lm)	
	DN - Non Dim	27K -2700K	◆ _____ (2 colors)	16 - 16°	1362 - 1890	
	DV - 0-10V	30K - 3000K		24 - 24°		
		40K - 4000K		30 - 30°		
				45 - 45°		
				55 - 55°		

MICROPERFETTO Ø53 21W	A5T121-					qty
Wattage: 21W 	Dimming	CCT - 90 CRI	Finish	Beam Angle	Delivered Lumen (lm)	
	DN - Non Dim	27K -2700K	◆ _____ (2 colors)	16 - 16°	1543 - 1890	
	DV - 0-10V	30K - 3000K		24 - 24°		
		40K - 4000K		30 - 30°		
				45 - 45°		
				55 - 55°		

35 TRACK SUSPENSION SYSTEM SPECIFICATION SHEET

PROJECT	_____
TYPE	_____
NOTES	_____
QUANTITY	_____
DATE	_____

INSERTS

MICROPERFETTO

FINISHES OPTIONS:

See page 8 for color options and use 3 digit letters to indicate your choices

MICROPERFETTO Ø53 26W	A5T122-				qty	
Wattage: 26W	Dimming	CCT - 90 CRI	Finish	Beam Angle	Delivered Lumen (lm)	
	DN - Non Dim DV - 0-10V	27K -2700K 30K - 3000K 40K - 4000K	◆ _____ (2 colors)	16 - 16°	1813 - 1890	
				24 - 24°		
				30 - 30°		
				45 - 45°		
				55 - 55°		

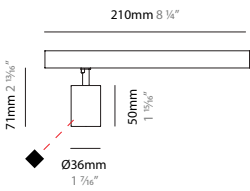
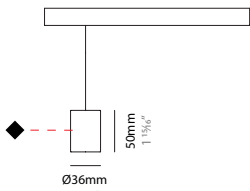
MICROPERFETTO Ø61	A5T123-				qty			
Wattage: 21W	Dimming	CCT - 90 CRI	Finish	Beam Angle	Delivered Lumen (lm)			
	DN - Non Dim DV - 0-10V	27K -2700K 30K - 3000K 40K - 4000K	◆ _____ (2 colors)	12 - 12°	CCT	2700K	3000K	4000K
				24 - 24°	12°	1369	1478	1524
				36 - 36°	24°	1385	1496	1542
				50 - 50°	36°	1401	1513	1560
					50°	1206	1302	1343

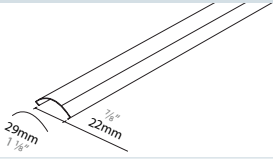
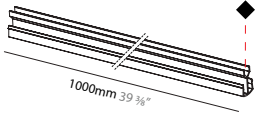
MICROPERFETTO Ø61	A5T124-				qty			
Wattage: 25W	Dimming	CCT - 90 CRI	Finish	Beam Angle	Delivered Lumen (lm)			
	DN - Non Dim DV - 0-10V	27K -2700K 30K - 3000K 40K - 4000K	◆ _____ (2 colors)	12 - 12°	CCT	2700K	3000K	4000K
				24 - 24°	12°	2067	2152	2479
				36 - 36°	24°	2199	2290	2638
				50 - 50°	36°	2146	2235	2574
					50°	1934	2014	2320

MICROPERFETTO Ø61 ZOOM	A5T125-			qty	
Wattage: 18.5W	Dimming	CCT - 90 CRI	Finish	Delivered Lumen (lm)	
	DN - Non Dim DV - 0-10V	27K -2700K 30K - 3000K 40K - 4000K	◆ _____ (2 colors)	CCT	13° - 47°
				2700K	1092
				3000K	1174
				4000K	1216

35 TRACK SUSPENSION SYSTEM SPECIFICATION SHEET

PROJECT	_____
TYPE	_____
NOTES	_____
QUANTITY	_____
DATE	_____

INSERTS	NANOPERFETTO		FINISHES OPTIONS: See page 8 for color options and use 3 digit letters to indicate your choices			
		NANOPERFETTO Ø36	A5T110-			
	Wattage: 7.3W	Dimming	CCT - 90 CRI	Finish	Beam Angle	Delivered Lumen (lm)
		DN - Non Dim DV - 0-10V	27K -2700K 30K - 3000K 40K - 4000K	◆ _____ (2 colors)	21 - 21° 38 - 38° 52 - 52° 1541 - 15° + 41°	2700K 3000K 4000K 405 425 445
	NANOPERFETTO SUSPENSION Ø36	A5T112-				qty
	Wattage: 7.3W	Dimming	CCT - 90 CRI	Finish	Beam Angle	Delivered Lumen (lm)
		DN - Non Dim DV - 0-10V	27K -2700K 30K - 3000K 40K - 4000K	◆ _____ (2 colors)	14 - 14° 21 - 21° 38 - 38° 52 - 52° 1541 - 15° + 41°	2700K 3000K 4000K 581 613 656

COMPONENTS	SMOKED DIFFUSER		qty
		Length	Description
	A5T119 - 2000mm 78 3/4"	Enables a continuous effect of black finish when the light is off, giving the impression that the metal parts and diffused elements are one single piece. Approx. 50% light loss	
	A5T120 - 3000mm 118 1/8"		
	TRACK COVER	A5T112-	qty
	Finish		
	◆ _____ (2 colors)		

35 TRACK SUSPENSION SYSTEM SPECIFICATION SHEET

PROJECT	_____
TYPE	_____
NOTES	_____
QUANTITY	_____
DATE	_____

SYSTEM SUMMARY

System

Type

Suspension
Rated for Dry Locations Ceiling Mounted

Approval Status

Certified to North American Standards

Emission

Refer to emission icon beside each light insert and symbol legend for descriptions

Efficiency

Opal Polycarbonate (snap-in) lens 56%

Profile

Measurement

Ø35mm (1 3/8")

Housing

Extruded aluminum profile available in set lengths with polycarbonate diffuser
Profiles have a maximum length of 3000mm (9' 10 1/4") and joined together with couplers to ensure uniform appearance and easy installation

Suspension Lengths

Standard length is 3000mm (9' 10 1/4"), adjusted on site to shorter lengths
Cable loop should be place on/next to black and white end pieces and joining connectors
Any custom length must be pre-cut on site

Electrical

Connections

Luminaries are pre-wired by factory
Through wiring is used to connect the luminaries.

Power Feed

Located 1 inch from one end of the fixture, on top of the profile
Master elements are supplied with one straight joint for electrical continuity and with one power supply cable 3000mm (9' 10 15/16") in length
3 Wires - non-dimming or phase dimming
4 Wires - two circuits of non-dimming or phase dimming
5 Wires - 0-10V dimming or dali dimming

LED Driver

Driver is installed in a remote location with supplied enclosure.
Maximum distance between the power supply and the last fixture on the circuit is 30' using a 18-gauge wire. For more than 30', the gauge of the wire must be determined by a certified professional. The length of the fixture specified must be considered within the maximum distance of 30'.
Provisions must be made on site for accessibility to the power supplies.
Electronic Class 2 driver, Universal 120V/277V
Non Dimming Driver
Dimming Driver 0-10V (10-100%)
Consult factory for driver cutsheet
If a different driver is required, please specify

Emergency Inverter Compatible

To be installed remotely, and provided by others
It can be located up to 250m away from the fixture
Emergency circuit wiring is available upon request (Isolated track with dedicated driver used for emergency circuit will connect to emergency battery pack - supplied by others)

General

Features

Linea 48V is the best solution to create continuous lines of lights providing possibilities for a multitude of light scenes.

Miniroller features a high efficiency enshrined in only 14mm width. The light sources are almost invisible within the fitting so that the attention is focused on the details of the architecture only, for a great visual comfort without glaring.

Miniroller Adjustable is a minimal linear presence that can be oriented in any direction, always remaining adhered to the track. It offers high lighting performance, low glare levels and homogeneous light distribution.

Microperetto spotlights range are ideal for retail contexts where a high amount of light is a feature that can make the difference.

Nanoperetto spotlight is a miniaturized adjustable spotlight for accent lighting.

35 Linear system can be connected to 35 Track for specific compositions where also accent light is needed.

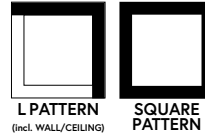
Custom Requests and Additional Options

Availability depends on insert, system, and configuration.
Must consult factory and allow up to 5 business days for an answer.

RGB, light inserts with different wattages, light inserts on different circuits.

Configuration

Consult factory for patterns or custom designs
Provide configuration drawings



*Shop drawings provided upon receiving purchase order

Warranty

ZANEEN provides a limited warranty from date of purchase to original purchaser

LED Inserts: 5 year tested for 50,000 hours at 70% lumen output (L70)

LED Driver: 5 year

Non-Electrical Components: 1 year

*Check boxes to complete specification order and submit to quotes@zaneen.com to receive a formal BOM and a finalized model number

*In a constant effort to supply the best product, we reserve the right to change specifications or materials without notice. The most recent specification sheets are found at zaneen.com

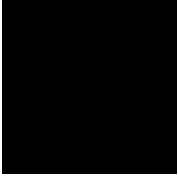
35 TRACK SUSPENSION SYSTEM SPECIFICATION SHEET

PROJECT _____
TYPE _____
NOTES _____
QUANTITY _____
DATE _____

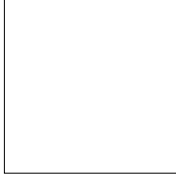
FINISH COLORS



Black - **BLK**



White - **WHI**



Digital: Not all screens are calibrated the same, and therefore, colors will appear differently between screens.

LEGEND

	floor-mounted		pivotable		special LED (upon request) RGB, RGBW, tunable, gold+, meat+, art+, fashion+
	wall and ceiling: recessed and surface mounted		rotating		warm dim / natural dimming LED
	ceiling-mounted and wall-mounted		illuminate tilted		rechargeable battery powered
	wall-mounted		color of suspension cable		fixture with natural vivid LED (upon request)
	omni-directional light distribution		length of suspension cable		color rendering index
	direct light distribution		reflector degree selection		color temperature
	direct/indirect light distribution		super spot		lumen (luminous flux)
	indirect light distribution		lens		efficacy (lumens per watt)
	asymmetric light distribution		lens pack		Unified Glare Rating (UGR) range from 5-40
	aura light distribution		shine ring		marine grade (AISI 316 stainless steel)
	round wall or ceiling cut-out		integrated shine ring with diffuser		walk on
	square wall or ceiling cut-out		free individual colors 01-29		drive on
	the supplied jig specifies the cutout dimensions		individual colors: 00 (free of charge), 01-25 (extra charge)		Dark Sky Compliance
	minimum distance (meters) lamp - object		luminaire part to be colored (F1)		Americans with Disabilities Act (less than 4" off the wall located between 27"-84" from floor)
	recessed depth		luminaire part to be colored (F2)		lamp protected against explosion
	ceiling thickness in mm		luminaire part to be colored (F3)		blown glass using traditional methods by master glass blower
	ceiling thickness selection		luminaire part to be colored (F4)		acoustic material
	dimmable DP (phase), DV (0-10V), DD (dali), DS (step-dim)		luminaire part to be colored (F5)		protection class I, protection insulation
	included or excluded LED driver/transformer/control gear		color of 3-circuit adaptor		protection class II, protection insulation
	separately switchable		indirect diffuser		ETL Certified to UL and CSA Standards
	sensor		direct diffuser		UL Certified to UL and CSA Standards
	remote control		ball-proof (upon request)		CSA Certified to UL and CSA Standards
	available upon request		accessory		Certified for North American Standards

IP RATING

	protected against ingress of solid bodies greater than 12.5mm (finger)
	protected against ingress of solid bodies greater than 2.5mm protected against sprays of water up to 60 degrees from the vertical (rain)
	protected against ingress of solid bodies greater than 1mm (wire) no protection against the ingress of moisture
	protected against ingress of solid bodies greater than 1mm (wire) protected against sprays of water up to 60 degrees from the vertical (rain)
	protected against ingress of solid bodies greater than 1mm (wire) protected against water splashed from all directions
	protected against limited ingress of dust (wet rooms/covered outdoor areas) protected against water splashed from all directions
	protected against ingress of dust protected against jets of water
	protected against ingress of dust protected against powerful jets of water or heavy seas
	protected against ingress of dust protected against immersion of water between 15cm - 1m for 30 minutes
	protected against ingress of dust protected against immersion of water under pressure for long periods

IK RATING

	protected against 0.14 joules impact (equivalent to 0.25kg mass dropped from 56mm above the surface)
	protected against 0.2 joules impact (equivalent to 0.25kg mass dropped from 80mm above the surface)
	protected against 0.35 joules impact (equivalent to 0.25kg mass dropped from 140mm above the surface)
	protected against 0.5 joules impact (equivalent to 0.25kg mass dropped from 200mm above the surface)
	protected against 0.7 joules impact (equivalent to 0.25kg mass dropped from 280mm above the surface)
	protected against 1 joules impact (equivalent to 0.25kg mass dropped from 400mm above the surface)
	protected against 2 joules impact (equivalent to 0.5kg mass dropped from 400mm above the surface)
	protected against 5 joules impact (equivalent to 1.7kg mass dropped from 300mm above the surface)
	protected against 10 joules impact (equivalent to 5.0kg mass dropped from 200mm above the surface)
	protected against 20 joules impact (equivalent to 5.0kg mass dropped from 400mm above the surface)

WIRING DIAGRAMS

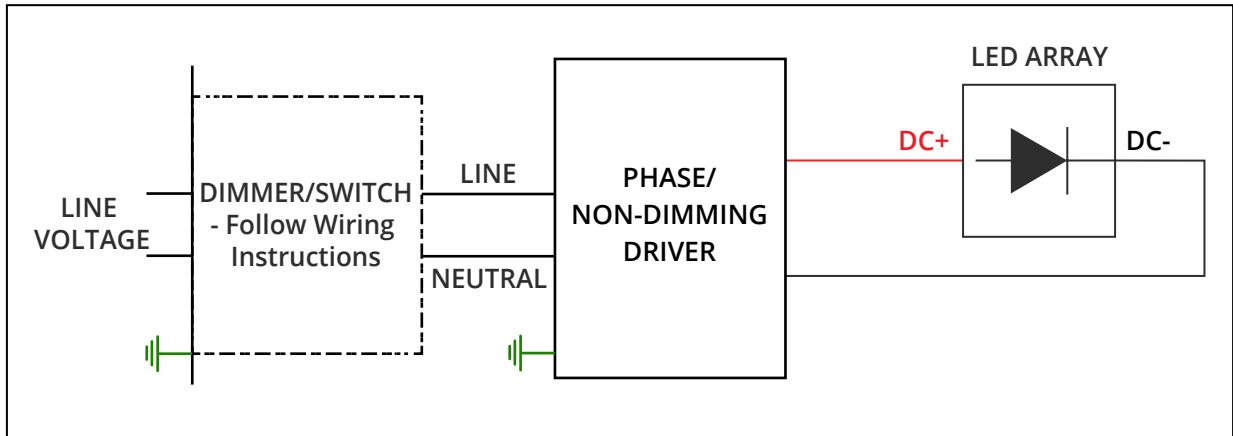
ALL ZANEEN FIXTURES ARE MANUFACTURED TO NORTH AMERICAN ELECTRICAL STANDARDS

Post Sales Support
HQ 1-800-388-3382 X 625 support@zaneen.com

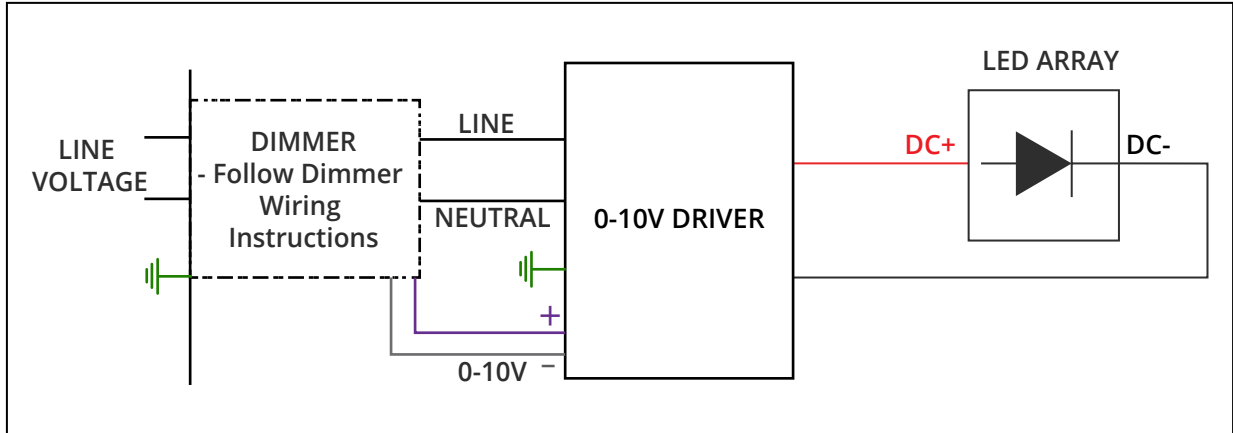
IMPORTANT

- Do NOT connect directly to line voltage
- There is a minimum and maximum load per driver (See fixture and driver specifications).
- Fixture MUST be connected to LED driver, prior to turning power on

PHASE/NON-DIMMING WIRING DIAGRAM



0-10V DIMMING WIRING DIAGRAM



35 TRACK SUSPENSION SYSTEM SPECIFICATION SHEET

PROJECT _____
TYPE _____
NOTES _____
QUANTITY _____
DATE _____

Insert custom drawing here or attach with additional pages

