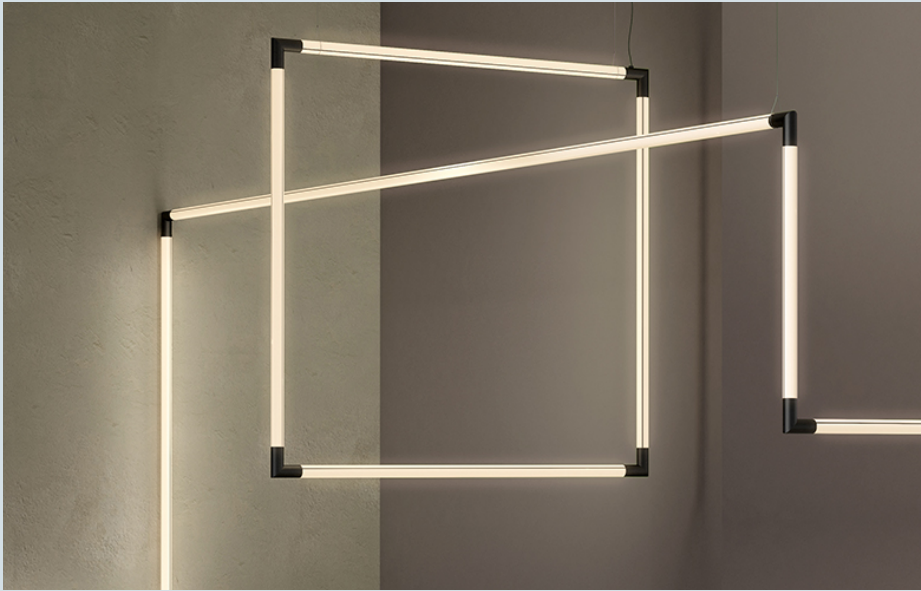


## 35 LINEAR MODULAR SYSTEM SPECIFICATION SHEET

PROJECT	_____
TYPE	_____
NOTES	_____
QUANTITY	_____
DATE	_____



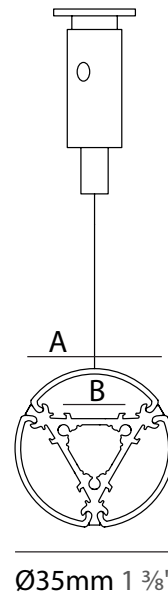
The system is available with an opal diffuser which looks white when switched off, or you can choose the smoky diffuser which goes very dark gray when switched off, but still white and bright when switched on.

### ARCHITECTURAL | 35 LINEAR

35 LINEAR represents a unique element of its kind with an innovative design and complementary lighting features. The three-segment 35mm core allows 35 Linear to be symmetrical and homogeneous one moment and asymmetric and targeted the next. The light sources can be customized with three different light directions - diffused indirect lighting, diffused direct down-light and accent lighting, to create customized choreographies and atmospheres. The indirect light (120°) and the direct light (240°) can be controlled separately.



### SYSTEM PROFILE



A - 30mm 1 3/16"  
B - 14mm 9/16"



## 35 LINEAR MODULAR SYSTEM SPECIFICATION SHEET

PROJECT \_\_\_\_\_  
 TYPE \_\_\_\_\_  
 NOTES \_\_\_\_\_  
 QUANTITY \_\_\_\_\_  
 DATE \_\_\_\_\_

### SYSTEM GUIDE

To make your product selection and complete system specification, proceed with the following:  
 review system options, create your system code in the field below and include your quantity.  
 For the inserts/components, use the field beside each product name.  
 Submit to quotes@zaneen.com to receive a formal BOM and finalized model numbers.



UPON REQUEST  
 Additional Options \_\_\_\_\_  
 Color Temperature \_\_\_\_\_  
 3500K - 24V \_\_\_\_\_  
 RGB \_\_\_\_\_

EXAMPLE A535LIN-MOD-SYS-UNV-DN-27K-OP-S-01-01-01-01-2M

### SYSTEM BUILD CODE: A535LIN-MOD-SYS- qty

<b>ELECTRICAL</b>	<b>Voltage</b> UNV - 120/277V 120 - 120V 347 - 347V	<b>Dimming</b> DN - Non Dim DV - 0-10V (100-1%) DD - DALI (100-1%)	<b>Circuit</b> EMCIR - Emergency Circuit MC - Multiple Circuits (Upon Request)	<b>CCT - 90 CRI</b> 27K - 2700K 30K - 3000K 40K - 4000K	
		<b>Wattage</b> (W)	<b>Delivered Lumen (lm)</b>		
			<b>2700K</b>	<b>3000K</b>	<b>4000K</b>
	<b>Per meter</b>	16.7 [5.6 (Ind.) + 11.1 (Dir.)]	1758 (586 + 1172)	1842 (614 + 1228)	1932 (644 + 1288)
	<b>Per foot</b>	5.1 [1.7 (Ind.) + 3.4 (Dir.)]	536 (179 + 357)	561 (187 + 374)	589 (196 + 393)

Approximate values

<b>PHYSICAL</b>	<b>Diffuser</b> Opal Distribution Omnidirectional	<b>Run Shapes*</b> S _____' Straight L _____'x_____ ' Ceiling to Ceiling LV _____'x_____ ' Ceiling to Wall U _____'x_____ 'x_____ ' R _____'x_____ ' Rectangle	<b>Finish</b> Connections  _____ Canopy  _____ (2 colors) Use 3 digit letters code below to indicate your choice Anodized Black - <b>ANB</b> White - <b>WHI</b>	<b>Cable Length</b> 3M - 3000mm XM - Custom (Upon Request)
-----------------	--	---	---	---

\*The closest possible length will be provided based on the standard modular lengths available (500mm 19 1/16", 1000mm 39 3/8", 2000mm 78 3/4", 3000mm 118 1/8").

<b>COMPONENTS</b>	<b>CONTINUOUS LINEAR OFF</b>			qty
		<b>Length</b> A51054 - 1000mm 39 3/8" A51055 - 2000mm 78 3/4"	<b>Description</b> An empty module for continuity with one straight joint and cover in black polycarbonate.	
	<b>SMOKED DIFFUSER</b>			qty
		<b>Length</b> A5910200 - 500mm 19 1/16" A5910300 - 1500mm 59 1/16" A5910400 - 2000mm 78 3/4" A5910500 - 3000mm 118 1/8"	<b>Description</b> Enables a continuous effect of black finish when the light is off, giving the impression that the metal parts and diffused elements are one single piece. Approx. 50% light loss	

PROJECT \_\_\_\_\_

TYPE \_\_\_\_\_



NOTES \_\_\_\_\_

QUANTITY \_\_\_\_\_

DATE \_\_\_\_\_

### NANOPERFETTO

INSERTS

NANOPERFETTO	A59097-	qty	
Wattage: 7W	CCT - 90 CRI	Delivered Lumen (lm)	
	<b>27K</b> -2700K	<b>CCT</b>	<b>14°</b>
	<b>30K</b> - 3000K	2700K	1004
		3000K	1051
	Finish		
	◆ _____ (2 colors)		
	Use 3 digit letters code below to indicate your choice		
	Black - <b>BLK</b>		
	Matte White - <b>MWH</b>		
			
			

ACCESSORY

HONEYCOMB DIFFUSER	A5906500	qty	
	Description		
	Honeycomb Diffuser for Nanoperfetto Spot		

PROJECT	_____
TYPE	_____
NOTES	_____
QUANTITY	_____
DATE	_____

### SYSTEM SUMMARY

#### System

##### Type

Suspension  
Rated for Dry Locations Ceiling and Wall Mounted

##### Approval Status

Certified to North American Standards

##### Emission

Refer to emission icon beside each light insert and symbol legend for descriptions

##### Efficiency

Opal Polycarbonate (snap-in) lens 56%

#### Profile

##### Measurement

Ø35mm (1 3/8")

##### Housing

Extruded aluminum profile available in set lengths with polycarbonate diffuser  
Profiles have a maximum length of 3000mm (9' 10 1/4") and joined together with couplers to ensure uniform appearance and easy installation

##### Suspension Lengths

Standard length is 3000mm (9' 10 1/4"), adjusted on site to shorter lengths  
Cable loop should be placed on/next to black and white end pieces and joining connectors  
Any custom length must be pre-cut on site

#### Electrical

##### Connections

Luminaries are pre-wired with a factory installed branch circuit wiring and quick-release connectors.  
Through wiring is used to connect the luminaries.

##### Power Feed

Located 1 inch from one end of the fixture, on top of the profile  
Master elements are supplied with one straight joint for electrical continuity and with one power supply cable 3000mm (9' 10 15/16") in length  
3 Wires - non-dimming or phase dimming  
4 Wires - two circuits of non-dimming or phase dimming  
5 Wires - 0-10V dimming or dali dimming

##### LED Driver

Driver is installed in a remote location with supplied enclosure.  
Maximum distance between the power supply and the last fixture on the circuit is 30' using a 18-gauge wire. For more than 30', the gauge of the wire must be determined by a certified professional. The length of the fixture specified must be considered within the maximum distance of 30'.  
Provisions must be made on site for accessibility to the power supplies.  
Electronic Class 2 driver, Universal 120V/277V  
Non Dimming Driver  
Dimming Driver 0-10V (10-100%)  
Consult factory for driver cutsheet  
If a different driver is required, please specify

##### Emergency Inverter Compatible

To be installed remotely, and provided by others  
It can be located up to 250m away from the fixture  
Emergency circuit wiring is available upon request (Isolated track with dedicated driver used for emergency circuit will connect to emergency battery pack - supplied by others)

#### General

##### Features

The 35 Linear is a cylindrical element that can create diffused uplight and/or diffused downlight. Nanoperfetto 35 spotlight is a miniaturized adjustable spotlight for accent lighting. Using these modular elements, the 35 system can be configured to shape the light as required, with flexibility in forms and functions.

The system can be wired into separate groups, allowing independent control of the down, up and spot light components.

Thanks to the double switch 120° + 240°, 35 allows a soft indirect distribution even in case of low distance from the ceiling / wall. The soft homogeneous distribution is great for cove-lighting, niches, and ceiling details.

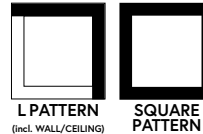
##### Custom Requests and Additional Options

Availability depends on insert, system, and configuration.  
Must consult factory and allow up to 5 business days for an answer.

RGB, light inserts with different wattages, light inserts on different circuits.

##### Configuration

Consult factory for patterns or custom designs  
Provide configuration drawings



\*Shop drawings provided upon receiving purchase order

#### Warranty

ZANEEN provides a limited warranty from date of purchase to original purchaser

**LED Inserts:** 5 year tested for 50,000 hours at 70% lumen output (L70)

**LED Driver:** 5 year

**Non-Electrical Components:** 1 year

\*Check boxes to complete specification order and submit to quotes@zaneen.com to receive a formal BOM and a finalized model number

\*In a constant effort to supply the best product, we reserve the right to change specifications or materials without notice. The most recent specification sheets are found at zaneen.com

### LEGEND

	floor-mounted		pivotable		special LED (upon request) RGB, RGBW, tunable, gold+, meat+, art+, fashion+
	wall and ceiling: recessed and surface mounted		rotating		warm dim / natural dimming LED
	ceiling-mounted and wall-mounted		illuminate tilted		rechargeable battery powered
	wall-mounted		color of suspension cable		fixture with natural vivid LED (upon request)
	omni-directional light distribution		length of suspension cable		color rendering index
	direct light distribution		reflector degree selection		color temperature
	direct/indirect light distribution		super spot		lumen (luminous flux)
	indirect light distribution		lens		efficacy (lumens per watt)
	asymmetric light distribution		lens pack		Unified Glare Rating (UGR) range from 5-40
	aura light distribution		shine ring		marine grade (AISI 316 stainless steel)
	round wall or ceiling cut-out		integrated shine ring with diffuser		walk on
	square wall or ceiling cut-out		free individual colors 01-29		drive on
	the supplied jig specifies the cutout dimensions		individual colors: 00 (free of charge), 01-25 (extra charge)		Dark Sky Compliance
	minimum distance (meters) lamp - object		luminaire part to be colored (F1)		Americans with Disabilities Act (less than 4" off the wall located between 27"-84" from floor)
	recessed depth		luminaire part to be colored (F2)		lamp protected against explosion
	ceiling thickness in mm		luminaire part to be colored (F3)		blown glass using traditional methods by master glass blower
	ceiling thickness selection		luminaire part to be colored (F4)		acoustic material
	dimmable DP (phase), DV (0-10V), DD (dali), DS (step-dim)		luminaire part to be colored (F5)		protection class I, protection insulation
	included or excluded LED driver/transformer/control gear		color of 3-circuit adaptor		protection class II, protection insulation
	separately switchable		indirect diffuser		ETL Certified to UL and CSA Standards
	sensor		direct diffuser		UL Certified to UL and CSA Standards
	remote control		ball-proof (upon request)		CSA Certified to UL and CSA Standards
	available upon request		accessory		Certified for North American Standards

### IP RATING

	protected against ingress of solid bodies greater than 12.5mm (finger)
	protected against ingress of solid bodies greater than 2.5mm protected against sprays of water up to 60 degrees from the vertical (rain)
	protected against ingress of solid bodies greater than 1mm (wire) no protection against the ingress of moisture
	protected against ingress of solid bodies greater than 1mm (wire) protected against sprays of water up to 60 degrees from the vertical (rain)
	protected against ingress of solid bodies greater than 1mm (wire) protected against water splashed from all directions
	protected against limited ingress of dust (wet rooms/covered outdoor areas) protected against water splashed from all directions
	protected against ingress of dust protected against jets of water
	protected against ingress of dust protected against powerful jets of water or heavy seas
	protected against ingress of dust protected against immersion of water between 15cm - 1m for 30 minutes
	protected against ingress of dust protected against immersion of water under pressure for long periods

### IK RATING

	protected against 0.14 joules impact (equivalent to 0.25kg mass dropped from 56mm above the surface)
	protected against 0.2 joules impact (equivalent to 0.25kg mass dropped from 80mm above the surface)
	protected against 0.35 joules impact (equivalent to 0.25kg mass dropped from 140mm above the surface)
	protected against 0.5 joules impact (equivalent to 0.25kg mass dropped from 200mm above the surface)
	protected against 0.7 joules impact (equivalent to 0.25kg mass dropped from 280mm above the surface)
	protected against 1 joules impact (equivalent to 0.25kg mass dropped from 400mm above the surface)
	protected against 2 joules impact (equivalent to 0.5kg mass dropped from 400mm above the surface)
	protected against 5 joules impact (equivalent to 1.7kg mass dropped from 300mm above the surface)
	protected against 10 joules impact (equivalent to 5.0kg mass dropped from 200mm above the surface)
	protected against 20 joules impact (equivalent to 5.0kg mass dropped from 400mm above the surface)

### WIRING DIAGRAMS

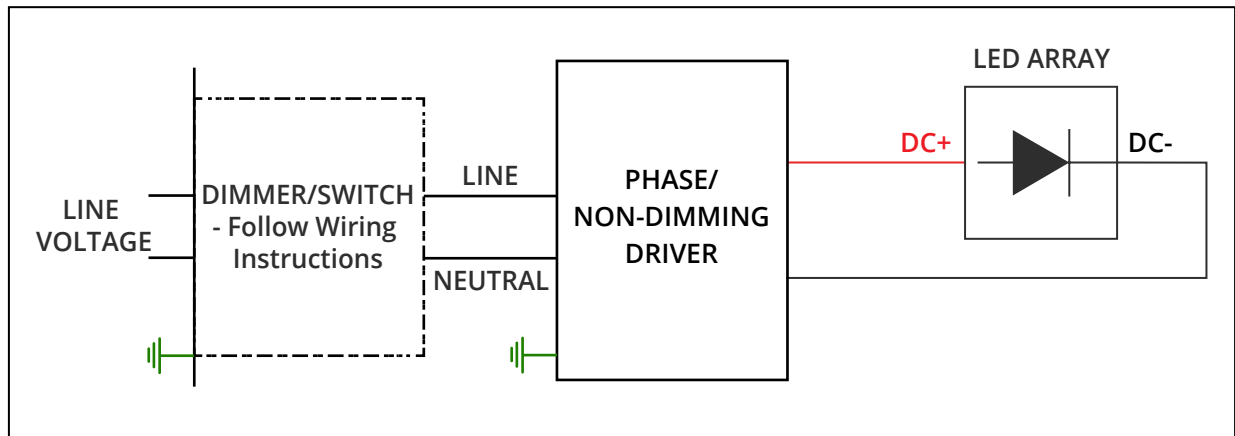
ALL ZANEEN FIXTURES ARE MANUFACTURED TO NORTH AMERICAN ELECTRICAL STANDARDS

Post Sales Support  
HQ 1-800-388-3382 X 625 support@zaneen.com

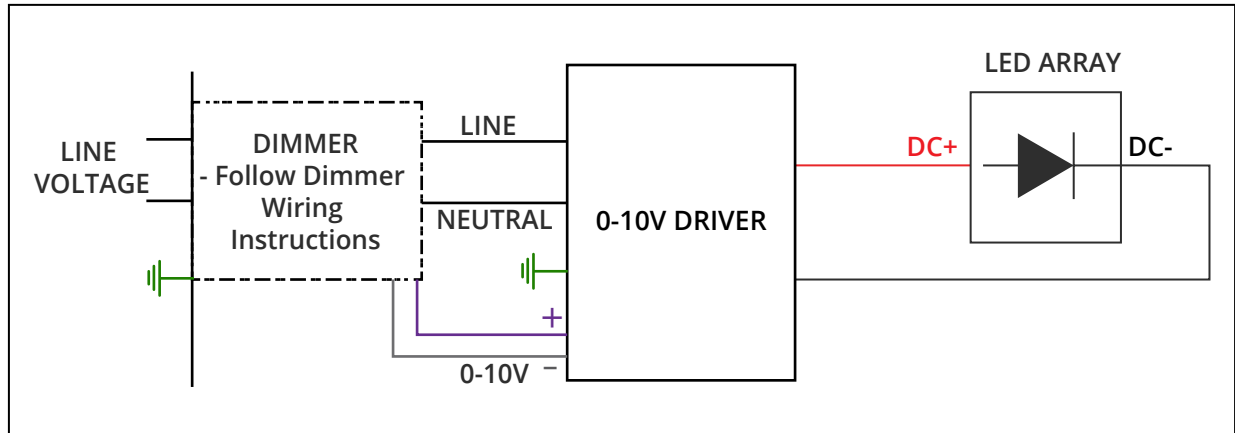
#### IMPORTANT

- Do NOT connect directly to line voltage
- There is a minimum and maximum load per driver (See fixture and driver specifications).
- Fixture MUST be connected to LED driver, prior to turning power on

#### PHASE/NON-DIMMING WIRING DIAGRAM



#### 0-10V DIMMING WIRING DIAGRAM



## 35 LINEAR MODULAR SYSTEM SPECIFICATION SHEET

PROJECT	_____
TYPE	_____
NOTES	_____
QUANTITY	_____
DATE	_____

Insert custom drawing here or attach with additional pages

