



IP 68





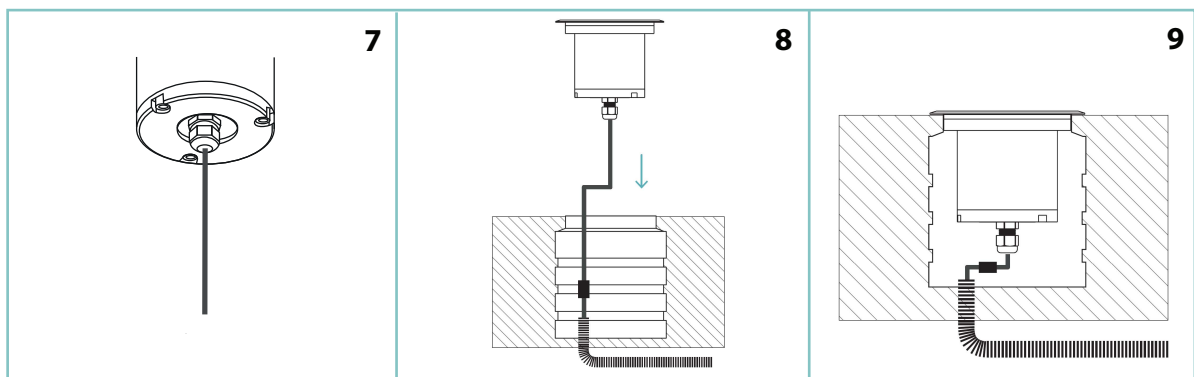
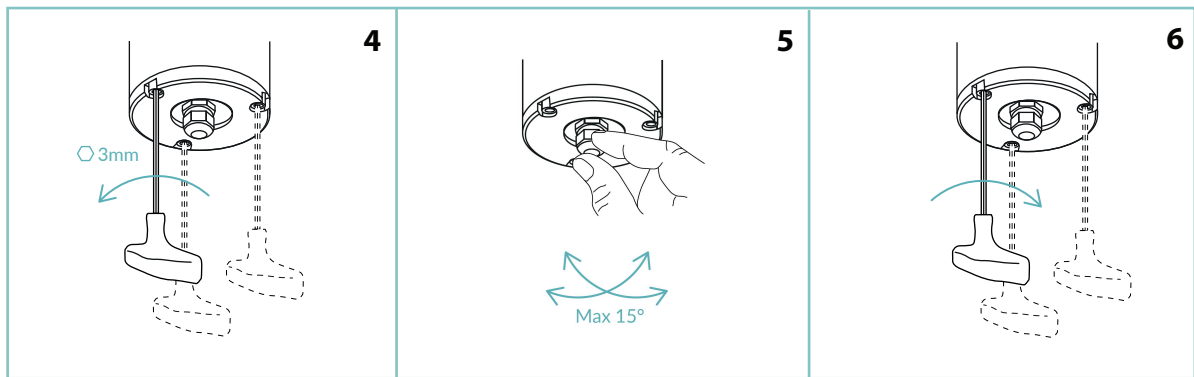
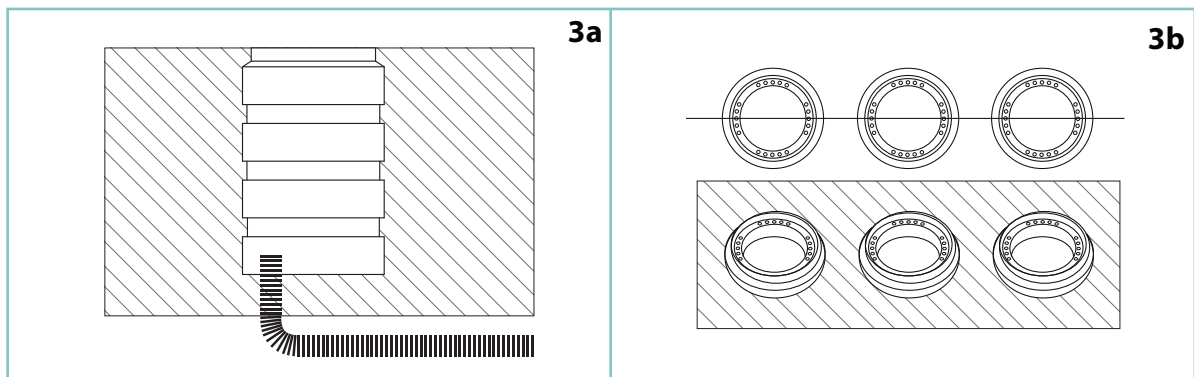
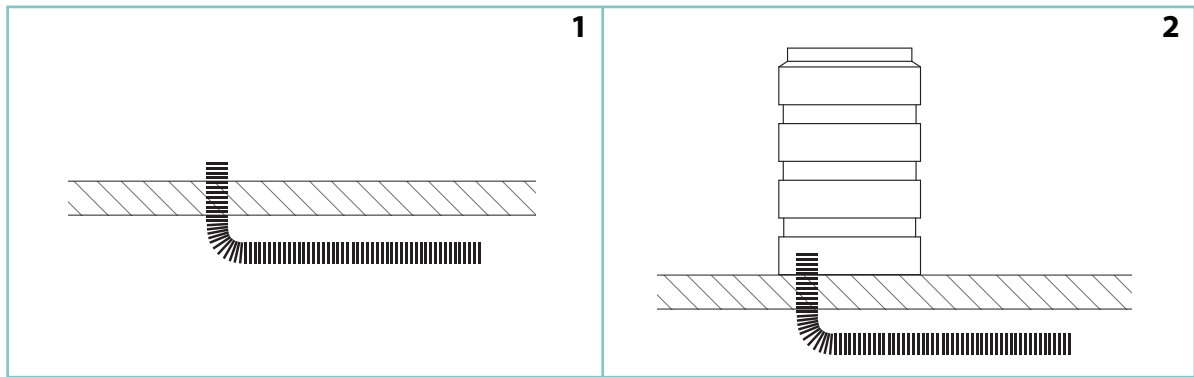
TERRA 120 D

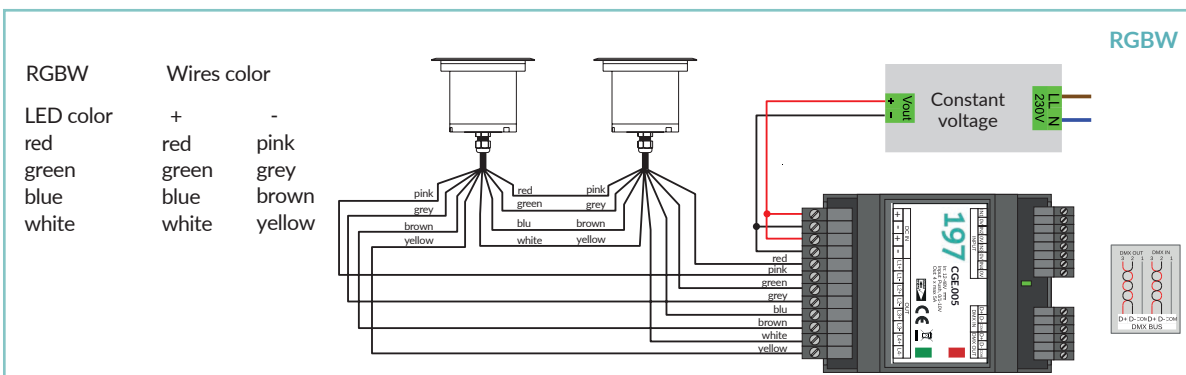
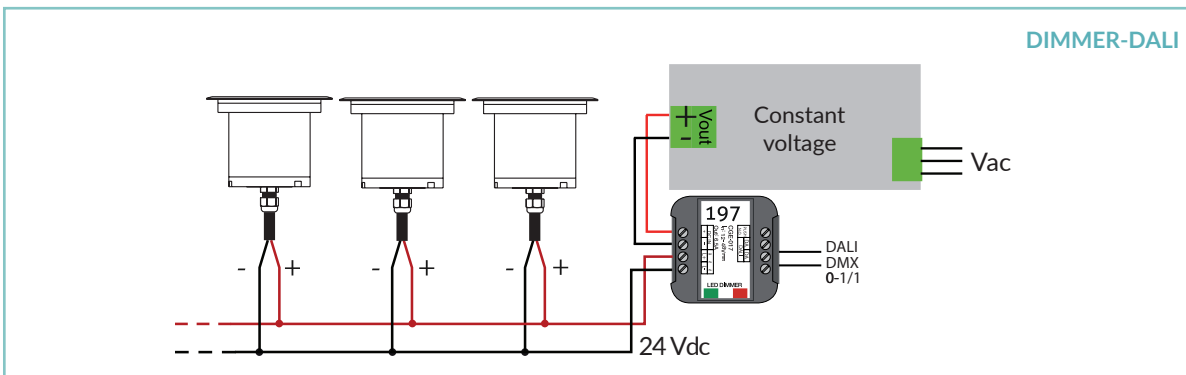
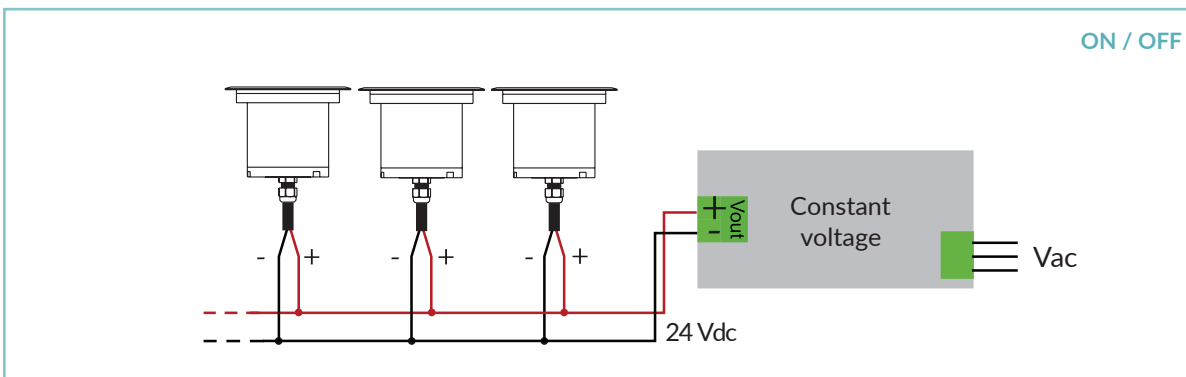
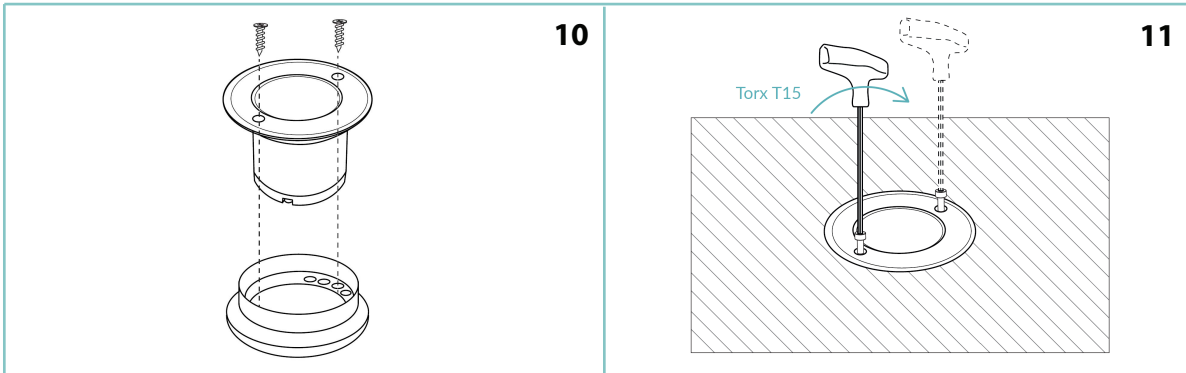
Terra 120 D is an extremely efficient in-ground directional driver-over LED up-light offering 360 degrees rotation and up to 15 degree tilt of the LED engine. Terra 120 D is available in RGBW and three monochromatic co, or temperature and delivers 90 CRI for excellent color rendering. Terra 120 D comes in AISI316L stainless steel or machined aged brass as standard finishes and other finishes upon request. Available in three beam angles and a housing box for more convenient ground installation.

NOTE!



This fixture is guaranteed only if installed with constant voltage drivers, supplied by Zaneen.





TECHNICAL DATA

Body:	Stainless Steel AISI316L - Anodized aluminum 6026 / Solid Brass
Glass:	Extra clear tempered 6mm glass
Finishes:	Stainless Steel AISI316L / Aged solid brass / Pre-Aged solid brass
Installation:	Housing box
Power Supply Cables:	35 cm NS20N PCP 2 x 0.5 mm ²
Power Supply:	Constant voltage 24Vdc Max
Power Consumption:	5Watt / 9 Watt / 9 Watt RGBW
CRI:	90
Bin selection:	Binning free 2 step MacAdam's
Lumen Output:	515 lm / 590 lm
Working Temperature:	-20°C +50°C
IP Rating:	IP68 (not for permanent immersion)
Insulation Class:	III
IK:	08
Weight:	900 kg
Optics:	10° / 35° / 50° / 35° RGBW
Energy Rating:	A++
Colour Temperature:	2700K / 3000K / 4000K / RGBW
Lifetime LED:	50000 hrs
Photo biological risk:	RG0 / RG1

WARNING!



Do not cover the light fixture, make sure it is guaranteed the cooling of the lamp.

Never connect or disconnect the fixture when the driver is powered.

The safety of the fitting is guaranteed by the correct use of the following instructions. It is therefore necessary to keep them.

When carrying out all assembly, maintenance and fixture replacement operations, make sure that the power is off.

The fitting should be installed by qualified installers.

IMPORTANT

Post Sales Support HQ 1-800-388-3382 support@zaneen.com



EN

- Installation and electrification must be carried out by a qualified electrician, only.
- Observe all relevant building codes and regulations.
- Prior to installation or repair: disconnect power; it is the installer's responsibility to ensure for all electrical, mechanical and thermal compatibility.
- The LED light source contained in this fixture shall only be replaced by Zaneen, or a person approved by Zaneen.
- Recommendations: Keep the instruction sheet(s) in the event of maintenance and/or disassembly.

Access detailed specification sheets and the warranty policy on the product page at zaneen.com.

FR

- L'installation et l'électrification doivent être effectuées uniquement par un électricien qualifié.
- Respectez tous les codes du bâtiment et réglementations en vigueur.
- Avant l'installation ou la réparation: débranchez l'alimentation électrique; Il incombe à l'installateur des'assurer de la compatibilité électrique, mécanique et thermique.
- La source de lumière LED contenue dans ce luminaire ne doit être remplacée que par Zaneen, ou une personne approuvée par Zaneen.
- Recommandations: Conservez la (les) fiche (s) d'instructions en cas de maintenance et / ou de démontage

Accéder aux fiches techniques détaillées et à la politique de garantie sur la page du produit sur zaneen.com