



IP 68





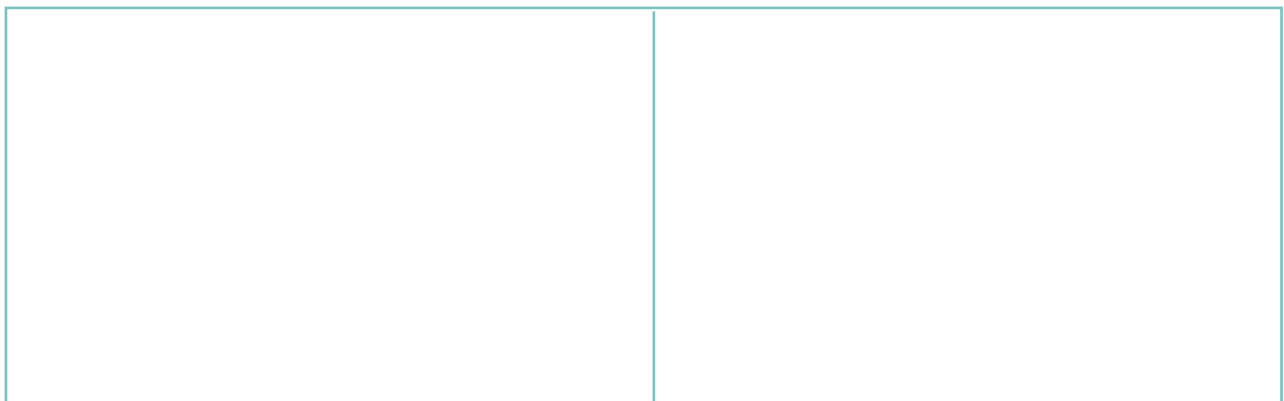
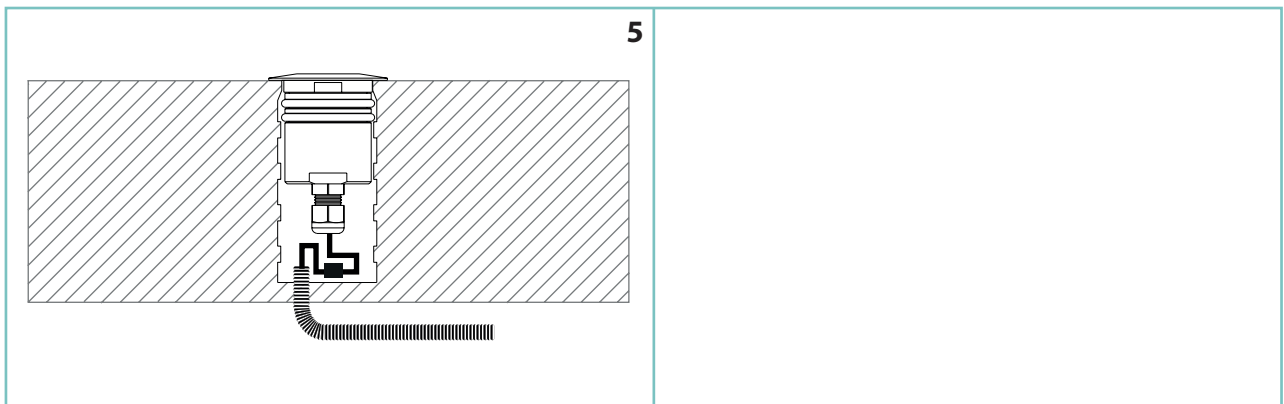
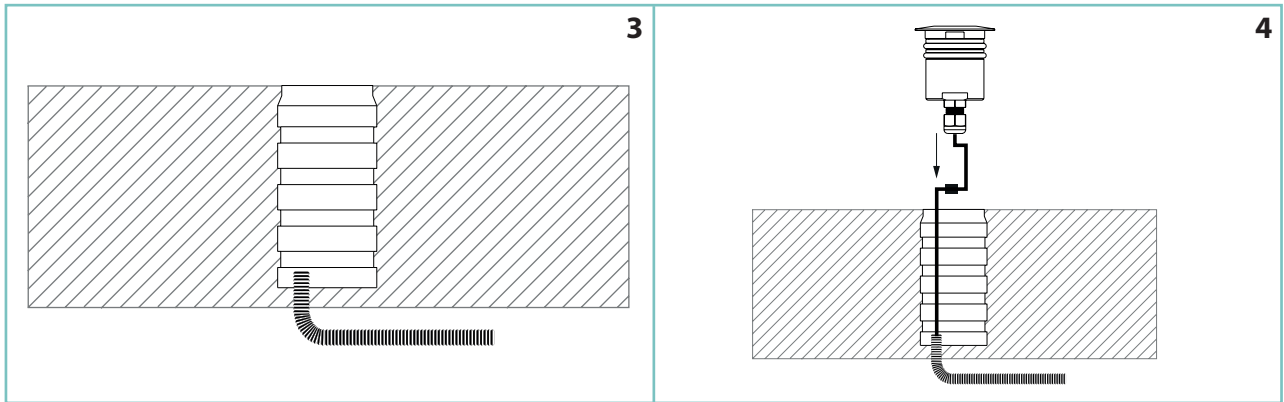
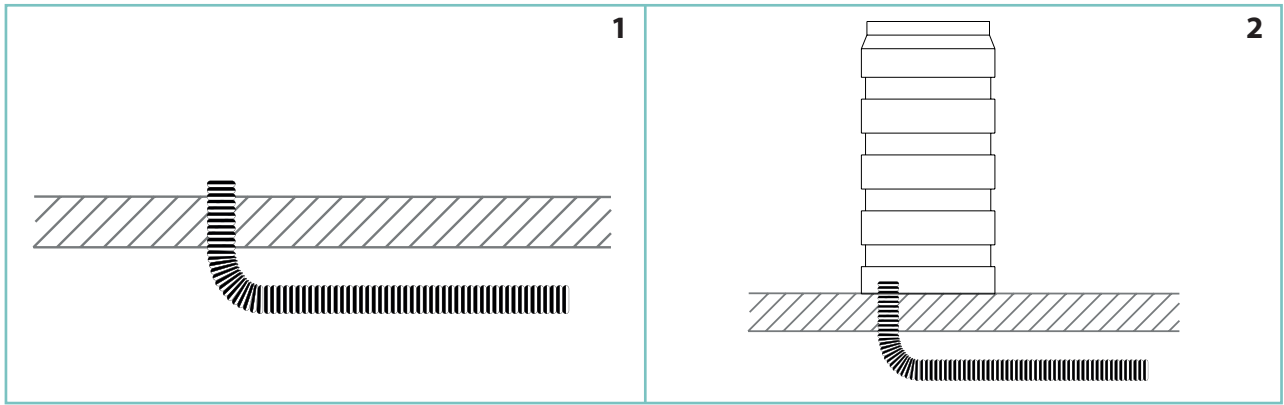
## **TERRA 55 SUB**

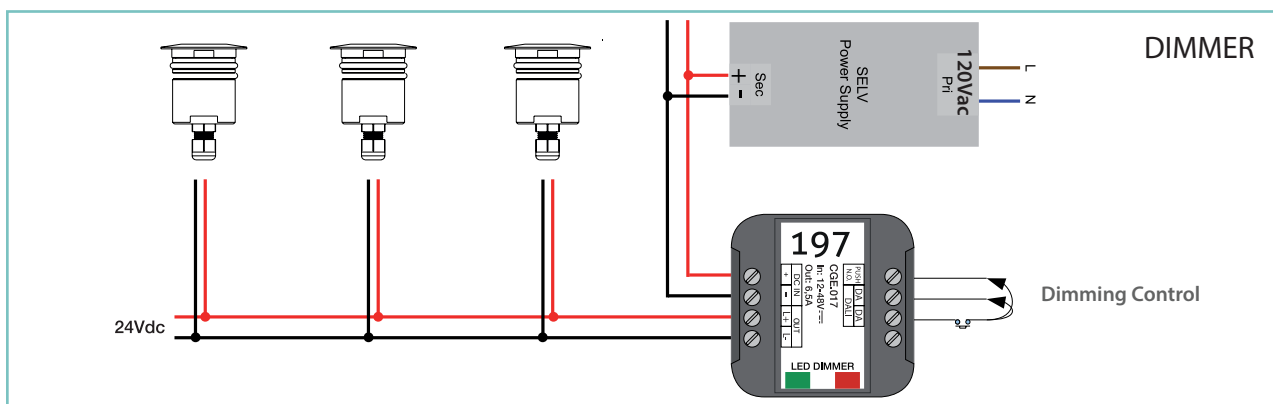
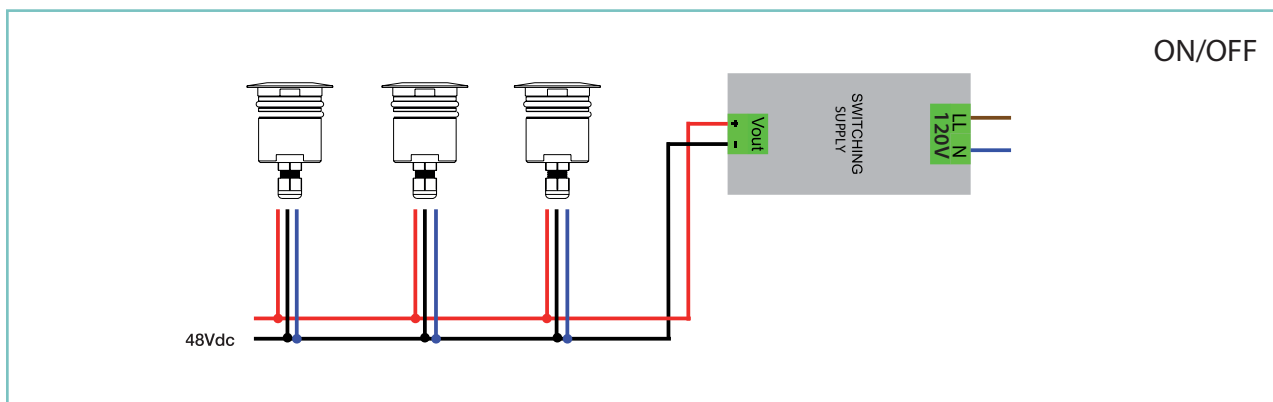
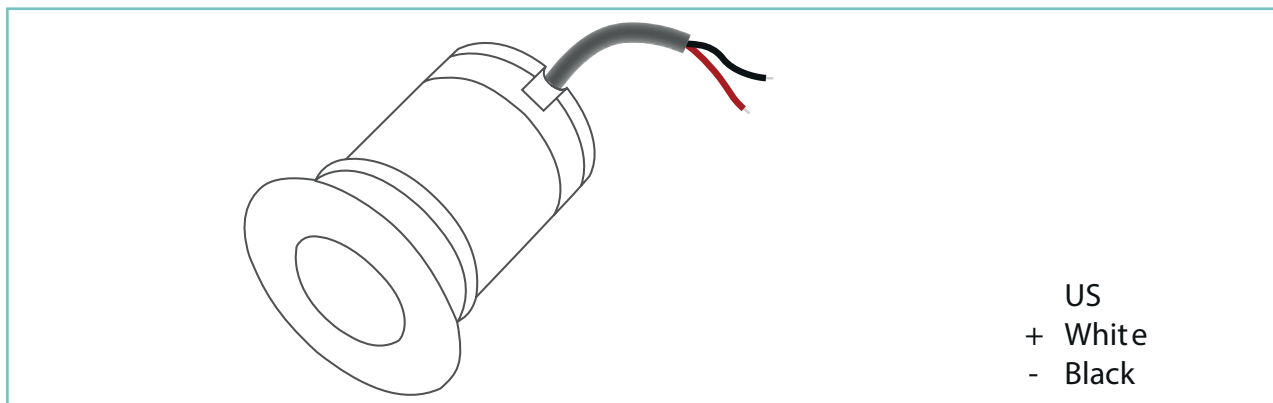
Terra 55 Sub is an extremely efficient compact underwater recessed LED projector, designed for optical excellence and engineered for complete resilience. Terra 55 sub offers a choice of three colour temperatures as standard (2700K, 3000K and 4000K) and delivers 90CRI for excellent colour rendering, and with binning-free LEDs carefully selected from two-step Macadam's ellipses, colour consistency is assured throughout the unonovesette portfolio. With a deep recess of the in-house designed PCB, Terra 55 sub offers excellent glare control. Available with a choice of four beam angles (10°, 23°, 43° and 10°x45°).

### NOTE!



This fixture is guaranteed only if installed with constant voltage 197 drivers.





**TECHNICAL DATA / SCHEDA PRODOTTO:**

Body:	Machined, electropolished stainless steel AISI316L	Corpo:	Acciaio inossidabile AISI316L lavorato elettrolucidato
Glass:	Extra clear 4mm tempered glass	Vetro:	Vetro temperato extra chiaro 4mm
Finishes:	Electropolished stainless steel AISI316L	Finiture:	Acciaio inossidabile elettrolucidato AISI316L
Installation:	Recessed in housing box	Fissaggio:	Incasso in cassaforma
Power Supply Cables:	500cm NS20N PCP 2x0.5 mm <sup>2</sup>	Cavi di alimentazione:	500cm NS20N PCP 2x0,5 mm <sup>2</sup>
Power Supply:	Constant voltage 24Vdc Max	Alimentazione:	Tensione costante 24VdcMax
Power Consumption:	2 Watt Max	Potenza assorbita:	2 Watt Max
CRI:	>90	CRI:	>90
Bin selection:	Binning free 2 step MacAdam's	Selezione Bin:	Binning free 2 step MacAdam's
Lumen Output:	127 lm	Flusso luminoso:	127 lm
Working Temperature:	-20°C +45°C	Temperatura di funzionamento:	-20°C +45°C
IP Rating:	IP68 ( <b>1 meters underwater</b> )	Grado di protezione:	IP68 (1 metri in immersione)
Insulation Class:	III	Classe di isolamento:	III
IK:	08	IK:	08
Weight:	280 g	Peso:	280 g
Optics:	10° / 23° / 43° / 10°X40°	Ottiche:	10° / 23° / 43° / 10°X40°
Energy Rating:	A++	Classe di consumo energetico:	A++
Colour Temperature:	2200K / 2700K / 3000K / 4000K	Temperatura colore:	2200K / 2700K / 3000K / 4000K
Lifetime LED:	100000 hrs	Vita media LED:	100000 hrs
Photo biological risk:	RG0 / RG1	Rischio fotobiologico:	RG0 / RG1

**WARNING! /ATTENZIONE!**



Do not cover the light fixture, make sure it is guaranteed the cooling of the lamp.

Non coprire l'apparecchio, assicurarsi che sia garantito il corretto raffreddamento della lampada.

Never connect or disconnect the fixture when the driver is powered.

Durante la connessione e la disconnessione dell'apparecchio assicurarsi che l'alimentatore non sia alimentato.

The safety of the fitting is guaranteed by the correct use of the following instructions. It is therefore necessary to keep them.

La sicurezza dell'apparecchio é garantita dall'osservanza di queste istruzioni pertanto si raccomanda di conservarle.

When carrying out all assembly, maintenance and fixture replacement operations, make sure that the power is off.

Tutte le operazioni di montaggio,manutenzione e sostituzione dell' apparecchio, vanno eseguite assicurandosi che la rete di alimentazione sia disinserita.

The fitting should be installed by qualified installers to comply with the HD 384 standards.

*L'installazione deve essere effettuata da installatori qualificati nel pieno rispetto della normativa.*

**IMPORTANT**

Post Sales Support HQ 1-800-388-3382 support@zaneen.com



EN

• **Suitable for installation up to 1m deep fountains not intended for the partial or total immersion of persons**

- Installation and electrification must be carried out by a qualified electrician, only.
- Observe all relevant building codes and regulations.
- Prior to installation or repair: disconnect power; it is the installer's responsibility to ensure for all electrical, mechanical and thermal compatibility.
- The LED light source contained in this fixture shall only be replaced by Zaneen, or a person approved by Zaneen.
- Recommendations: Keep the instruction sheet(s) in the event of maintenance and/or disassembly.

Access detailed specification sheets and the warranty policy on the product page at [zaneen.com](http://zaneen.com).

FR

• **Convient pour l'installation de fontaines jusqu'à 1m de profondeur non destinées à l'immersion partielle ou complète des personnes**

- L'installation et l'électrification doivent être effectuées uniquement par un électricien qualifié.
- Respectez tous les codes du bâtiment et réglementations en vigueur.
- Avant l'installation ou la réparation: débranchez l'alimentation électrique; Il incombe à l'installateur des'assurer de la compatibilité électrique, mécanique et thermique.
- La source de lumière LED contenue dans ce luminaire ne doit être remplacée que par Zaneen, ou une personne approuvée par Zaneen.
- Recommandations: Conservez la (les) fiche (s) d'instructions en cas de maintenance et / ou de démontage

Accéder aux fiches techniques détaillées et à la politique de garantie sur la page du produit sur [zaneen.com](http://zaneen.com)