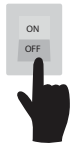
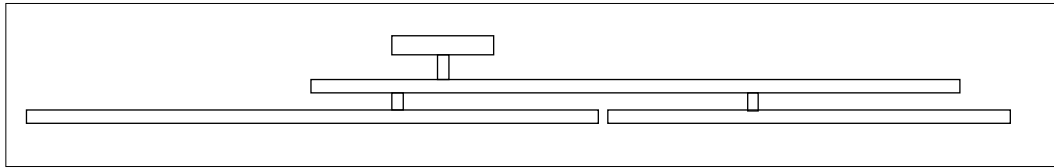




IP 20

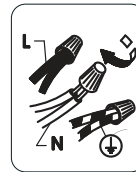




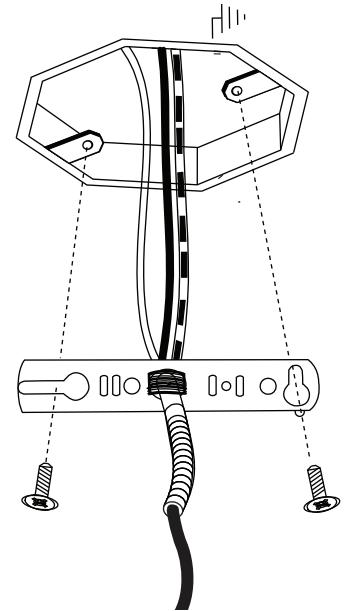
ON

OFF

**Attention !**  
Do not plug in or unplug the  
connector when power is on!  
120V 50/60HZ



Junction Box



**FIG. A**

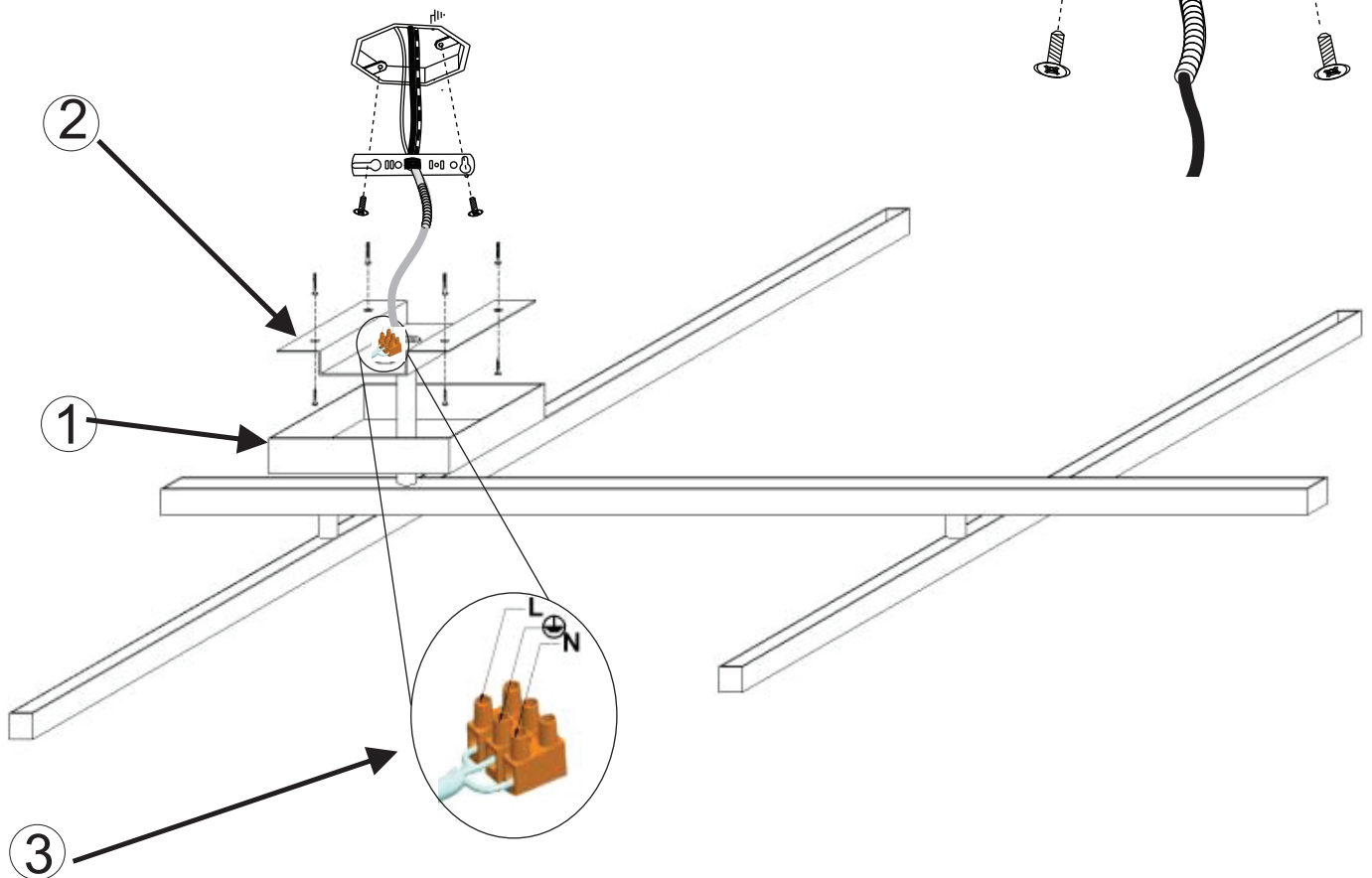


FIG. B

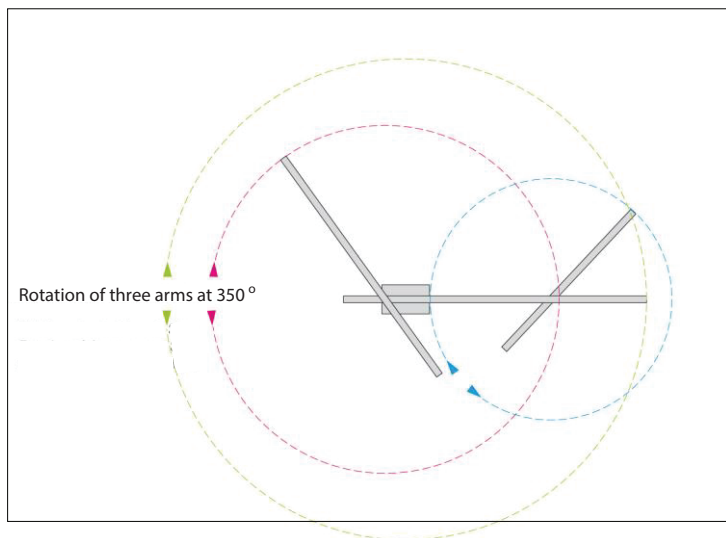
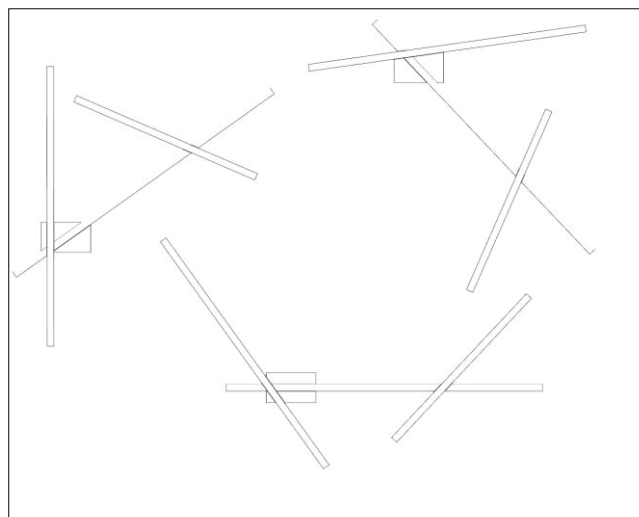


FIG. C



**OPERATION AND USE INSTRUCTIONS**

**ATTENTION: PLEASE READ AND SAVE THESE INSTRUCTIONS**

The safety of this fitting is only guaranteed if the instructions are followed carefully.

Installation and all non-routine maintenance must be carried out only by qualified personal.

**Disconnect main voltage before taking any action on the fitting.** Zaneen is not responsible for any damage to persons and/or property resulting from improper installation, misuse, or unauthorized modifications made to their products.

**FIGURE A:**

- Open the canopy 1  
The canopy is attached with magnets, in order to open it simply pull.

- Fix the plate 2 to the ceiling (Template for holes enclosed).

**Warning:** Please use fixing tools suitable to the weight of the luminaire and to the type of ceiling.

- Connect the wires from the mains to terminal 3 by following the directions on the terminal.  
for dimmer-connection follow the attached diagram  
- Close the canopy 1.

**FIGURE B:**

- Position the three arms according to your personal test. The maximum rotation is 350°.

**FIGURE C:**

Figure C illustrates example of possible positioning.

**MAINTENANCE**

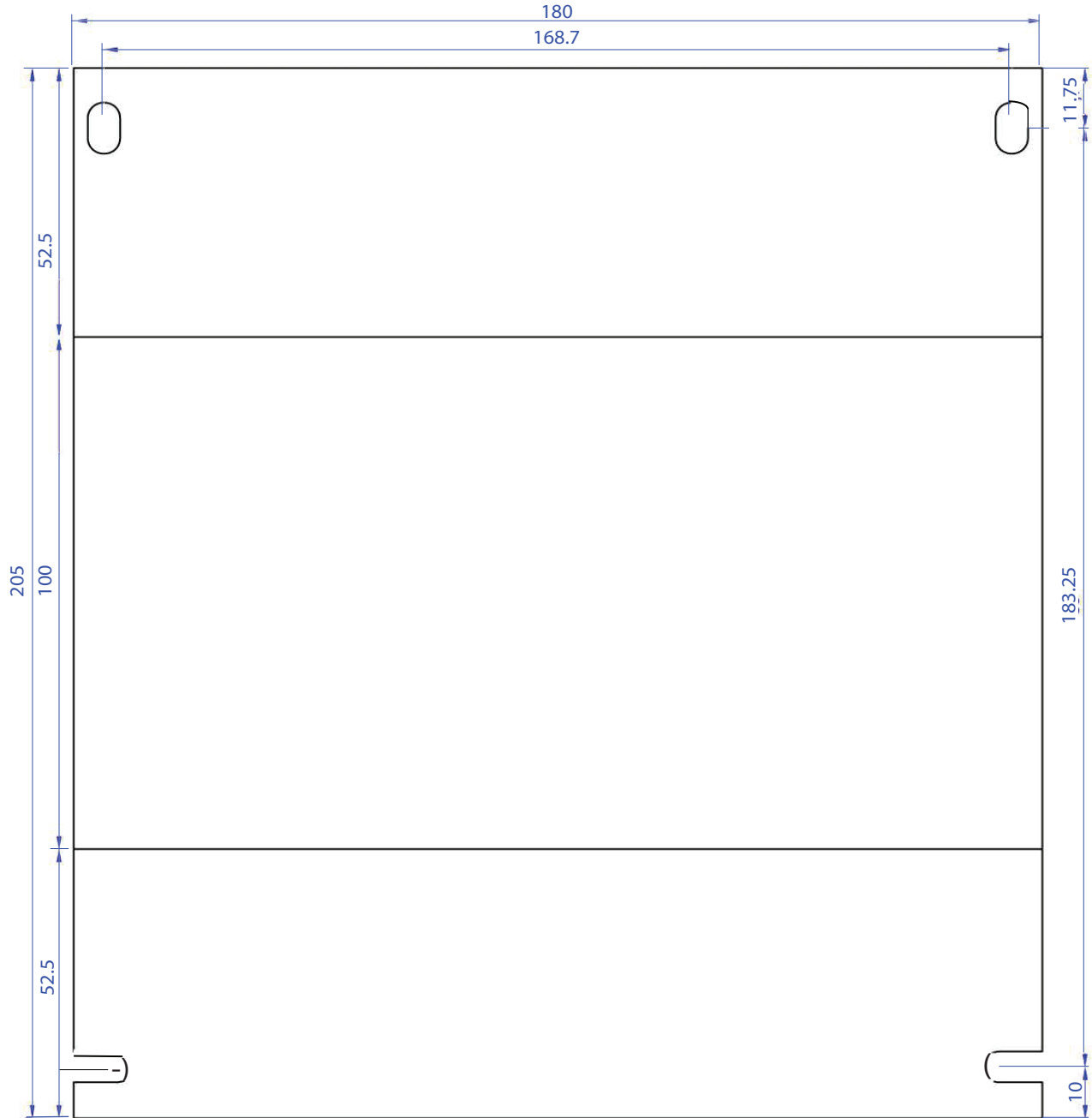
Only clean the product using soft cloth. To remove persistent marks use only damp cloth and neutral soap.  
DONT USE alcohol and/or solvent.

Fixtures with led: the led cannot be partially replaced.  
If damaged all the power supply must be replaced.



The device may not be disposed of with household rubbish. This appliances is labelled in accordance with European Directive concerning used electrical and electronic appliances (waste electrical and electronic equipment - WEEE). The guideline determines the framework for the return and recycling of used appliances as applicable throughout the EU. To return your used device, please use the return and collection systems available to you.

TEMPLATE FOR HOLES



**IMPORTANT**

Post Sales Support HQ 1-800-388-3382 support@zaneen.com



**EN**

- Installation and electrification must be carried out by a qualified electrician, only.
- Observe all relevant building codes and regulations.
- Prior to installation or repair: disconnect power; it is the installer's responsibility to ensure for all electrical, mechanical and thermal compatibility.
- The LED light source contained in this fixture shall only be replaced by Zaneen, or a person approved by Zaneen.
- Recommendations: Keep the instruction sheet(s) in the event of maintenance and/or disassembly.

Access detailed specification sheets and the warranty policy on the product page at [zaneen.com](http://zaneen.com).

**FR**

- L'installation et l'électrification doivent être effectuées uniquement par un électricien qualifié.
- Respectez tous les codes du bâtiment et réglementations en vigueur.
- Avant l'installation ou la réparation: débranchez l'alimentation électrique; Il incombe à l'installateur des'assurer de la compatibilité électrique, mécanique et thermique.
- La source de lumière LED contenue dans ce luminaire ne doit être remplacée que par Zaneen, ou une personne approuvée par Zaneen.
- Recommandations: Conservez la (les) fiche (s) d'instructions en cas de maintenance et / ou de démontage

Accéder aux fiches techniques détaillées et à la politique de garantie sur la page du produit sur [zaneen.com](http://zaneen.com)