



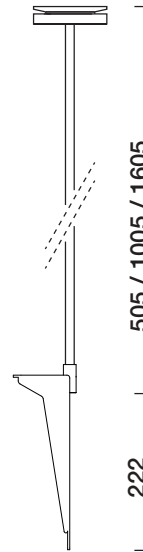
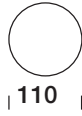
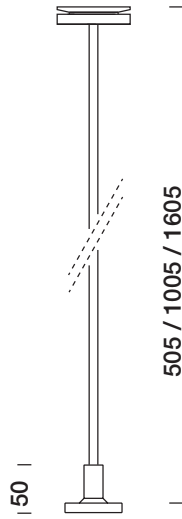
IP 65



TECHNICAL DATA

CHIODINO			
Supply	24V - Constant Voltage - Universal with Remote Driver		
9W LED	2700K 470 lm	3000K 470 lm	4000K 490 lm
Protection degree	IP 65 - IK 07		
Weight	0.39 kg / 0.44 kg / 0.52 kg		

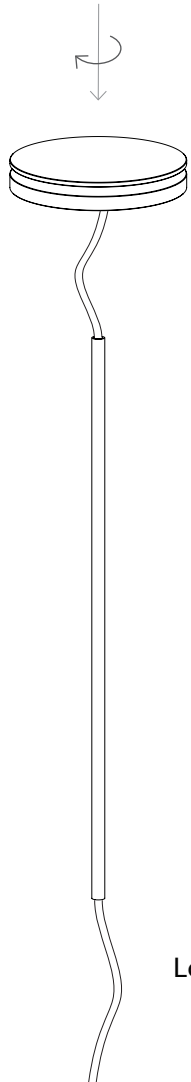
TECHNICAL DATA



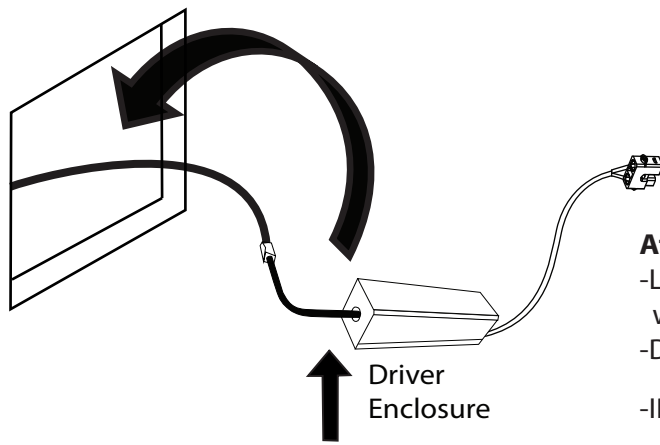
E9B293-
E9B294-
E9B295-

E9B296-
E9B297-
E9B298-

INSTALLATION SPIKE



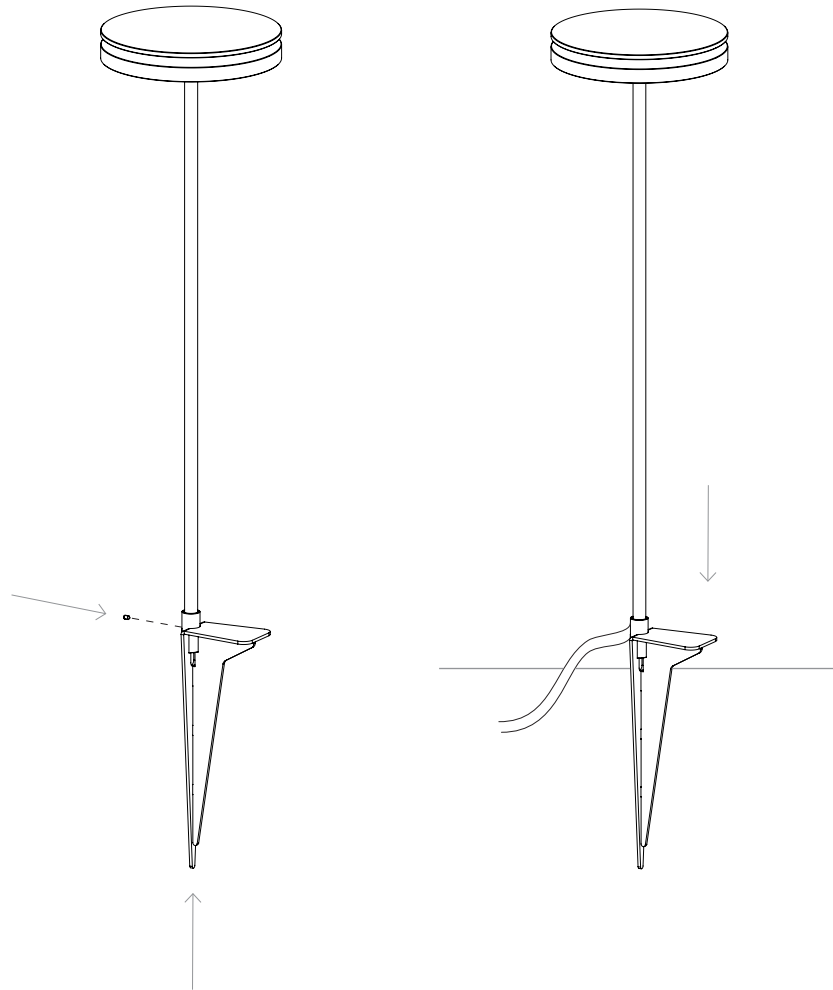
Low Voltage



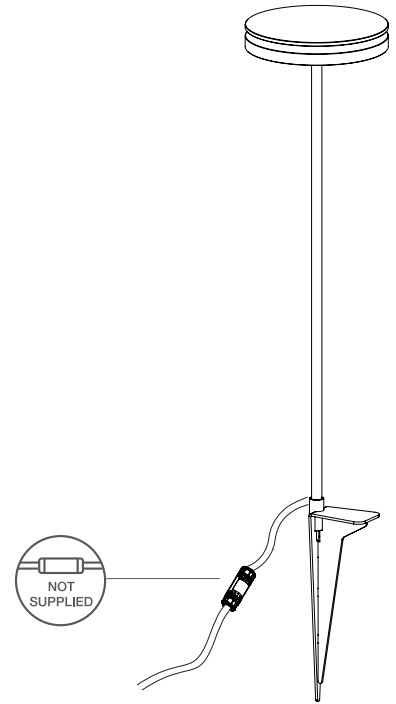
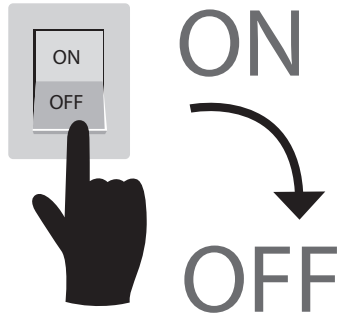
Attention:

- LED must not be plugged in or out when power is on
- Don't switch the secondary side
- IP65 Rated enclosure provided by Zaneen

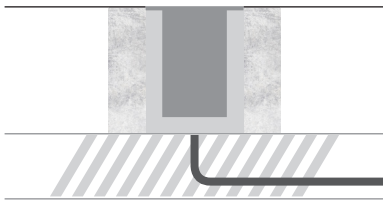
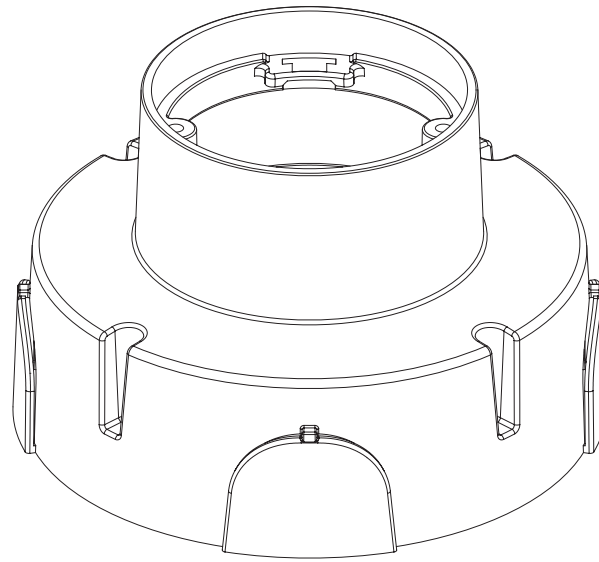
INSTALLATION SPIKE



INSTALLATION SPIKE



INSTALLATION BOLLARD

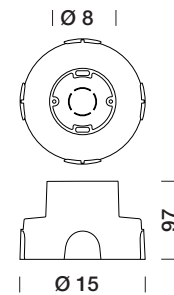


EN Place the bottom of the sleeve on a 30 cm drainage bed made of gravel;

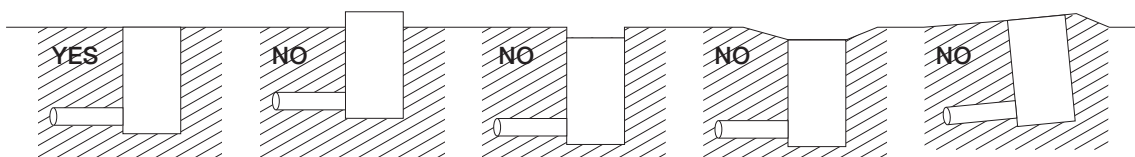
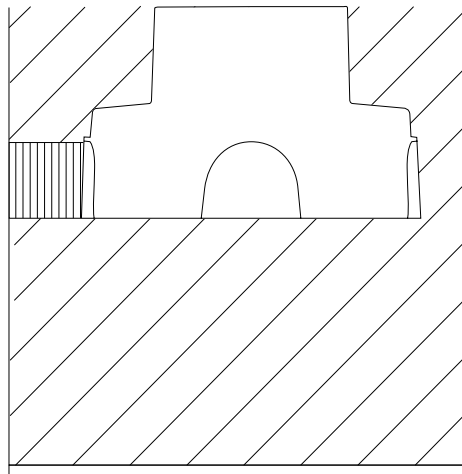
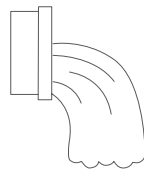
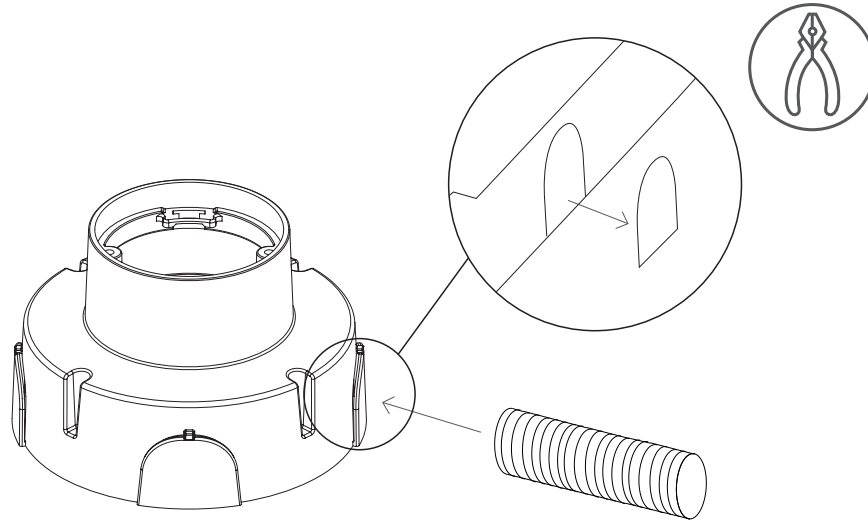
Place the sleeve so that the upper edge of the ring - which must be visible - is flush with the finished floor;

Fill the tube of water and check that it completely disappears within 30 min. If it doesn't work study a further drainage system;

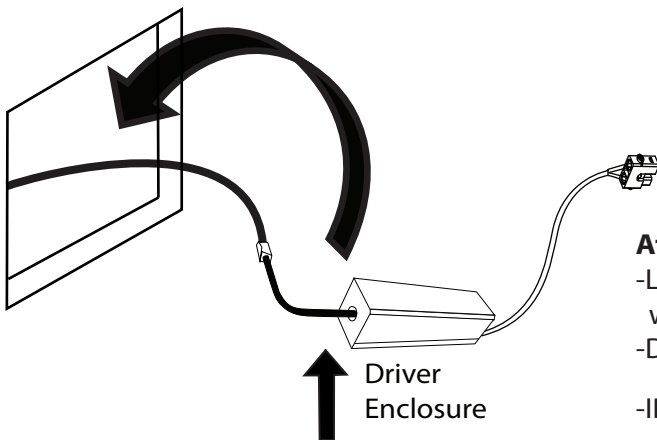
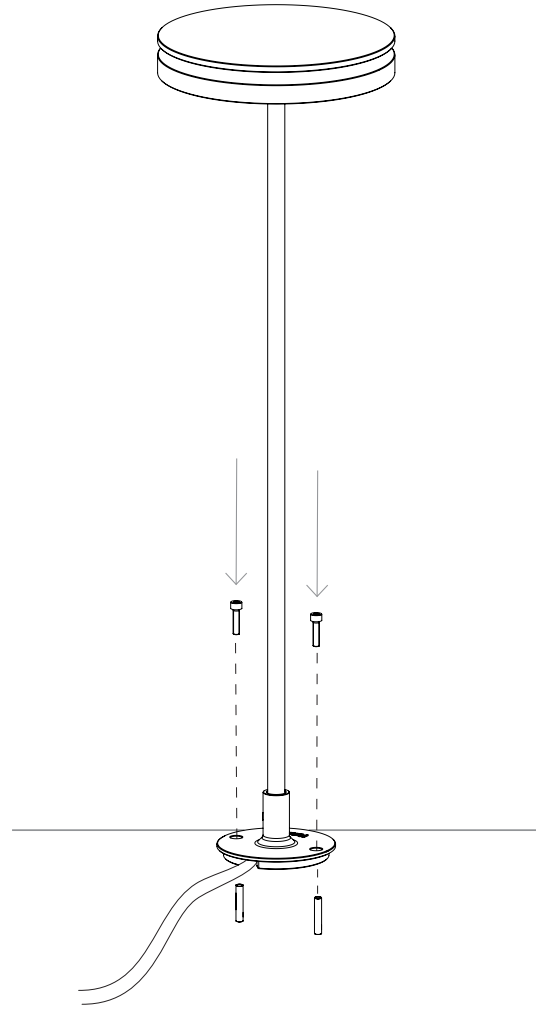
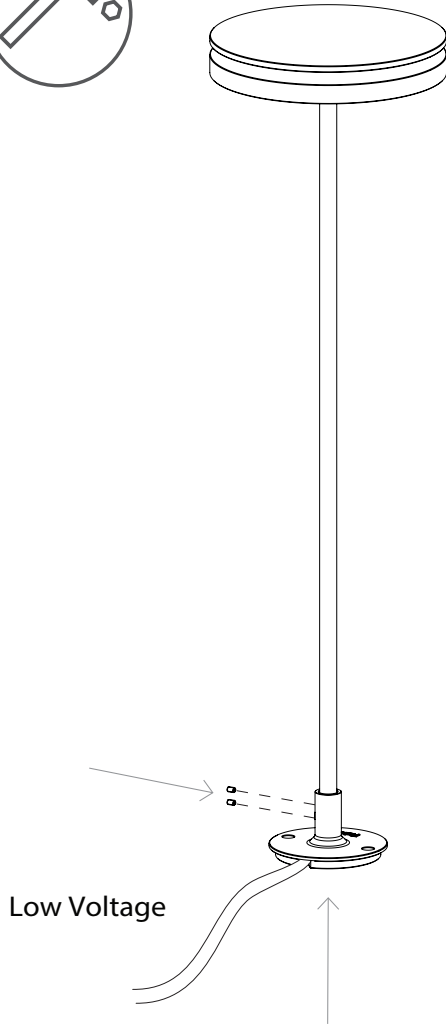
To fix the sleeve to the ground do not use products which may prevent heat loss, such as resins or foams.



INSTALLATION BOLLARD



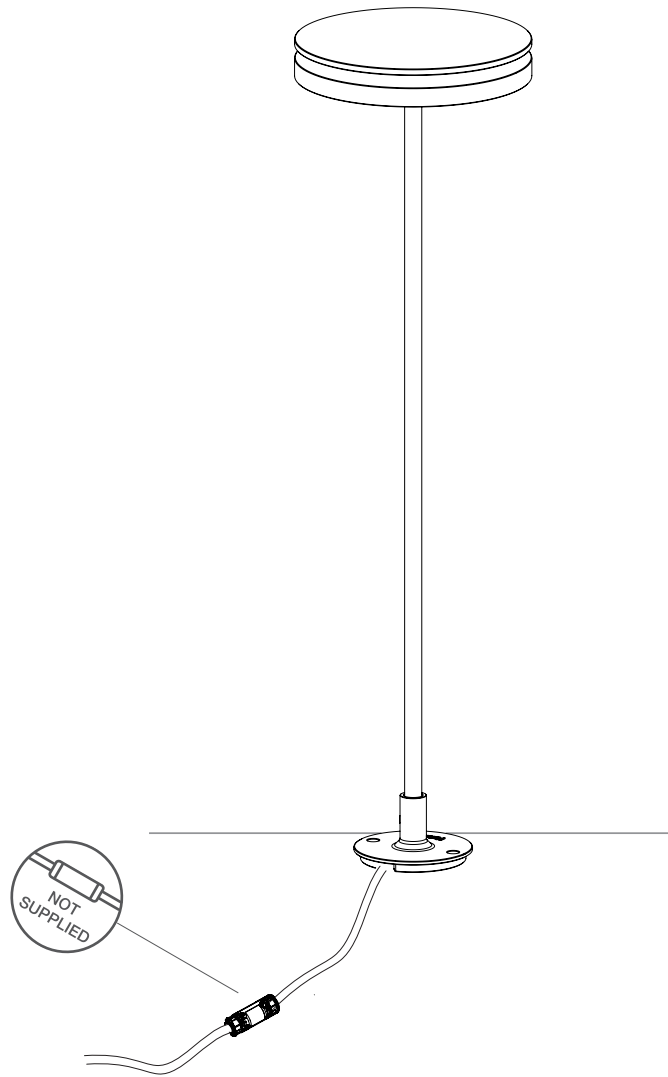
INSTALLATION BOLLARD



Attention:

- LED must not be plugged in or out when power is on
- Don't switch the secondary side
- IP65 Rated enclosure provided by Zaneen

INSTALLATION BOLLARD





EN Maintenance

Clean the devices periodically by removing dirt build-up that may settle on the grids or screw heads.

EN Instructions for device cleaning

When cleaning the devices, use neutral, non-aggressive or abrasive cleaning agents and avoid contact between liquids and electrical components.

EN Avoid contact with chemicals

No part of the device should be in direct contact with aggressive chemicals (e.g. fertilisers, herbicides, etc.).

EN Any changes to the device are forbidden without prior authorisation

The safety of the device and its proper functioning is only guaranteed by complying with European electrical regulations.

Post Sales Support

HQ 1-800-388-3382 support@zaneen.com



EN

- Installation and electrification must be carried out by a qualified electrician, only.
- Observe all relevant building codes and regulations.
- Prior to installation or repair: disconnect power; it is the installer's responsibility to ensure for all electrical, mechanical and thermal compatibility.
- The LED light source contained in this fixture shall only be replaced by Zaneen, or a person approved by Zaneen.
- Recommendations: Keep the instruction sheet(s) in the event of maintenance and/or disassembly.

Access detailed spec sheets from www.zaneen.com

FR

- L'installation et l'électrification doivent être effectuées uniquement par un électricien qualifié.
- Respectez tous les codes du bâtiment et réglementations en vigueur.
- Avant l'installation ou la réparation: débranchez l'alimentation électrique; Il incombe à l'installateur des'assurer de la compatibilité électrique, mécanique et thermique.
- La source de lumière LED contenue dans ce luminaire ne doit être remplacée que par Zaneen, ou une personne approuvée par Zaneen.
- Recommandations: Conservez la (les) fiche (s) d'instructions en cas de maintenance et / ou de démontage

Accéder aux fiches techniques détaillées sur www.zaneen.com

Disclaimer: Applicable only when Zaneen's lighting fixtures are properly installed on correct line voltage, and under normal conditions of use.

Zaneen Warranties are itemized below:

- All products to be free from defect in materials and workmanship: 1 Year (12 months) Limited Warranty from the invoice date (excluding lamps)
- LED engines and Power Supplies: 5 Years Limited Warranty from the invoice date.
- Transformers and Ballast Warranty: 3 years Limited Warranty from the invoice date.
- Purchaser's sole recourse after the warranty period, for defective power supplies, ballasts or other components manufactured by a third party, is against such third-party manufacturer.

Warranty claims regarding the product(s) must be submitted in writing within 30 days, of discovery of the defect.

Zaneen uses only electrical components, which are produced by responsible manufacturers. Components that may fail in service within the warranty period, under normal use, will be replaced at no charge.

Zaneen will not assume labour or transportation charges in connection with replacement of such parts, nor for removal or re-installation of equipment or parts, nor for consequential damages or losses.

The warranty extended to Zaneen by the manufacturers of the electrical components is passed on to our customers.

At its option, Zaneen will repair or replace, any fixture defective as provided herein if such fixture is returned by the purchaser within the warranty period, provided Zaneen has issued a written "Return Goods Authorization". Such repair or replacement is the exclusive remedy against Zaneen and Zaneen is not responsible for damage of any sort whatsoever, including incidental and consequential damages or losses.

This warranty extends only to replacement defective fixtures or components and no allowance will be made for labour or transportation charges in connection with replacement of such parts, nor for removal or re-installation of equipment or parts unless specifically authorized in writing by Zaneen prior to any work being performed.

This warranty only applies when the products are installed in applications in which ambient temperatures are within normal temperatures and are operated within the electrical values shown on the LED driver label.

Zaneen Interior rated luminaries are not protected from environmental conditions, such as salt content from sea air. Therefore, any damages resulting from exposure to salt air, or other harmful environmental conditions, will not be covered under Zaneen Warranty.

Zaneen will not be responsible under warranty for any failure of the product that results directly or indirectly from improper installation and/or external causes such as: acts of nature, physical damage, and exposure to adverse or hazardous chemicals or other substances, use of harsh cleaning agent or harsh chemicals.

Warranty for any substantial deterioration in the product finish caused by failure to clean, inspect or maintain the finish of the product. The end user is responsible for the structural integrity of existing foundations, anchorages, or structures and all consequences arising from their use.

Zaneen will not be responsible under warranty for any failure of the product that results directly or indirectly from improper installation and/or external causes such as: acts of nature, physical damage, and exposure to adverse or hazardous chemicals or other substances, use of harsh cleaning agent or harsh chemicals.

The end user is responsible for the structural integrity of existing foundations, anchorages, or structures and all consequences arising from their use.