

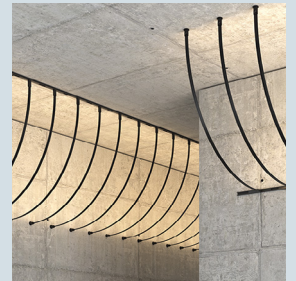
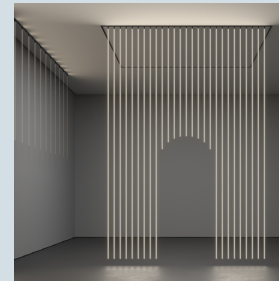
PROJECT	_____
TYPE	_____
NOTES	_____
QUANTITY	_____
DATE	_____



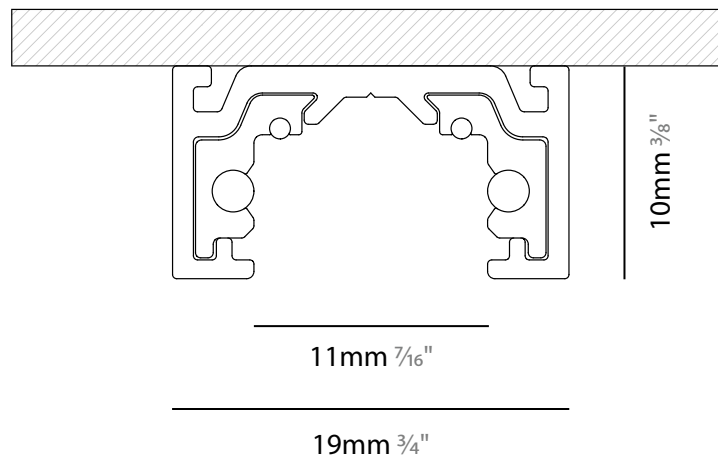
The system is composed of three main LED light sources: DOT, GRID and DASH. The elementary shapes of round, square and line form the basis of a kit of parts which allows infinite possibilities to design graphic lighting sculptures. Run at full power, these arrays deliver raw, unfiltered light. Dimmed down, the boards act as decorative elements: graphic patterns of light, which pop out and appear to float against black backgrounds.

ARCHITECTURAL | CODE SYSTEM

The perfect merge of expertise in technical lighting engineering with the discernible Tom Dixon design and aesthetic. The CODE SYSTEM works with the same track as Minimal Track, the smallest track solution possible that offers individual control of each luminaire, enabling total flexibility of a space. CODE utilizes bare LEDs on circuit boards that can be used to create thin strips, delicate chains and continuous columns of light. This liberates architects and specifiers to play with what could almost be considered the CODE construction toy box.



SYSTEM PROFILE



CODE SURFACE SYSTEM SPECIFICATION SHEET

PROJECT _____
 TYPE _____
 NOTES _____
 QUANTITY _____
 DATE _____

SYSTEM GUIDE

To make your product selection and complete system specification, proceed with the following: review system options, create your system code in the field below and include your quantity. For the inserts and components, use the field beside each product name. Submit to quotes@zaneen.com to receive a formal BOM and finalized model numbers.

UPON REQUEST
 Additional Options _____
 _____ Color Temperature
 _____ Lumen Outputs
 _____ 0-10V Dimming
 _____ Beam Angle
 _____ CRI



EXAMPLE A3CODE-SUR-SYS-UNV-DN-1'S-01-D-01

SYSTEM BUILD CODE: A3CODE-SUR-SYS- qty

ELECTRICAL	Voltage	Dimming	Circuit
	UNV - 120/277V	DN - Non Dimming	EMCIR - Emergency Circuit
	120 - 120V	DD - DALI (100-1%)	
	347 - 347V	MT - Matter Dimming	

LAYOUT	Fixture Head Spacing	Run Shapes	Profile Finish	Power Feed
	1' - on center 2' - on center 4' - on center CUS (XX) - Custom Spotlights - Minimum distance of 7"	S _____ ' Straight L _____ 'x _____ ' Ceiling to Ceiling LV _____ 'x _____ ' Ceiling to Wall U _____ 'x _____ 'x _____ ' R _____ 'x _____ ' Rectangle T _____ 'x _____ ' X _____ 'x _____ ' PAT - Custom Pattern (Consult factory with drawings - see curved tracks available below)	Profile ◆ _____ (28 colors) See page 7 for color options and use 2 digit numbers to indicate your choices	D - Dot (Round) G - Grid (Square) Finish ◆ _____ (28 colors) Power can be placed end feed, mid feed, intersections (X,T,L), single stand alone and double stand alone.

CURVED TRACKS	A 200mm 7 7/8"	B 285mm 11 1/4"	C 740mm 29 1/4"	D 900mm 35 7/8"	E 1600mm 63"
	A Ø400mm 4 3/4" / 90°	B Ø800mm 31 1/2" / 45°	C Ø1600mm 63" / 45°	D Ø1600mm 63" / 90°	E Ø1600mm 63" / 180°

PROJECT	_____
TYPE	_____
NOTES	_____
QUANTITY	_____
DATE	_____

DASH

INSERT BUILD CODE EXAMPLE:
A3T278-DN

INSERTS

DASH 2100	A3T278	qty	
Wattage: 5W	Dimming	Delivered Lumen (lm)	
	DN - Non Dim	CCT - 90 CRI	
	DD - DALI	2700K	530
	MT - Matter Dim		

DASH 4200	A3T279	qty	
Wattage: 10W	Dimming	Delivered Lumen (lm)	
	DN - Non Dim	CCT - 90 CRI	
	DD - DALI	2700K	1060
	MT - Matter Dim		

DASH COMPONENTS

DASH 2 TRACK	A3T280	qty	
	Connector to mount the end of DASH inside the track.		

DASH 2 DASH	A3T281	qty	
	Connector to mount the end of DASH to an additional DASH.		

DASH 2 SURFACE	A3T282	qty	
	Connector to mount the end of DASH to a wall or ceiling.		

DASH ANCHOR	qty	
	A3T283 - Black A3T284 - Bronze	
Weight attachable at the end of DASH, to suspend vertically.		

DOT

INSERTS

DOT DIRECT	A3T272	qty	
Wattage: 4.2W	Dimming	Delivered Lumen (lm)	
	DN - Non Dim	CCT - 90 CRI - 122°	
	DD - DALI	2700K	450
	MT - Matter Dim		

DOT STANDING	A3T273	qty	
Wattage: 4.2W	Dimming	Delivered Lumen (lm)	
	DN - Non Dim	CCT - 90 CRI - 122°	
	DD - DALI	2700K	450
	MT - Matter Dim		

DOT INDIRECT	A3T274	qty	
Wattage: 5.1W	Dimming	Delivered Lumen (lm)	
	DN - Non Dim	CCT - 90 CRI - 180°	
	DD - DALI	2700K	400
	MT - Matter Dim		

PROJECT	_____
TYPE	_____
NOTES	_____
QUANTITY	_____
DATE	_____

DASH

INSERTS

GRID DIRECT	A3T275	qty	
Wattage: 4.2W	Dimming	Delivered Lumen (lm)	
	DN - Non Dim	CCT - 90 CRI - 122°	
	DD - DALI	2700K	460
	MT - Matter Dim		

GRID STANDING	A3T276	qty	
Wattage: 4.2W	Dimming	Delivered Lumen (lm)	
	DN - Non Dim	CCT - 90 CRI - 122°	
	DD - DALI	2700K	460
	MT - Matter Dim		

GRID INDIRECT	A3T277	qty	
Wattage: 5.1W	Dimming	Delivered Lumen (lm)	
	DN - Non Dim	CCT - 90 CRI - 180°	
	DD - DALI	2700K	400
	MT - Matter Dim		

IMAGINE MICRO

IMAGINE MICRO Ø23	A380746-	qty			
Wattage: 4.4W	Dimming	CCT - 90 CRI	Finish	Adapter	Delivered Lumen (lm)
	DN - Non Dim	27K - 2700K	◆ _____ (28 colors)	□ _____ (02 colors)	CCT 26°/28°/38°/46°/64°
	DD - DALI	30K - 3000K			2700K 252/206/210/198/180
	MT - Matter Dim	35K - 3500K			3000K 271/221/226/213/193
		40K - 4000K			3500K 284/231/236/223/203
					4000K 290/236/241/228/207

IMAGINE MICRO Ø35	A380747-	qty				
Wattage: 8.6W	Dimming	CCT - 90 CRI	Finish	Reflector	Adapter	Delivered Lumen (lm)
	DN - Non Dim	27K - 2700K	◆ _____ (28 colors)	22 - 22°	□ _____	CCT 22° 36° 62°
	DD - DALI	30K - 3000K		36 - 36°	(02 colors)	2700K 529 554 486
	MT - Matter Dim	35K - 3500K		62 - 62°		3000K 564 590 517
		40K - 4000K				3500K 593 620 544
						4000K 607 636 557

PROJECT
TYPE
NOTES
QUANTITY
DATE

IMAGINE MICRO

FINISHES OPTIONS:

See page 7 for color options and use 2 digit numbers to indicate your choices

INSERTS

IMAGINE MICRO FLEX		A380748-				qty			
Wattage: 7.1W		Dimming	CCT - 90 CRI	Finish	Adapter	Delivered Lumen (lm)			
		DN - Non Dim	27K - 2700K	◆ ___	<input type="checkbox"/> ___ (02 colors)	CCT	14° - 52°		
		DD - DALI	30K - 3000K	▲ ___		2700K	175 - 328		
		MT - Matter Dim	35K - 3500K	(28 colors)		3000K	183 - 342		
		40K - 4000K		3500K		189 - 355			
				4000K		193 - 362			
IMAGINE MICRO DOT		A380749-				qty			
Wattage: 6.4W		Dimming	CCT - 90 CRI	Finish	Reflector	Adapter	Delivered Lumen (lm)		
		DN - Non Dim	27K - 2700K	◆ ___	34 - 34° 52 - 52° (28 colors)	<input type="checkbox"/> ___ (02 colors)	CCT	34°	52°
		DD - DALI	30K - 3000K	▲ ___			2700K	205	235
		MT - Matter Dim	35K - 3500K	(28 colors)			3000K	220	252
		40K - 4000K					3500K	231	265
							4000K	236	270

PROJECT	_____
TYPE	_____
NOTES	_____
QUANTITY	_____
DATE	_____

SYSTEM SUMMARY

System

Type

Surface
Rated for Dry Locations Ceiling and Wall Mounted

Approval Status

Certified to North American Standards

Emission

Refer to emission icon beside each light insert and symbol legend for descriptions

Profile

Measurement

w 19mm (¾") x ht. 10mm (⅜")

Housing

Anodized extruded aluminum track profile available per meter and field-cuttable Profiles have a maximum length of 3000mm (9' 10 ⅞") and joined together with couplers to ensure uniform appearance and easy installation
Pre-drilled track is surface mounted with drills every 400mm

Electrical

Connections

Luminaries are pre-wired by factory with track adapters

Power Feed

Located at the end of the rail with a hole in the center of the end cap.
If a different location is required, please specify
A connector is located on one end of the 48V profile channel to carry the electrical power from the supply unit - there is 125mm (4 ⅞") of unusable space for inserts from the end cap.
Linear connector takes 115mm (4 ½") of unusable space.
L connector takes 141mm x 141mm (5 ⅞" x 5 ⅞") of unusable space.
3 Wires - non-dimming
5 Wires - Dimming

LED Driver

Driver Included with Power Supply Unit (Non-dimming only). 0-10V driver must be remote with supplied enclosure. Maximum distance between the power supply and the last fixture on the circuit is 30' using a 18-gauge wire. For more than 30', the gauge of the wire must be determined by a certified professional. The length of the fixture specified must be considered within the maximum distance of 3'. Provisions must be made on site for accessibility to the power supplies.
Electronic Class 2 driver, Universal 120V/277V
Non Dimming Driver and Dimming Driver.
Consult factory for driver cutsheet
If a different driver is required, please specify

Emergency Inverter Compatible

To be installed remotely, and provided by others
It can be located up to 250m away from the fixture

Emergency circuit wiring is available upon request (Isolated track with dedicated driver used for emergency circuit will connect to emergency battery pack - supplied by others)

General

Features

Code System is a groundbreaking fusion of technical lighting engineering expertise and the unmistakable Tom Dixon design aesthetic. This innovative track system merges advanced technological know-how with a unique design vision to create a product that could only be realized together.

The Code System track lighting can be outfitted with LED light sources, forming a versatile kit of components that allows for limitless possibilities in crafting unique lighting designs. It is the natural evolution of Minimal Track, representing the smallest track possible while enabling individual control of each luminaire and endless configuration options. This track system can be seamlessly integrated onto ceilings or walls, with custom lengths and inserts available to suit any space.

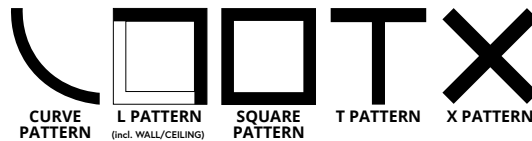
Custom Requests and Additional Options

Availability depends by insert, system, and configuration
Must consult factory and allow up to 5 business days for an answer

Color Temperature, CRI, special beam angles, track finish color, and light inserts with different outputs

Configuration

Consult factory for patterns or custom designs
Provide configuration drawings



*Shop drawings provided upon receiving purchase order

Warranty

ZANEEN provides a limited warranty from date of purchase to original purchaser

LED Inserts: 5 year tested for 50,000 hours at 70% lumen output (L70)

LED Driver: 5 year

Non-Electrical Components: 1 year

*Check boxes to complete specification order and submit to quotes@zaneen.com to receive a formal BOM and a finalized model number

*In a constant effort to supply the best product, we reserve the right to change specifications or materials without notice. The most recent specification sheets are found at zaneen.com

PROJECT _____
 TYPE _____
 NOTES _____
 QUANTITY _____
 DATE _____

FINISH COLORS



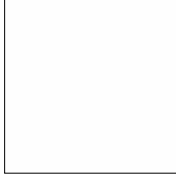
Sparkling Silver - 01



Black Velvet - 02



Crystal White - 03



Creamy - 04



Hampton Bay - 05



Urban Forest - 07



In the Army - 08



Rusty Angel - 09



Fade to Grey - 12



Mysterious Grey - 13



Lost Dream - 15



Purple Sky - 16



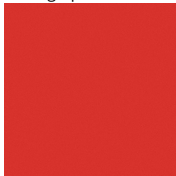
Fresh Oh - 17



Funky P - 18



Kissing Aphrodite - 19



Poseidon's Paradise - 20



Blue Sky - 21



Spring Green - 22



Mellow Yellow - 23



Golden Heart - 24



Gun Metal - 25



Champagne Cream - 26



Copper Mine - 27



Ancient Bronze - 28



Jazz Gold - 29



Olive Breeze - 30



Moonlight Silver - 31



Rosewood Red - 32



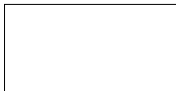
ADAPTER/FRAME



Black - 02



White - 03



Digital: Not all screens are calibrated the same, and therefore, colors will appear differently between screens.

Physical: When texture is involved, there will be variations in color, character and tone within a product series and between product families.

Gun Metal: No Gun Metal finish is alike. It combines a mixture of transparent and black color particles which ensures a highly individual effect and no luminaire being identical.

Champagne Cream, Copper Mine, Ancient Bronze + Jazz Gold: These finishes have slight fading from specific powder coating production. Each luminaire will slightly vary.

RAL Color Upon Request



LEGEND

	floor-mounted		pivotal		special LED (upon request) RGB, RGBW, tunable, gold+, meat+, art+, fashion+
	wall and ceiling: recessed and surface mounted		rotating		warm dim / natural dimming LED
	ceiling-mounted and wall-mounted		illuminate tilted		rechargeable battery powered
	wall-mounted		color of suspension cable		fixture with natural vivid LED (upon request)
	omni-directional light distribution		length of suspension cable		color rendering index
	direct light distribution		reflector degree selection		color temperature
	direct/indirect light distribution		super spot		lumen (luminous flux)
	indirect light distribution		lens		efficacy (lumens per watt)
	asymmetric light distribution		lens pack		Unified Glare Rating (UGR) range from 5-40
	aura light distribution		shine ring		marine grade (AISI 316 stainless steel)
	round wall or ceiling cut-out		integrated shine ring with diffuser		walk on
	square wall or ceiling cut-out		free individual colors		drive on
	the supplied jig specifies the cutout dimensions		individual colors: 00 (free of charge), 01-25 (extra charge)		Dark Sky Compliance
	minimum distance (meters) lamp - object		luminaire part to be colored (F1)		Americans with Disabilities Act (less than 4" off the wall located between 27"-84" from floor)
	recessed depth		luminaire part to be colored (F2)		lamp protected against explosion
	ceiling thickness in mm		luminaire part to be colored (F3)		blown glass using traditional methods by master glass blower
	ceiling thickness selection		luminaire part to be colored (F4)		acoustic material
	dimmable DP (phase), DV (0-10V), DD (dali), DS (step-dim)		luminaire part to be colored (F5)		protection class I, protection insulation
	included or excluded LED driver/transformer/control gear		color of 3-circuit adaptor		protection class II, protection insulation
	separately switchable		indirect diffuser		ETL Certified to UL and CSA Standards
	sensor		direct diffuser		UL Certified to UL and CSA Standards
	remote control		ball-proof (upon request)		CSA Certified to UL and CSA Standards
	available upon request		accessory		Certified for North American Standards

IP RATING

	protected against ingress of solid bodies greater than 12.5mm (finger)
	protected against ingress of solid bodies greater than 2.5mm protected against sprays of water up to 60 degrees from the vertical (rain)
	protected against ingress of solid bodies greater than 1mm (wire) no protection against the ingress of moisture
	protected against ingress of solid bodies greater than 1mm (wire) protected against sprays of water up to 60 degrees from the vertical (rain)
	protected against ingress of solid bodies greater than 1mm (wire) protected against water splashed from all directions
	protected against limited ingress of dust (wet rooms/covered outdoor areas) protected against water splashed from all directions
	protected against ingress of dust protected against jets of water
	protected against ingress of dust protected against powerful jets of water or heavy seas
	protected against ingress of dust protected against immersion of water between 15cm - 1m for 30 minutes
	protected against ingress of dust protected against immersion of water under pressure for long periods

IK RATING

	protected against 0.14 joules impact (equivalent to 0.25kg mass dropped from 56mm above the surface)
	protected against 0.2 joules impact (equivalent to 0.25kg mass dropped from 80mm above the surface)
	protected against 0.35 joules impact (equivalent to 0.25kg mass dropped from 140mm above the surface)
	protected against 0.5 joules impact (equivalent to 0.25kg mass dropped from 200mm above the surface)
	protected against 0.7 joules impact (equivalent to 0.25kg mass dropped from 280mm above the surface)
	protected against 1 joules impact (equivalent to 0.25kg mass dropped from 400mm above the surface)
	protected against 2 joules impact (equivalent to 0.5kg mass dropped from 400mm above the surface)
	protected against 5 joules impact (equivalent to 1.7kg mass dropped from 300mm above the surface)
	protected against 10 joules impact (equivalent to 5.0kg mass dropped from 200mm above the surface)
	protected against 20 joules impact (equivalent to 5.0kg mass dropped from 400mm above the surface)

WIRING DIAGRAMS

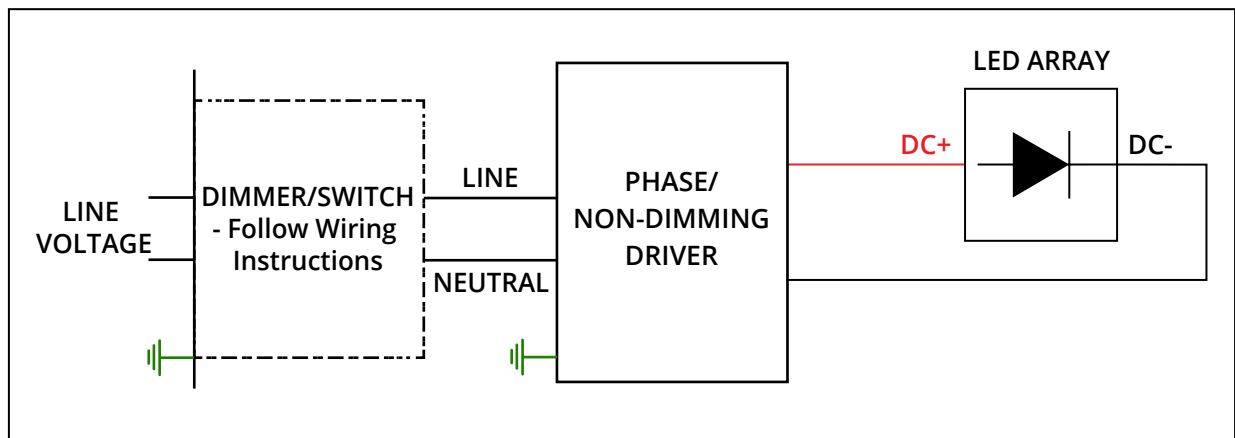
ALL ZANEEN FIXTURES ARE MANUFACTURED TO NORTH AMERICAN ELECTRICAL STANDARDS

Post Sales Support
HQ 1-800-388-3382 X 625 support@zaneen.com

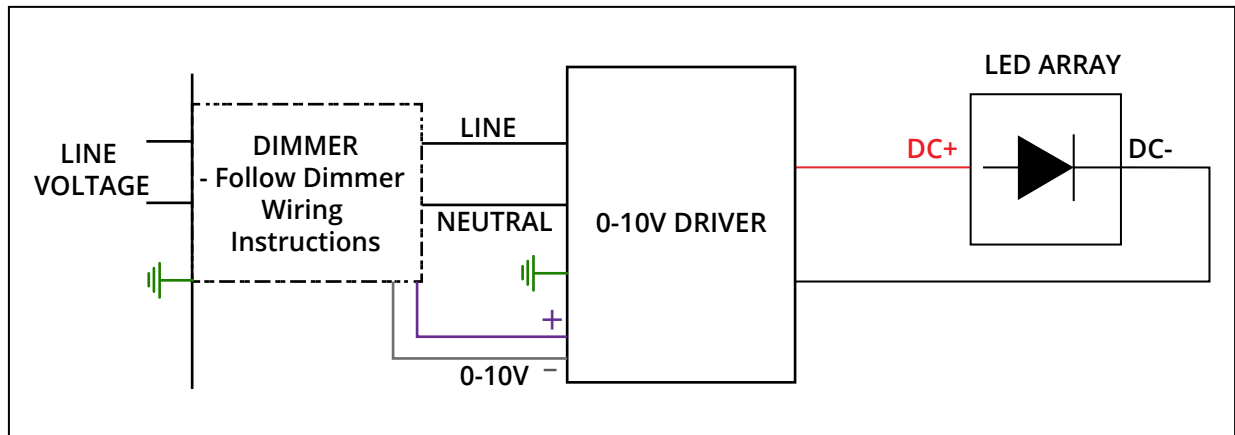
IMPORTANT

- Do NOT connect directly to line voltage
- There is a minimum and maximum load per driver (See fixture and driver specifications).
- Fixture MUST be connected to LED driver, prior to turning power on

PHASE/NON-DIMMING WIRING DIAGRAM



0-10V DIMMING WIRING DIAGRAM



PROJECT	_____
TYPE	_____
NOTES	_____
QUANTITY	_____
DATE	_____

Insert custom drawing here or attach with additional pages

