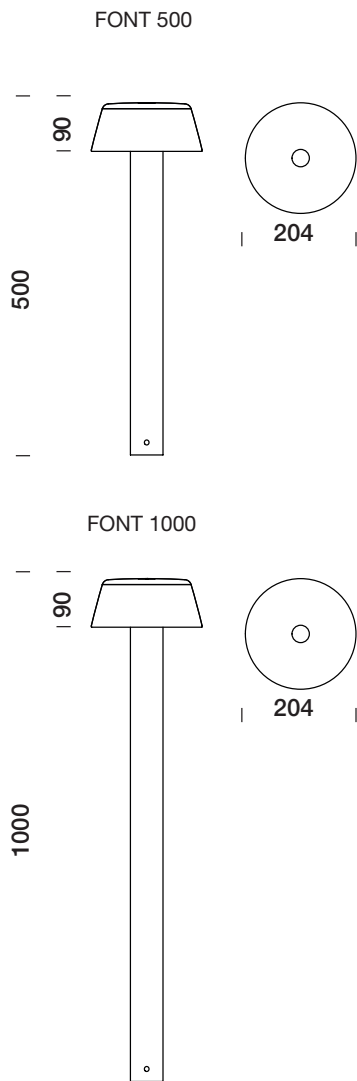
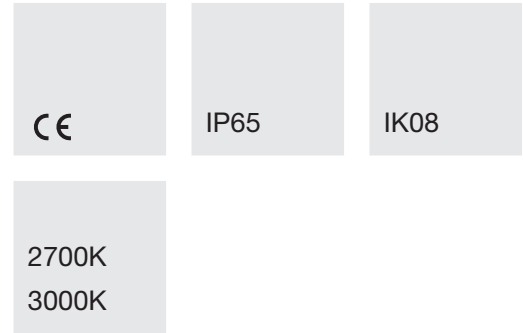




Technical drawing

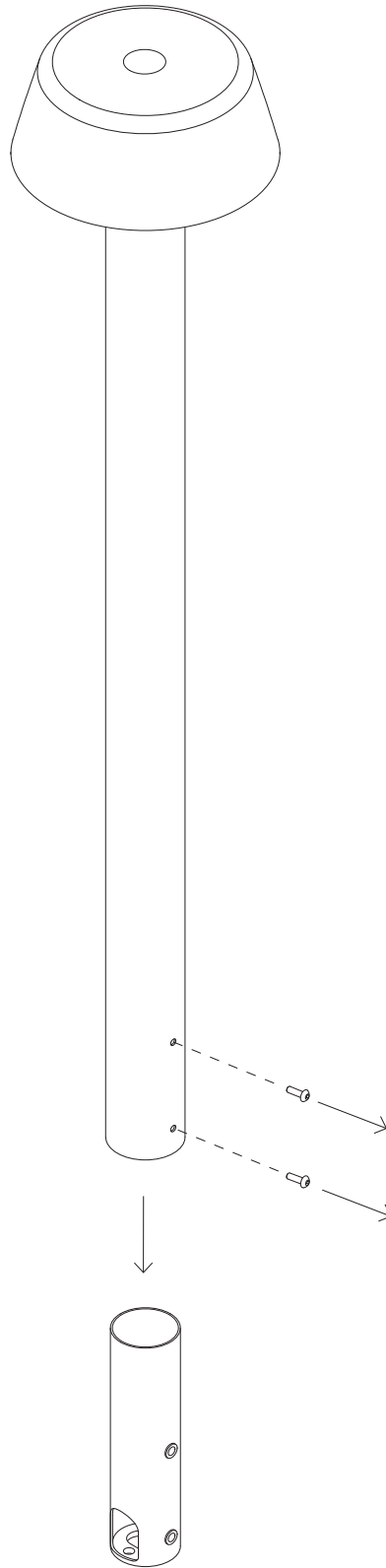


To operate



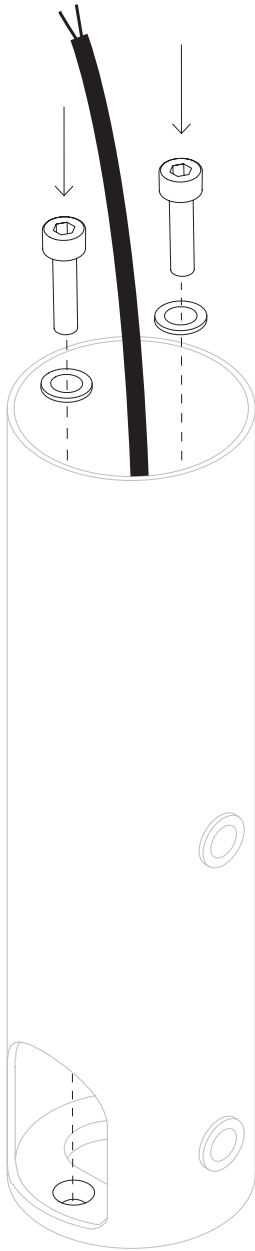
Technical data

	500 mm 360°	500 mm 180°	1000 mm 360°	1000 mm 180°
Lights	WHITE LED	WHITE LED	WHITE LED	WHITE LED
Power supply	120-277V 0/50/60 Hz	120-277V 0/50/60 Hz	120-277V 0/50/60 Hz	120-277V 0/50/60 Hz
Source power	13,5 W	8,4 W	15 W	8,4 W
Class	☐	☐	☐	☐
Dimmable	Non-Dimming - 120V Phase Dimming		Non-Dimming - 120V Phase Dimming	
Weight	3,55 kg	3,55 kg	6,30 kg	6,30 kg





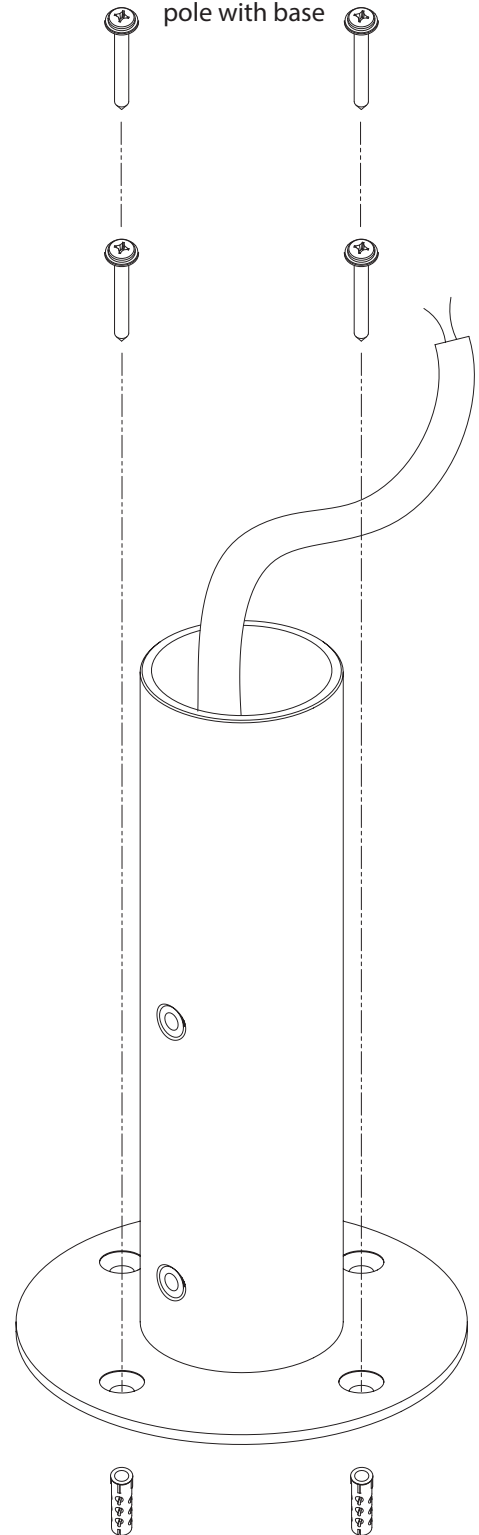
Direct Surface Mount



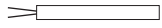
tie-rod



pole with base

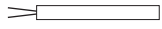


ON-OFF



0,2 m (2 x 1 mm²)

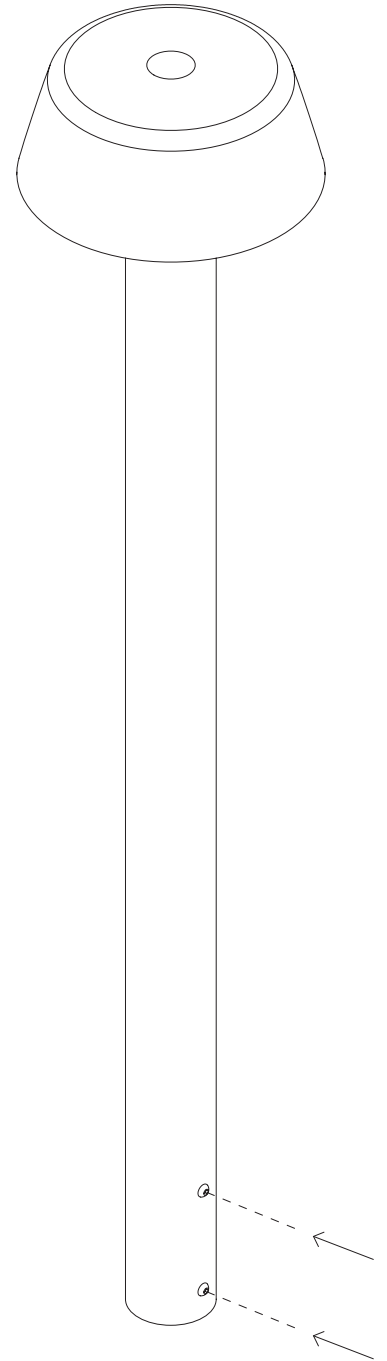
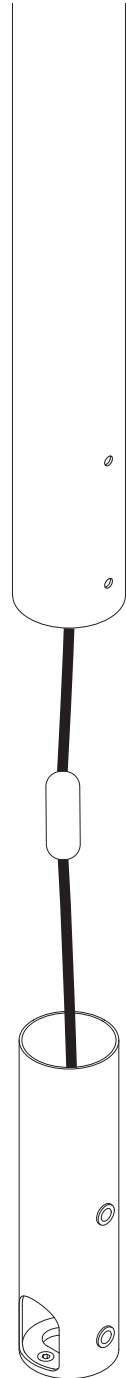
DIMMING



0,2 m (2 x 1 mm² + 2 x 0,35 mm²)

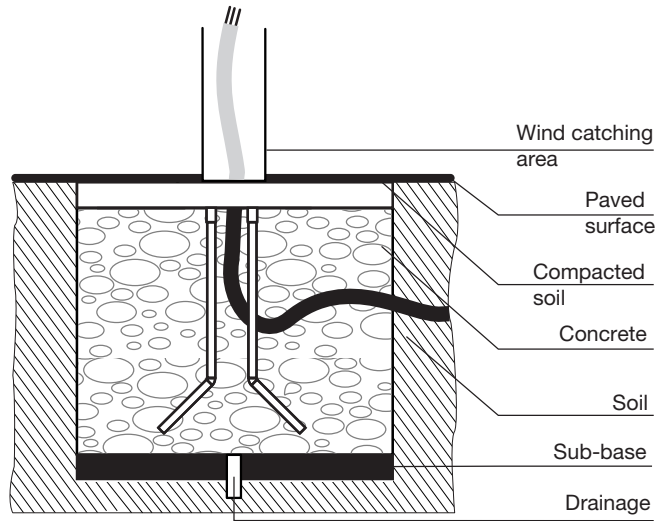


Connector supplied



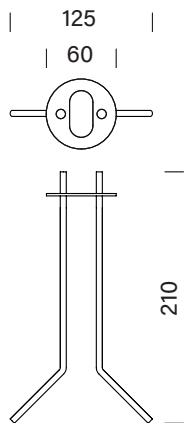
Tie-Rod Installation

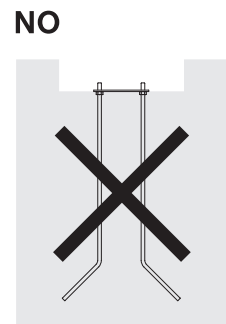
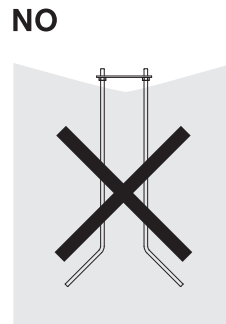
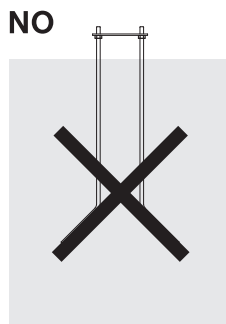
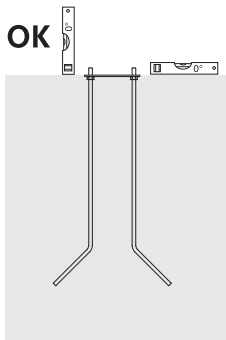
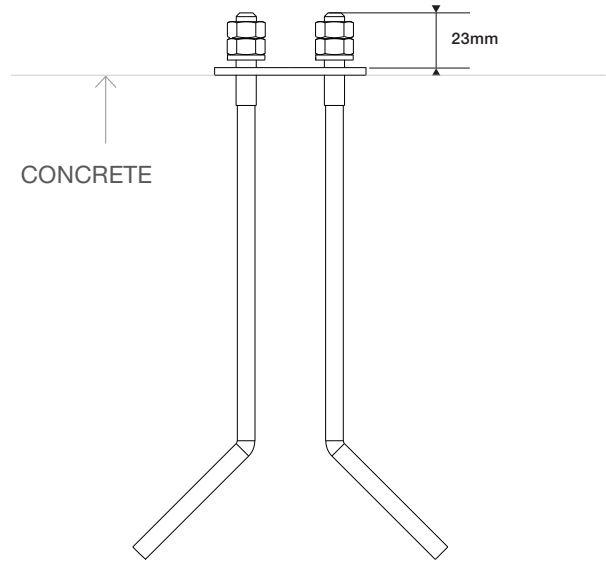
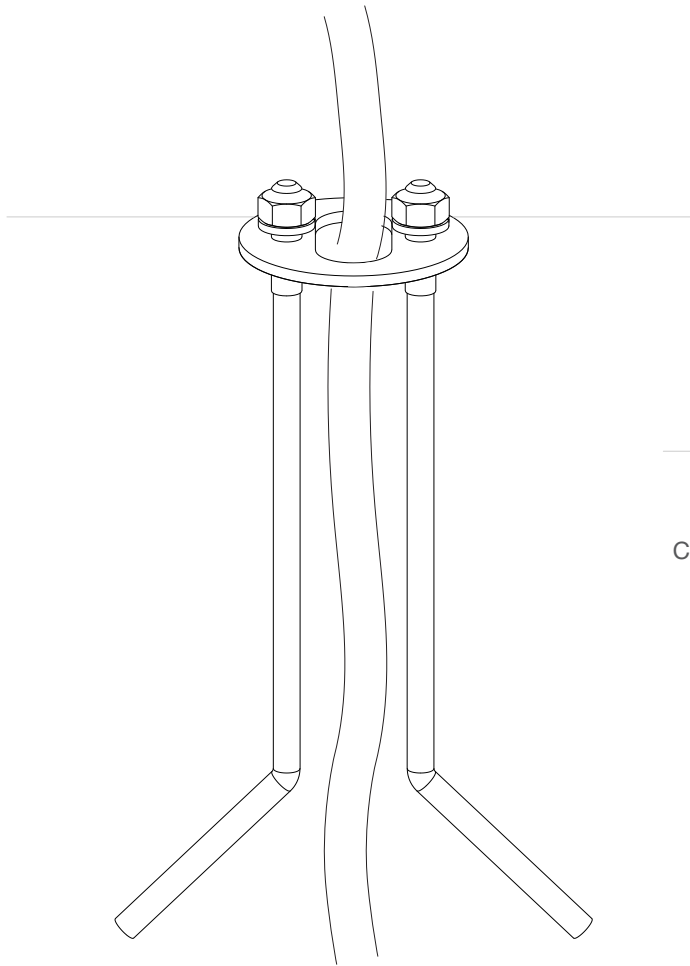
E9A50037

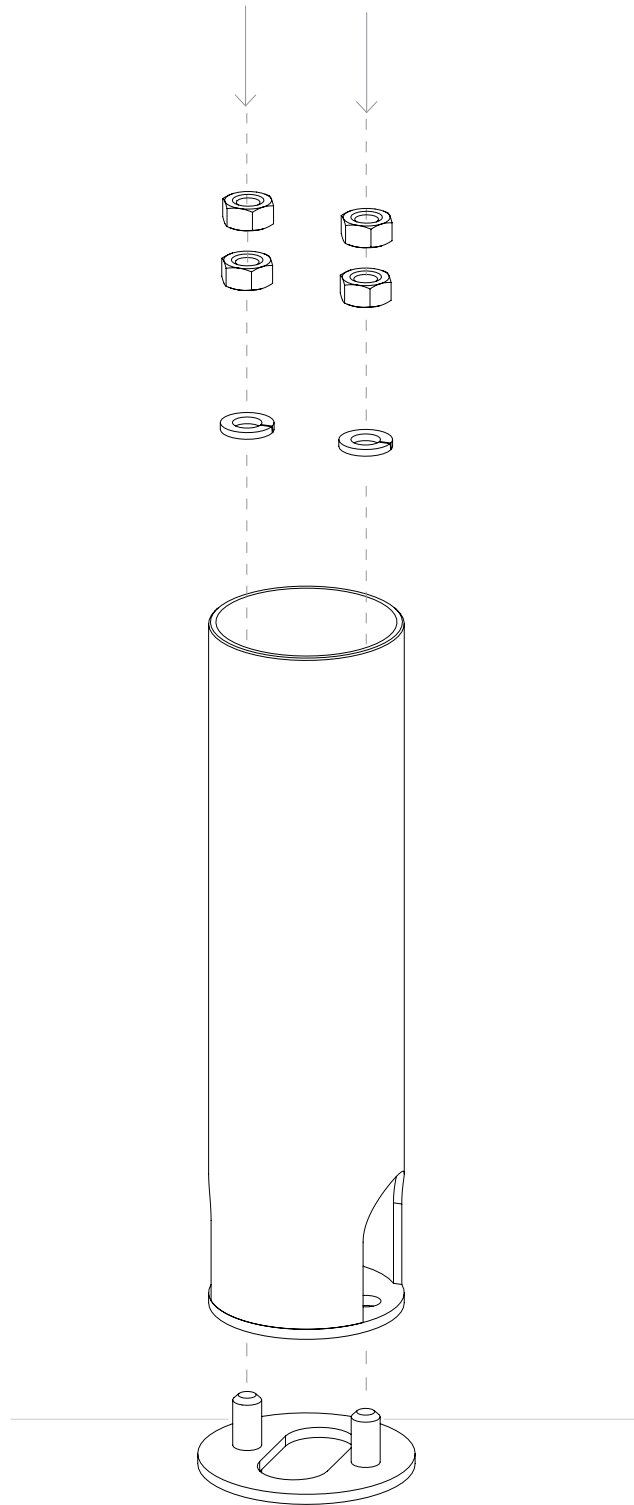


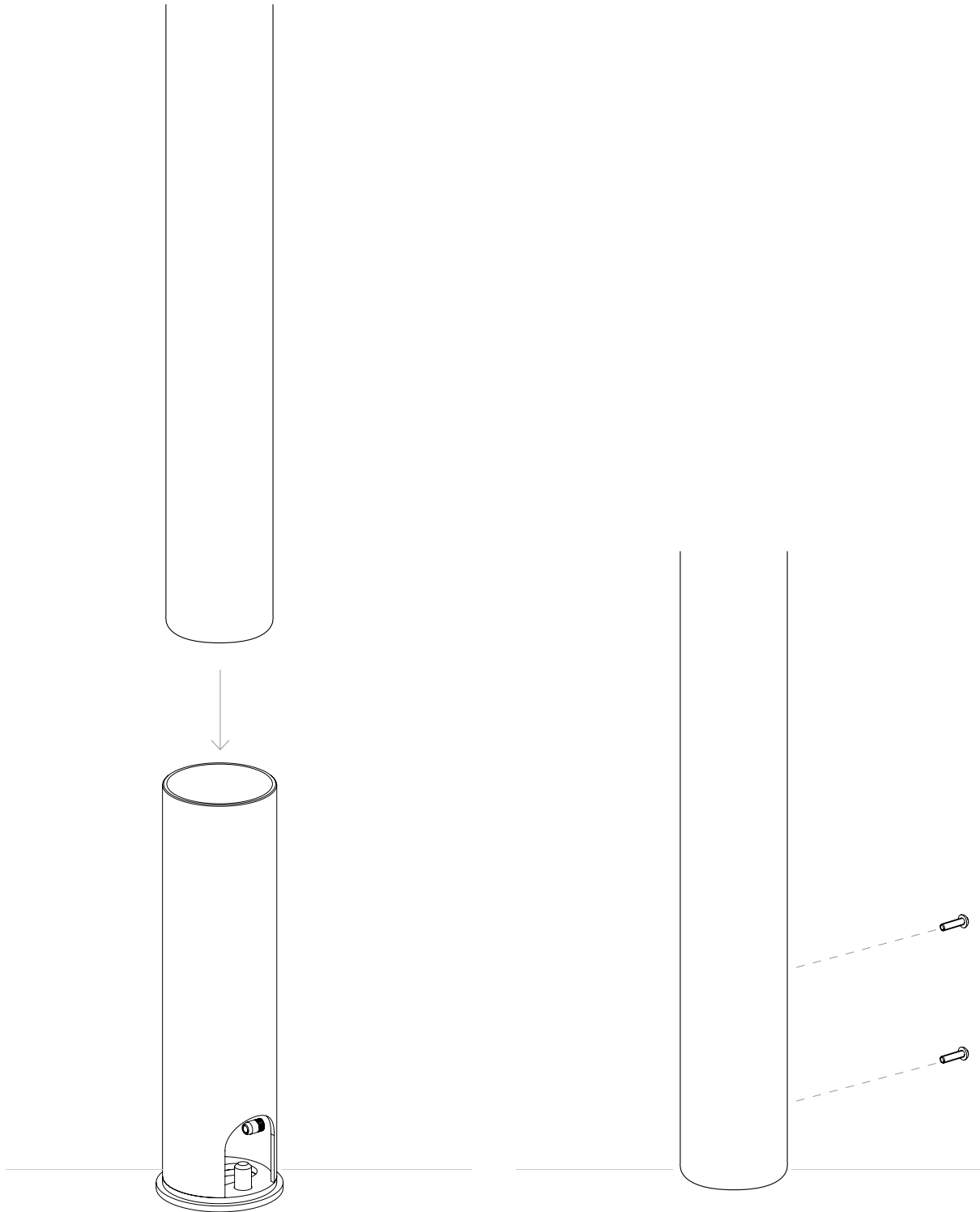
	Depth	Size of concrete plinth	Vref0	Type of terrain
FONT 500	250 h	250 x 250 mm	25 m/s	compact gravel
FONT 1000	250 h	350 x 350 mm	25 m/s	compact gravel

Technical drawing



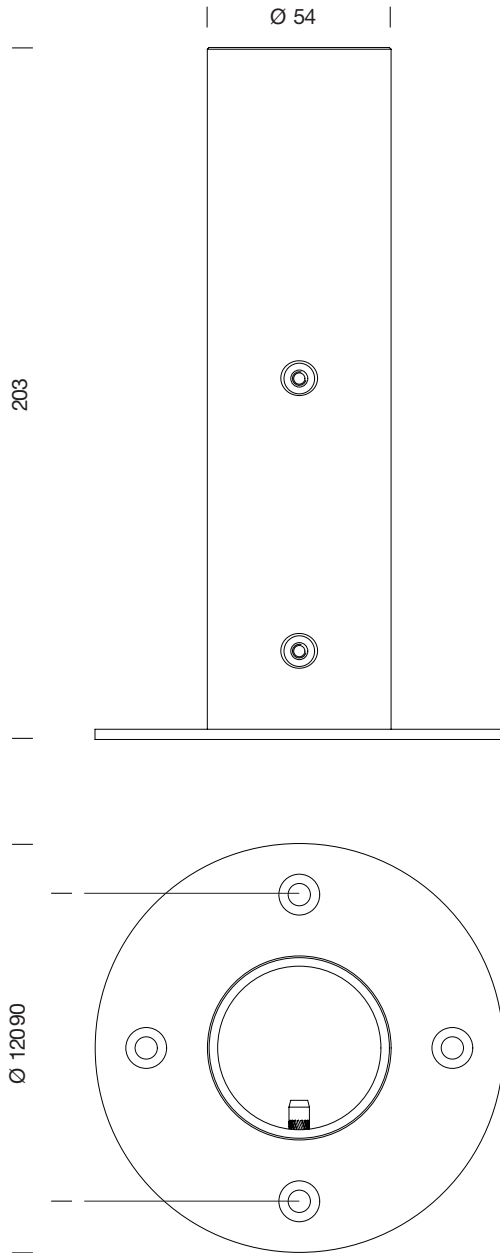


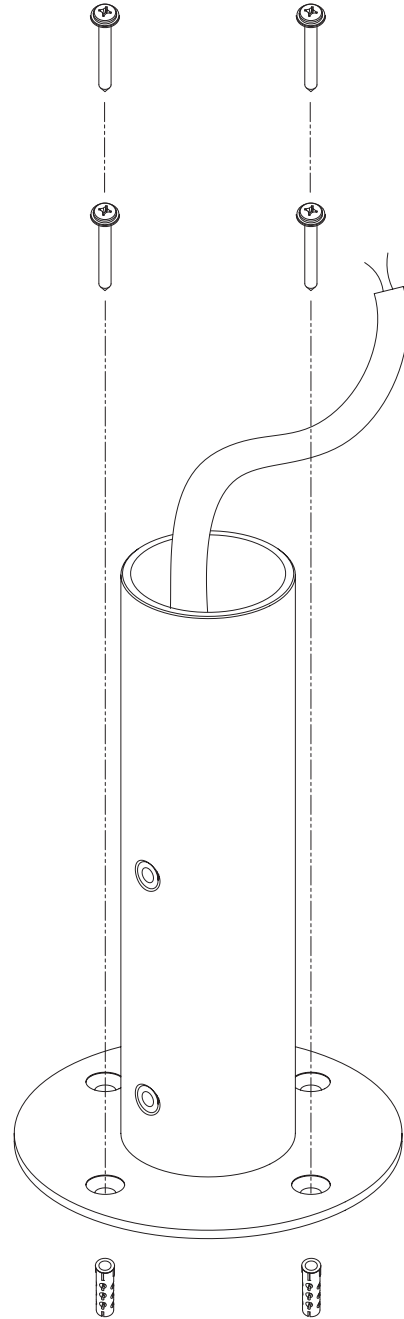
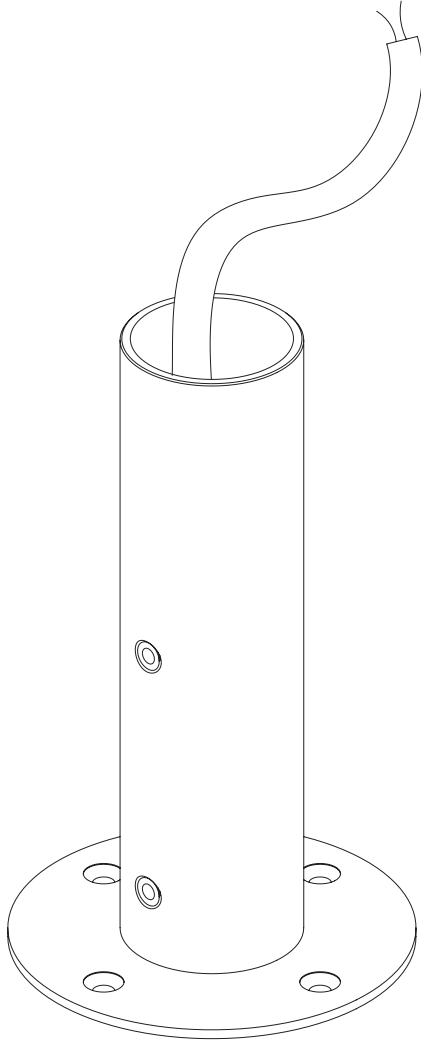


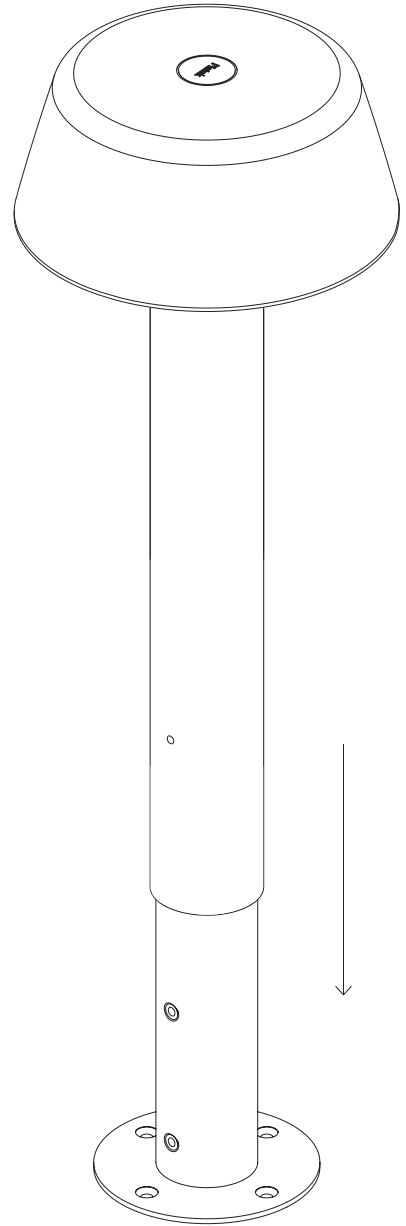
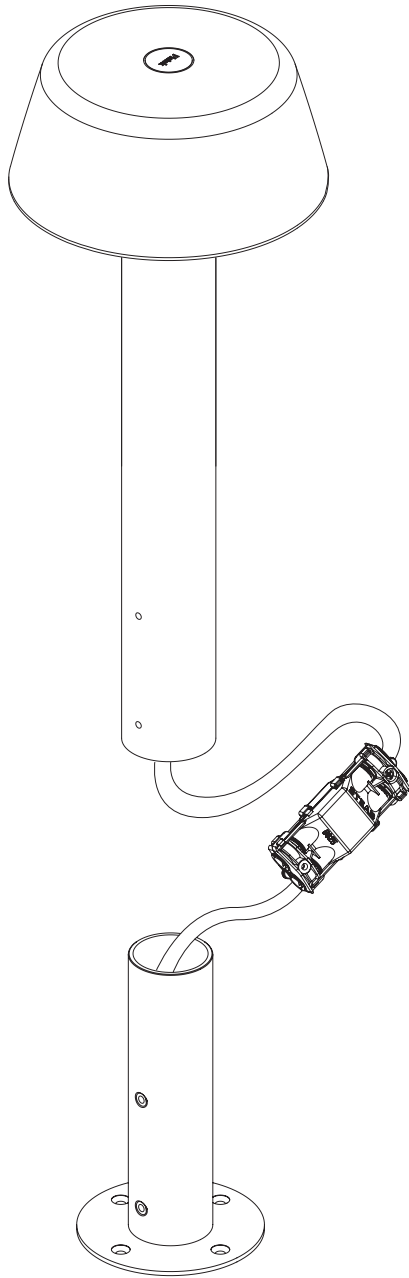


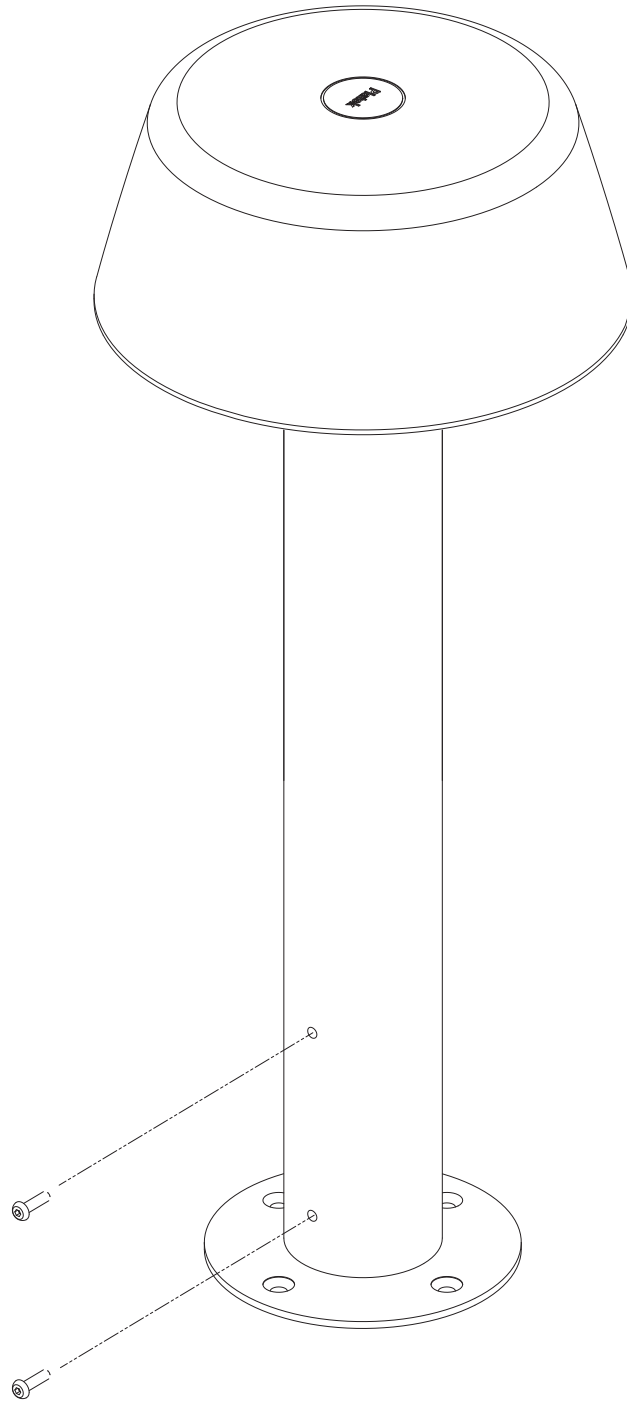
Pole Connection with Base

E9A50081









Post Sales Support

HQ 1-800-388-3382 support@zaneen.com



EN

- Installation and electrification must be carried out by a qualified electrician, only.
- Observe all relevant building codes and regulations.
- Prior to installation or repair: disconnect power; it is the installer's responsibility to ensure for all electrical, mechanical and thermal compatibility.
- The LED light source contained in this fixture shall only be replaced by Zaneen, or a person approved by Zaneen.
- Recommendations: Keep the instruction sheet(s) in the event of maintenance and/or disassembly.

Access detailed spec sheets from www.zaneen.com

FR

- L'installation et l'électrification doivent être effectuées uniquement par un électricien qualifié.
- Respectez tous les codes du bâtiment et réglementations en vigueur.
- Avant l'installation ou la réparation: débranchez l'alimentation électrique; Il incombe à l'installateur des'assurer de la compatibilité électrique, mécanique et thermique.
- La source de lumière LED contenue dans ce luminaire ne doit être remplacée que par Zaneen, ou une personne approuvée par Zaneen.
- Recommandations: Conservez la (les) fiche (s) d'instructions en cas de maintenance et / ou de démontage

Accéder aux fiches techniques détaillées sur www.zaneen.com

Zaneen's lighting fixtures, when properly installed on correct line voltage, and under normal conditions of use, are warrantied as follows:

- All products, excluding lamps, are warrantied to be free from defect in materials and workmanship for a period of 12 months (1 year) from the date of invoice.
- Transformers and Ballast Warranty: 3 Years Limited Warranty from the invoice date.
- LED engines and power supplies: 5 Years Limited Warranty from the invoice date.

Warranty claims regarding the product(s) must be:
Submitted in writing within 30 days of discovery of the defect.

Zaneen uses only electrical components, which are produced by responsible manufacturers. Components that may fail in service within the warranty period, under normal use, will be replaced at no charge.

Zaneen will not assume labour or transportation charges in connection with replacement of such parts, nor for removal or re-installation of equipment or parts, nor for consequential damages or losses.

The warranty extended to Zaneen by the manufacturers of the electrical components is passed on to our customers.

At its option, Zaneen will repair or replace, any fixture defective as provided herein if such fixture is returned by the purchaser within the warranty period, provided Zaneen has issued a written "Return Goods Authorization". Such repair or replacement is the exclusive remedy against Zaneen and Zaneen is not responsible for damage of any sort whatsoever, including incidental and consequential damages or losses. This warranty extends only to replacement defective fixtures or components and no allowance will be made for labour or transportation charges in connection with replacement of such parts, nor for removal or re-installation of equipment or parts unless specifically authorized in writing by Zaneen prior to any work being performed.

Due to advances in LED technology and change to luminous flux of LED due to usage, replacement LED have different output properties from the original LED supplied with the product

This warranty only applies when the products are installed in applications in which ambient temperatures are within normal temperatures and are operated within the electrical values shown on the LED driver label.

Zaneen will not be responsible under warranty for any failure of the product that results directly or indirectly from improper installation and/or external causes such as: acts of nature, physical damage, and exposure to adverse or hazardous chemicals or other substances, use of harsh cleaning agent or harsh chemicals.

Warranty for any substantial deterioration in the product finish caused by failure to clean, inspect or maintain the finish of the product. The end user is responsible for the structural integrity of existing foundations, anchorages, or structures and all consequences arising from their use.