

HARMONY UNIFORM RECESSED/SURFACE SYSTEM SPECIFICATION SHEET

PROJECT	_____
TYPE	_____
NOTES	_____
QUANTITY	_____
DATE	_____

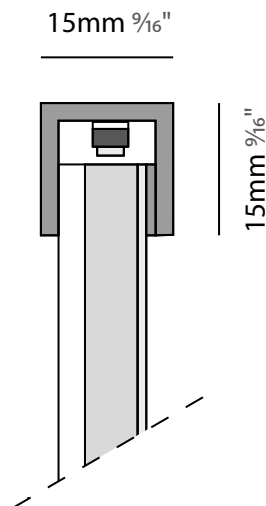


ARCHITECTURAL | HARMONY UNIFORM

HARMONY UNIFORM is an innovative way to illuminate and decorate with light. The custom LED panel is suitable for the integration of custom light surfaces, in architecture and in any type of decoration: furniture, mirrors, kitchens etc. The panel could be supplied with white opal diffuser or graphic print (not interchangeable). No limits to its use: sizes, LED color, installation systems are completely customizable.



SYSTEM PROFILE



HARMONY UNIFORM RECESSED/SURFACE SYSTEM SPECIFICATION SHEET

PROJECT _____

TYPE _____

NOTES _____

QUANTITY _____

DATE _____

SYSTEM GUIDE

To make your product selection and complete system specification, proceed with the following: review system options, create your system code in the field below and include your quantity. Submit to quotes@zaneen.com to receive a formal BOM and finalized model numbers.

UPON REQUEST
Additional Options _____

Color Temperature _____

Tunable White _____

LED Colors _____

Wattage per foot/meter _____

RGB/RGBW _____

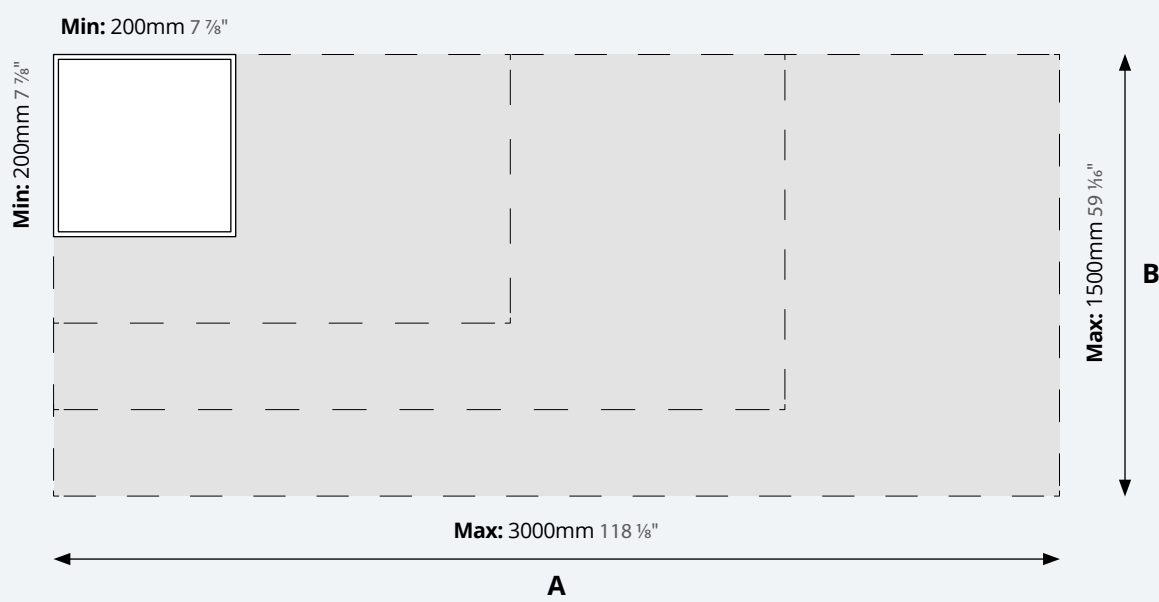


EXAMPLE A5HAUN-MOD-SYS-UNV-DN-27K-REC-mm-1S-ALU

SYSTEM BUILD CODE: A5HAUN-MOD-SYS-_____ **qty** _____

ELECTRICAL	Voltage	Dimming	Circuit	CCT - 90 CRI	
	UNV - 120/277V	DN - Non Dim	EMCIR - Emergency Circuit	27K - 2700K	57K - 5700K
	120 - 120V	DV - 0-10V (100-1%)		30K - 3000K	
	347 - 347V	DD - DALI (100-1%)		35K - 3500K	
	DP - Phase Dim (Triac/ELV) (Upon Request)	40K - 4000K			
	Wattage	Delivered Lumen (lm)			
Per meter	20	to be confirmed at time of quotation			
Per foot	6				

PHYSICAL	Mounting Type	Dimensions	Led Positioning	Finishes
	REC - Recessed	Specify in mm (A) _____ X (B) _____	1S - 1 Led Side** Long side (A) **(B) max 300mm	Panel frame (4 colors)
	SUR - Surface	Specify in X'-X" (A) _____ X (B) _____	2S - 2 Led Sides Long sides (A)	See page 4 for color options and use 3 digit letters to indicate your choices
	See Minimum and Maximum Dimensions below.	4S - 4 Led Sides Equivalent sides (A=B)		



PROJECT	_____
TYPE	_____
NOTES	_____
QUANTITY	_____
DATE	_____

SYSTEM SUMMARY

System

Type

Surface
Rated for Dry Locations Ceiling and Wall Mounted

Approval Status

CSA Certified to CSA and UL Standards

Emission

Refer to emission icon beside each light insert and symbol legend for descriptions

Profile

Measurement

max. 3000mm (118 1/8") x max. 1500mm (59 1/8") x w 15mm (5/8")

Housing

Aluminum profile built to desired size with laser cut diffuser. Approximate increments of 200mm (7 7/8")
Profiles have a maximum length of 3000mm (9' 10 1/8")

Electrical

Connections

Luminaries are pre-wired by factory and provided with quick release connectors to join multiple profiles

Power Feed

The exit cable's hole standard position, unless otherwise specified, is located on the Panel's left low back.

The power cable's section may change according to the panel's dimension, mounting system and customer request (our technical department will check the absence of voltage drops). The power cables' number may change according to the panel's dimension.

All the LED Panels with >2000 mm size are powered on both ends (end to end) or, upon request close proximity to the profile center, in order to guarantee proper light uniformity.

LED Driver

Driver must be remote with supplied enclosure. Maximum distance between the power supply and the last fixture on the circuit is 30' using a 18-gauge wire. For more than 30', the gauge of the wire must be determined by a certified professional.

Electronic Class 2 driver, Universal 120V/277V Non Dimming Driver, Dimming Driver 0-10V (10-100%) Consult factory for driver cutsheet If a different driver is required, please specify.

Emergency Inverter Compatible

To be installed remotely, and provided by others
It can be located up to 250m away from the fixture

Emergency circuit wiring is available upon request (Isolated track with dedicated driver used for emergency circuit will connect to emergency battery pack - supplied by others)

General

Features

The Harmony Uniform custom LED panel is suitable for the integration of custom light surfaces, in architecture and in any type of decoration: furniture, mirrors, kitchens etc. The panel could be supplied with white opal diffuser or graphic print (not interchangeable).

No limits to its use: sizes, LED color, installation systems are completely customizable.

Custom Requests and Additional Options

Color temperature, tunable white, LED colors, Wattage per foot/meter, RGB/RGBW.

Must consult factory and allow up to 5 business days for an answer.

Configuration

Consult factory for patterns or custom designs
Provide configuration drawings

*Shop drawings provided upon receiving purchase order

Warranty

ZANEEN provides a limited warranty from date of purchase to original purchaser

LED Inserts: 5 year tested for 50,000 hours at 70% lumen output (L70)

LED Driver: 5 year

Non-Electrical Components: 1 year

*Check boxes to complete specification order and submit to quotes@zaneen.com to receive a formal BOM and a finalized model number

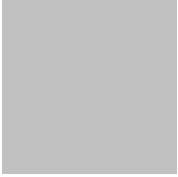
*In a constant effort to supply the best product, we reserve the right to change specifications or materials without notice. The most recent specification sheets are found at zaneen.com

HARMONY UNIFORM RECESSED/SURFACE SYSTEM SPECIFICATION SHEET

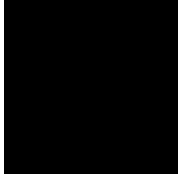
PROJECT _____
TYPE _____
NOTES _____
QUANTITY _____
DATE _____

FINISH COLORS

Aluminum - **ALU**



Black - **BLK**



Gold - **GLD**



White - **WHI**



HARMONY UNIFORM RECESSED/SURFACE SYSTEM SPECIFICATION SHEET

LEGEND

	floor-mounted		pivotal		special LED (upon request) RGB, RGBW, tunable, gold+, meat+, art+, fashion+
	wall and ceiling: recessed and surface mounted		rotating		warm dim / natural dimming LED
	ceiling-mounted and wall-mounted		illuminate tilted		rechargeable battery powered
	wall-mounted		color of suspension cable		fixture with natural vivid LED (upon request)
	omni-directional light distribution		length of suspension cable		color rendering index
	direct light distribution		reflector degree selection		color temperature
	direct/indirect light distribution		super spot		lumen (luminous flux)
	indirect light distribution		lens		efficacy (lumens per watt)
	asymmetric light distribution		lens pack		Unified Glare Rating (UGR) range from 5-40
	aura light distribution		shine ring		marine grade (AISI 316 stainless steel)
	round wall or ceiling cut-out		integrated shine ring with diffuser		walk on
	square wall or ceiling cut-out		free individual colors 01-29		drive on
	the supplied jig specifies the cutout dimensions		individual colors: 00 (free of charge), 01-25 (extra charge)		Dark Sky Compliance
	minimum distance (meters) lamp - object		luminaire part to be colored (F1)		Americans with Disabilities Act (less than 4" off the wall located between 27"-84" from floor)
	recessed depth		luminaire part to be colored (F2)		lamp protected against explosion
	ceiling thickness in mm		luminaire part to be colored (F3)		blown glass using traditional methods by master glass blower
	ceiling thickness selection		luminaire part to be colored (F4)		acoustic material
	dimmable DP (phase), DV (0-10V), DD (dali), DS (step-dim)		luminaire part to be colored (F5)		protection class I, protection insulation
	included or excluded LED driver/transformer/control gear		color of 3-circuit adaptor		protection class II, protection insulation
	separately switchable		indirect diffuser		ETL Certified to UL and CSA Standards
	sensor		direct diffuser		UL Certified to UL and CSA Standards
	remote control		ball-proof (upon request)		CSA Certified to UL and CSA Standards
	available upon request		accessory		Certified for North American Standards

IP RATING

	protected against ingress of solid bodies greater than 12.5mm (finger)
	protected against ingress of solid bodies greater than 2.5mm protected against sprays of water up to 60 degrees from the vertical (rain)
	protected against ingress of solid bodies greater than 1mm (wire) no protection against the ingress of moisture
	protected against ingress of solid bodies greater than 1mm (wire) protected against sprays of water up to 60 degrees from the vertical (rain)
	protected against ingress of solid bodies greater than 1mm (wire) protected against water splashed from all directions
	protected against limited ingress of dust (wet rooms/covered outdoor areas) protected against water splashed from all directions
	protected against ingress of dust protected against jets of water
	protected against ingress of dust protected against powerful jets of water or heavy seas
	protected against ingress of dust protected against immersion of water between 15cm - 1m for 30 minutes
	protected against ingress of dust protected against immersion of water under pressure for long periods

IK RATING

	protected against 0.14 joules impact (equivalent to 0.25kg mass dropped from 56mm above the surface)
	protected against 0.2 joules impact (equivalent to 0.25kg mass dropped from 80mm above the surface)
	protected against 0.35 joules impact (equivalent to 0.25kg mass dropped from 140mm above the surface)
	protected against 0.5 joules impact (equivalent to 0.25kg mass dropped from 200mm above the surface)
	protected against 0.7 joules impact (equivalent to 0.25kg mass dropped from 280mm above the surface)
	protected against 1 joules impact (equivalent to 0.25kg mass dropped from 400mm above the surface)
	protected against 2 joules impact (equivalent to 0.5kg mass dropped from 400mm above the surface)
	protected against 5 joules impact (equivalent to 1.7kg mass dropped from 300mm above the surface)
	protected against 10 joules impact (equivalent to 5.0kg mass dropped from 200mm above the surface)
	protected against 20 joules impact (equivalent to 5.0kg mass dropped from 400mm above the surface)

PROJECT	_____
TYPE	_____
NOTES	_____
QUANTITY	_____
DATE	_____

WIRING DIAGRAMS

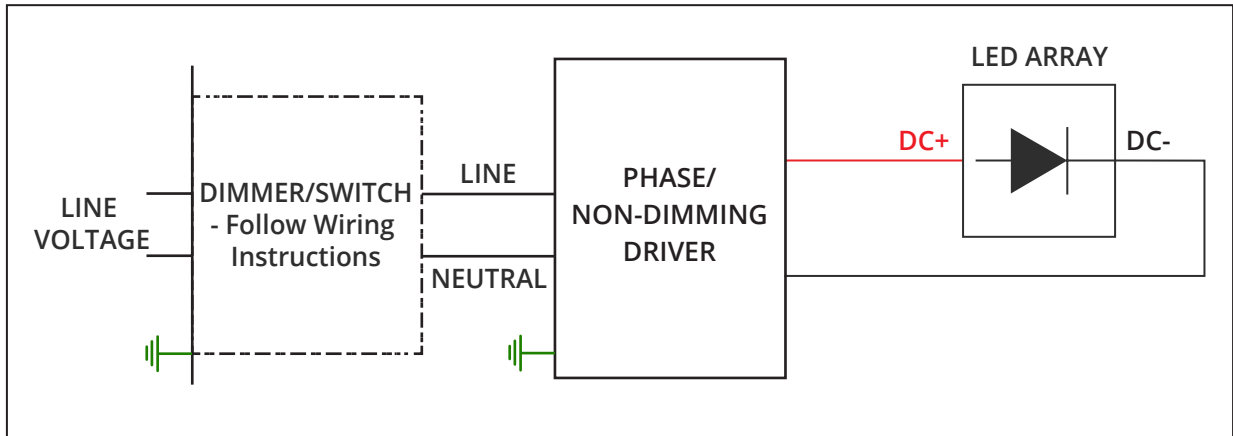
ALL ZANEEN FIXTURES ARE MANUFACTURED TO NORTH AMERICAN ELECTRICAL STANDARDS

Post Sales Support
HQ 1-800-388-3382 X 625 support@zaneen.com

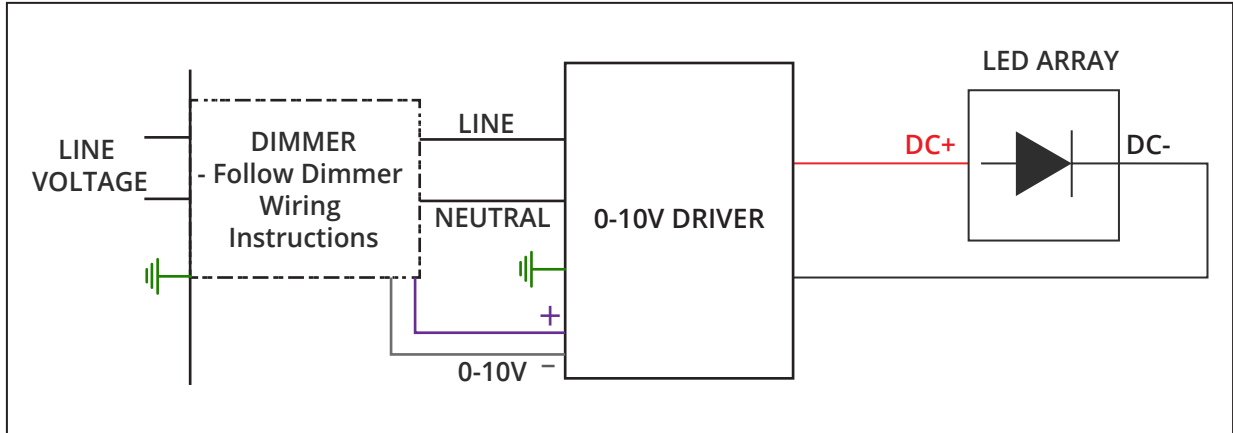
IMPORTANT

- Do NOT connect directly to line voltage
- There is a minimum and maximum load per driver (See fixture and driver specifications).
- Fixture MUST be connected to LED driver, prior to turning power on

PHASE/NON-DIMMING WIRING DIAGRAM



0-10V DIMMING WIRING DIAGRAM



HARMONY UNIFORM RECESSED/SURFACE SYSTEM SPECIFICATION SHEET

PROJECT	_____
TYPE	_____
NOTES	_____
QUANTITY	_____
DATE	_____

Insert custom drawing here or attach with additional pages

