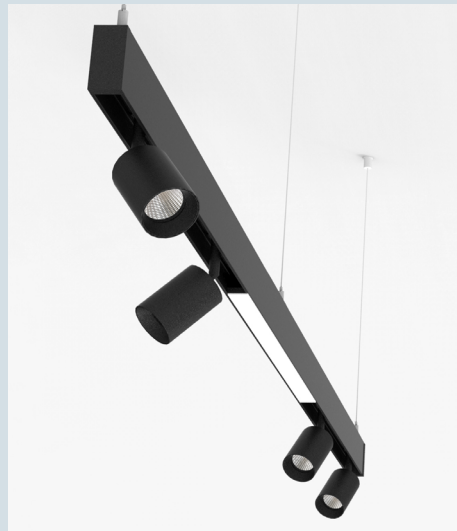


CLICKTRACK 30 SUSPENSION SYSTEM SPECIFICATION SHEET

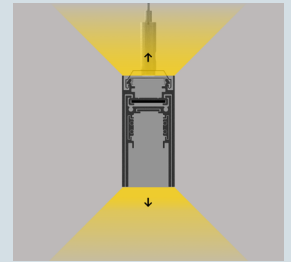
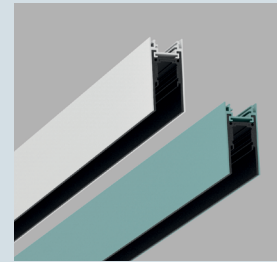
PROJECT	_____
TYPE	_____
NOTES	_____
QUANTITY	_____
DATE	_____



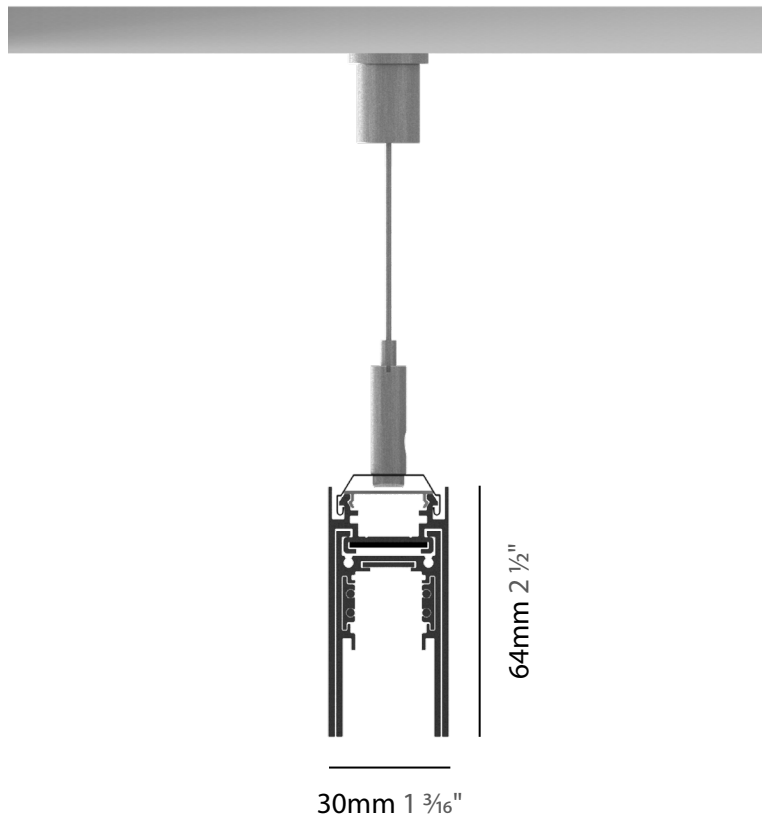
ARCHITECTURAL | CLICKTRACK

The flexible CLICKTRACK 30 pendant system is suitable for a variety of lighting tasks, such as homes, hotels or restaurants. The inside surfaces of the profile, equipped with a 48 V power supply, are always painted black, while the outside is available in a choice of 28 colors to complement any interior design concept. An optional uplight LED module is available. The up and downlight sections can be controlled separately.

All spots are mounted simply by clicking them into the track, without the need for tools. The cable of the pendants variants can be flexibly shortened or extended at any time. The multiple inserts options for either diffused or targeted light can perfectly match diverse project requirements.



SYSTEM PROFILE



A

CLICKTRACK 30 SUSPENSION SYSTEM SPECIFICATION SHEET

PROJECT _____
 TYPE _____
 NOTES _____
 QUANTITY _____
 DATE _____

SYSTEM GUIDE

To make your product selection and complete system specification, proceed with the following: review system options, create your system code in the field below and include your quantity. For the inserts and components, use the field beside each product name. Submit to quotes@zaneen.com to receive a formal BOM and finalized model numbers.

UPON REQUEST
 Additional Options _____
 _____ Color Temperature
 _____ RGB-W / Tunable
 _____ Lumen Outputs
 _____ Beam Angle
 _____ Special LED
 _____ CRI



EXAMPLE A3CLK30-SUS-SYS-UNV-DN-2C-1'S-01-01-01-2

SYSTEM BUILD CODE: A3CLK30-SUS-SYS-_____ **qty**

ELECTRICAL	Voltage	Dimming	Circuit
	UNV - 120/277V	DN - Non Dim	2C - 2 Circuit Operation
	120 - 120V	DP - Phase Dim (Triac/ELV, 100-1%)	EMCIR - Emergency Circuit
	347 - 347V	DV - 0-10V (100-1%) DD - DALI (100-1%)	

LAYOUT	Fixture Head Spacing	Run Shapes	System Finishes	Cable Length
	1' - on center 2' - on center 4' - on center CUS (XX) - Custom <small>Spotlights - Minimum distance of 7"</small>	S _____ ' Straight L _____ 'x _____ ' U _____ 'x _____ 'x _____ ' R _____ 'x _____ ' Rectangle	Profile ◆ _____ End cap ◆ _____ Installation ◆ _____ Clip ◆ (28 colors)	2 - 2000mm 78 3/4" 6 - 6000mm 236 1/4"

INSERTS	CENTRIQ	INSERT BUILD CODE EXAMPLE: A3T078-DN-27K-01-01-24	FINISHES OPTIONS: See page 12 for color options and use 2 digit numbers to indicate your choices																	
	CENTRIQ Ø30	A3T078-	qty																	
	Wattage: 4.3W	Dimming	CCT - 90 CRI	Finish	Reflector	Delivered Lumen (lm)														
		DN - Non Dim DP - Phase Dim DV - 0-10V	27K - 2700K 30K - 3000K 35K - 3500K 40K - 4000K	◆ _____ ▲ _____ (28 colors)	24 - 24° 32 - 32°	<table border="1"> <tr> <th>CCT</th> <th>24°</th> <th>32°</th> </tr> <tr> <td>2700K</td> <td>257</td> <td>230</td> </tr> <tr> <td>3000K</td> <td>272</td> <td>244</td> </tr> <tr> <td>3500K</td> <td>289</td> <td>259</td> </tr> <tr> <td>4000K</td> <td>295</td> <td>264</td> </tr> </table>	CCT	24°	32°	2700K	257	230	3000K	272	244	3500K	289	259	4000K	295
CCT	24°	32°																		
2700K	257	230																		
3000K	272	244																		
3500K	289	259																		
4000K	295	264																		
CENTRIQ Ø40 SUPERSPOT	A3T079-	qty																		
Wattage: 6.3W	Dimming	CCT - 90 CRI	Finish	Reflector	Delivered Lumen (lm)															
	DN - Non Dim DP - Phase Dim DV - 0-10V	27K - 2700K 30K - 3000K 35K - 3500K 40K - 4000K	◆ _____ ▲ _____ (28 colors)	24 - 24° 32 - 32°	<table border="1"> <tr> <th>CCT</th> <th>12°</th> </tr> <tr> <td>2700K</td> <td>368</td> </tr> <tr> <td>3000K</td> <td>389</td> </tr> <tr> <td>3500K</td> <td>414</td> </tr> <tr> <td>4000K</td> <td>422</td> </tr> </table>	CCT	12°	2700K	368	3000K	389	3500K	414	4000K	422					
CCT	12°																			
2700K	368																			
3000K	389																			
3500K	414																			
4000K	422																			

CLICKTRACK 30 SUSPENSION SYSTEM SPECIFICATION SHEET

PROJECT	_____
TYPE	_____
NOTES	_____
QUANTITY	_____
DATE	_____

INSERTS

CENTRIQ

FINISHES OPTIONS:

See page 12 for color options and use 2 digit numbers to indicate your choices

CENTRIQ Ø40	A3T080-				qty						
	Wattage: 6.5W	Dimming	CCT - 90 CRI	Finish	Reflector	Delivered Lumen (lm)					
	DN - Non Dim	27K -2700K	◆ ____	(28 colors)	22 - 22°	CCT	22°	30°	34°	38°	48°
	DP - Phase Dim	30K - 3000K	▲ ____		30 - 30°	2700K	489	471	357	452	444
	DV - 0-10V	35K - 3500K			34 - 34°	3000K	512	493	374	472	465
		40K - 4000K			38 - 38°	3500K	564	544	412	520	513
					48 - 48°	4000K	575	555	420	531	523

CENTRIQ Ø55 SUPERSPOT	A3T081-				qty	
	Wattage: 9.3W	Dimming	CCT - 90 CRI	Finish	Delivered Lumen (lm)	
	DN - Non Dim	27K -2700K	◆ ____	(28 colors)	CCT	8°
	DP - Phase Dim	30K - 3000K	▲ ____		2700K	477
	DV - 0-10V	35K - 3500K			3000K	505
		40K - 4000K			3500K	536
					4000K	547

CENTRIQ Ø55	A3T082-				qty						
	Wattage: 11.5W	Dimming	CCT - 90 CRI	Finish	Reflector	Delivered Lumen (lm)					
	DN - Non Dim	27K -2700K	◆ ____	(28 colors)	18 - 18°	CCT	18°	26°	34°	36°	52°
	DP - Phase Dim	30K - 3000K	▲ ____		26 - 26°	2700K	750	643	772	804	818
	DV - 0-10V	35K - 3500K			34 - 34°	3000K	784	673	807	841	856
		40K - 4000K			36 - 36°	3500K	815	700	839	874	890
					52 - 52°	4000K	832	714	856	892	908

CLICKLINE INDIRECT

CLICKLINE INDIRECT 1000	A38963-			qty	
	Wattage: 12.3W	Dimming	CCT - 90 CRI	Delivered Lumen (lm)	
	DN - Non Dim		27K -2700K	2700K	992
	DP - Phase Dim		30K - 3000K	3000K	992
	DV - 0-10V		40K - 4000K	4000K	1017

CLICKTRACK 30 SUSPENSION SYSTEM SPECIFICATION SHEET

PROJECT	_____
TYPE	_____
NOTES	_____
QUANTITY	_____
DATE	_____

INSERTS

CLICKLINE INDIRECT

FINISHES OPTIONS:

See page 12 for color options and use 2 digit numbers to indicate your choices

	CLICKLINE INDIRECT 2000	A38964-	qty		
	Wattage: 24.6W	Dimming	CCT - 90 CRI	Delivered Lumen (lm)	
	DN - Non Dim		27K -2700K	2700K	1985
	DP - Phase Dim		30K - 3000K	3000K	1985
		DV - 0-10V	40K - 4000K	4000K	2035

	CLICKLINE INDIRECT 3000	A38965-	qty		
	Wattage: 37W	Dimming	CCT - 90 CRI	Delivered Lumen (lm)	
	DN - Non Dim		27K -2700K	2700K	2977
	DP - Phase Dim		30K - 3000K	3000K	2977
		DV - 0-10V	40K - 4000K	4000K	3052

HANGOVER (fabric cable)

	Ø40 H:150	A3T129-	qty							
	Wattage: 9.8W	Dimming	CCT - 90 CRI	Finish	Reflector	Shine Ring	Cable (Color/Length)	Delivered Lumen (lm)		
	DN - Non Dim		27K -2700K	◆ —	40 - 40°	○ —	T — (2 digit number below) Color 2000m 6000m White 21 61 Black 22 62 Orange 23 63 Red 24 64	CCT	40°	52°
	DP - Phase Dim		30K - 3000K	▲ —	52 - 52°	(6 colors)		2700K	694	684
	DV - 0-10V	35K - 3500K	(28 colors)		No shine ring: indicate with 00	3000K	726	716		
		40K - 4000K				3500K	753	742		
						4000K	770	759		

	Ø40 H:300	A3T130-	qty							
	Wattage: 11.5W	Dimming	CCT - 90 CRI	Finish	Reflector	Shine Ring	Cable (Color/Length)	Delivered Lumen (lm)		
	DN - Non Dim		27K -2700K	◆ —	40 - 40°	○ —	T — (2 digit number below) Color 2000m 6000m White 21 61 Black 22 62 Orange 23 63 Red 24 64	CCT	40°	52°
	DP - Phase Dim		30K - 3000K	▲ —	52 - 52°	(6 colors)		2700K	694	684
	DV - 0-10V	35K - 3500K	(28 colors)		No shine ring: indicate with 00	3000K	726	716		
		40K - 4000K				3500K	753	742		
						4000K	770	759		

CLICKTRACK 30 SUSPENSION SYSTEM SPECIFICATION SHEET

PROJECT	_____
TYPE	_____
NOTES	_____
QUANTITY	_____
DATE	_____

INSERTS

HANGOVER (fabric cable)

FINISHES OPTIONS:

See page 12 for color options and use 2 digit numbers to indicate your choices

Ø40 H:450	A3T131-						qty																					
	Wattage: 11.5W	Dimming	CCT - 90 CRI	Finish	Reflector	Shine Ring	Cable (Color/Length)		Delivered Lumen (lm)																			
	DN - Non Dim	27K -2700K	◆ _____	40 - 40°			CCT 2700K 3000K 3500K 4000K	18° 36° 56°	857 896 930 951	855 894 927 948	851 890 923 944																	
	DP - Phase Dim	30K - 3000K	▲ _____	52 - 52°								(6 colors) No shine ring: indicate with 00	(2 digit number below)	2700K 3000K 3500K 4000K	18° 36° 56°	857 896 930 951	855 894 927 948	851 890 923 944										
	DV - 0-10V	35K - 3500K	(28 colors)	56 - 56°															White 21 61 Black 22 62 Orange 23 63 Red 24 64	3000K 3500K 4000K	18° 36° 56°	896 930 951	894 927 948	890 923 944				
		40K - 4000K																										

Ø75 H:150	A3T135-						qty																					
	Wattage: 9.8W	Dimming	CCT - 90 CRI	Finish	Reflector	Shine Ring	Cable (Color/Length)		Delivered Lumen (lm)																			
	DN - Non Dim	27K -2700K	◆ _____	18 - 18°			CCT 2700K 3000K 3500K 4000K	18° 36° 56°	857 896 930 951	855 894 927 948	851 890 923 944																	
	DP - Phase Dim	30K - 3000K	▲ _____	36 - 36°								(6 colors) No shine ring: indicate with 00	(2 digit number below)	2700K 3000K 3500K 4000K	18° 36° 56°	857 896 930 951	855 894 927 948	851 890 923 944										
	DV - 0-10V	35K - 3500K	(28 colors)	56 - 56°															White 21 61 Black 22 62 Orange 23 63 Red 24 64	3000K 3500K 4000K	18° 36° 56°	896 930 951	894 927 948	890 923 944				
		40K - 4000K																										

Ø75 H:150 DIR/IND	A3T136-						qty																					
	Wattage: 19.5W	Dimming	CCT - Direct	CCT - Indirect	Finish	Reflector	Shine Ring	Cable (Color/Length)		Delivered Lumen (lm)																		
	DN - Non Dim	27K -2700K	27K -2700K	◆ _____	18 - 18°			CCT 27K/27K 30K/30K 35K/30K 40K/40K	18° 36° 56°	1696 1692 1798 1829	1692 1768 1795 1829	1690 1765 1792 1826																
	DP - Phase Dim	30K - 3000K	30K - 3000K	▲ _____	36 - 36°								(6 colors) No shine ring: indicate with 00	(2 digit number below)	27K/27K 30K/30K 35K/30K 40K/40K	18° 36° 56°	1696 1692 1798 1829	1692 1768 1795 1829	1690 1765 1792 1826									
	DV - 0-10V	35K - 3500K	40K - 4000K	(28 colors)	56 - 56°															White 21 61 Black 22 62 Orange 23 63 Red 24 64	30K/30K 35K/30K 40K/40K	18° 36° 56°	1771 1798 1833	1768 1795 1829	1765 1792 1826			
		40K - 4000K																										

Ø75 H:300	A3T137-						qty																					
	Wattage: 9.8W	Dimming	CCT - 90 CRI	Finish	Reflector	Shine Ring	Cable (Color/Length)		Delivered Lumen (lm)																			
	DN - Non Dim	27K -2700K	◆ _____	18 - 18°			CCT 2700K 3000K 3500K 4000K	18° 36° 56°	857 896 930 951	855 894 927 948	851 890 923 944																	
	DP - Phase Dim	30K - 3000K	▲ _____	36 - 36°								(6 colors) No shine ring: indicate with 00	(2 digit number below)	2700K 3000K 3500K 4000K	18° 36° 56°	857 896 930 951	855 894 927 948	851 890 923 944										
	DV - 0-10V	35K - 3500K	(28 colors)	56 - 56°															White 21 61 Black 22 62 Orange 23 63 Red 24 64	3000K 3500K 4000K	18° 36° 56°	896 930 951	894 927 948	890 923 944				
		40K - 4000K																										

CLICKTRACK 30 SUSPENSION SYSTEM SPECIFICATION SHEET

PROJECT	_____
TYPE	_____
NOTES	_____
QUANTITY	_____
DATE	_____

INSERTS

HANGOVER (fabric cable)

FINISHES OPTIONS:

See page 12 for color options and use 2 digit numbers to indicate your choices

Ø75 H:300 DIR/IND	A3T138-					qty							
Wattage: 19.5W	Dimming	CCT - Direct	CCT - Indirect	Finish	Reflector	Shine Ring	Cable (Color/Length)	Delivered Lumen (lm)					
	DN - Non Dim	27K -2700K	27K -2700K	◆ _____	18 - 18°	○ _____	T _____ (2 digit number below)	CCT	18°	36°	56°		
	DP - Phase Dim	30K - 3000K	30K - 3000K	▲ _____	36 - 36°	(6 colors)		27K/27K	1696	1692	1690		
	DV - 0-10V	35K - 3500K	40K - 4000K	(28 colors)	56 - 56°	No shine ring: indicate with 00	Color	2000m	6000m	30K/30K	1771	1768	1765
							Black	21	61	35K/30K	1798	1795	1792
							White	22	62	40K/40K	1833	1829	1826
						Orange	23	63					
						Red	24	64					

HANGOVER PLUG (wired cable)

Ø28 H:150	A3T120-					qty							
Wattage: 6.4W	Dimming	CCT - 90 CRI	Finish	Reflector	Shine Ring	Cable (Color/Length)	Delivered Lumen (lm)						
	DN - Non Dim	27K -2700K	◆ _____	20 - 20°	○ _____	T _____ (2 digit number below)	CCT	20°	26°	56°			
	DP - Phase Dim	30K - 3000K	▲ _____	26 - 26°	(6 colors)		2700K	403	397	381			
	DV - 0-10V	35K - 3500K	40K - 4000K	(28 colors)	56 - 56°	No shine ring: indicate with 00	Color	2000m	4000m	3000K	427	420	404
							Black	01	02	3500K	451	443	426
							White	03	04	4000K	463	455	438
						Orange	05	06					
						Red	07	08					
						Green	09	10					

Ø28 H:300	A3T121-					qty							
Wattage: 6.4W	Dimming	CCT - 90 CRI	Finish	Reflector	Shine Ring	Cable (Color/Length)	Delivered Lumen (lm)						
	DN - Non Dim	27K -2700K	◆ _____	20 - 20°	○ _____	T _____ (2 digit number below)	CCT	20°	26°	56°			
	DP - Phase Dim	30K - 3000K	▲ _____	26 - 26°	(6 colors)		2700K	403	397	381			
	DV - 0-10V	35K - 3500K	40K - 4000K	(28 colors)	56 - 56°	No shine ring: indicate with 00	Color	2000m	4000m	3000K	427	420	404
							Black	01	02	3500K	451	443	426
							White	03	04	4000K	463	455	438
						Orange	05	06					
						Red	07	08					
						Green	09	10					

Ø28 H:450	A3T122-					qty							
Wattage: 6.4W	Dimming	CCT - 90 CRI	Finish	Reflector	Shine Ring	Cable (Color/Length)	Delivered Lumen (lm)						
	DN - Non Dim	27K -2700K	◆ _____	20 - 20°	○ _____	T _____ (2 digit number below)	CCT	20°	26°	56°			
	DP - Phase Dim	30K - 3000K	▲ _____	26 - 26°	(6 colors)		2700K	403	397	381			
	DV - 0-10V	35K - 3500K	40K - 4000K	(28 colors)	56 - 56°	No shine ring: indicate with 00	Color	2000m	4000m	3000K	427	420	404
							Black	01	02	3500K	451	443	426
							White	03	04	4000K	463	455	438
						Orange	05	06					
						Red	07	08					
						Green	09	10					

CLICKTRACK 30 SUSPENSION SYSTEM SPECIFICATION SHEET

PROJECT	_____
TYPE	_____
NOTES	_____
QUANTITY	_____
DATE	_____

INSERTS

HANGOVER PLUG (wired cable)

FINISHES OPTIONS:

See page 12 for color options and use 2 digit numbers to indicate your choices

Ø40 H:150	A3T132-							qty																				
	Wattage: 9.8W	Dimming	CCT - 90 CRI	Finish	Reflector	Shine Ring	Cable (Color/Length)	Delivered Lumen (lm)																				
		DN - Non Dim	27K - 2700K	◆ _____	40 - 40°	 (6 colors) No shine ring: indicate with 00	T _____ (2 digit number below)	<table border="1"> <tr> <th>Color</th> <th>2000m</th> <th>4000m</th> </tr> <tr> <td>Black</td> <td>01</td> <td>02</td> </tr> <tr> <td>White</td> <td>03</td> <td>04</td> </tr> <tr> <td>Orange</td> <td>05</td> <td>06</td> </tr> <tr> <td>Red</td> <td>07</td> <td>08</td> </tr> <tr> <td>Green</td> <td>09</td> <td>10</td> </tr> </table>	Color	2000m	4000m	Black	01	02	White	03	04	Orange	05	06	Red	07	08	Green	09	10	CCT	40°
Color		2000m	4000m																									
Black		01	02																									
White		03	04																									
Orange	05	06																										
Red	07	08																										
Green	09	10																										
DP - Phase Dim	30K - 3000K	▲ _____	52 - 52°	2700K	694	684																						
DV - 0-10V	35K - 3500K	(28 colors)	3000K	726	716																							
40K - 4000K	3500K	753	742																									

Ø40 H:300	A3T133-							qty																				
	Wattage: 9.8W	Dimming	CCT - 90 CRI	Finish	Reflector	Shine Ring	Cable (Color/Length)	Delivered Lumen (lm)																				
		DN - Non Dim	27K - 2700K	◆ _____	40 - 40°	 (6 colors) No shine ring: indicate with 00	T _____ (2 digit number below)	<table border="1"> <tr> <th>Color</th> <th>2000m</th> <th>4000m</th> </tr> <tr> <td>Black</td> <td>01</td> <td>02</td> </tr> <tr> <td>White</td> <td>03</td> <td>04</td> </tr> <tr> <td>Orange</td> <td>05</td> <td>06</td> </tr> <tr> <td>Red</td> <td>07</td> <td>08</td> </tr> <tr> <td>Green</td> <td>09</td> <td>10</td> </tr> </table>	Color	2000m	4000m	Black	01	02	White	03	04	Orange	05	06	Red	07	08	Green	09	10	CCT	40°
Color		2000m	4000m																									
Black		01	02																									
White		03	04																									
Orange	05	06																										
Red	07	08																										
Green	09	10																										
DP - Phase Dim	30K - 3000K	▲ _____	52 - 52°	2700K	694	684																						
DV - 0-10V	35K - 3500K	(28 colors)	3000K	726	716																							
40K - 4000K	3500K	753	742																									

Ø40 H:450	A3T134-							qty																				
	Wattage: 9.8W	Dimming	CCT - 90 CRI	Finish	Reflector	Shine Ring	Cable (Color/Length)	Delivered Lumen (lm)																				
		DN - Non Dim	27K - 2700K	◆ _____	40 - 40°	 (6 colors) No shine ring: indicate with 00	T _____ (2 digit number below)	<table border="1"> <tr> <th>Color</th> <th>2000m</th> <th>4000m</th> </tr> <tr> <td>Black</td> <td>01</td> <td>02</td> </tr> <tr> <td>White</td> <td>03</td> <td>04</td> </tr> <tr> <td>Orange</td> <td>05</td> <td>06</td> </tr> <tr> <td>Red</td> <td>07</td> <td>08</td> </tr> <tr> <td>Green</td> <td>09</td> <td>10</td> </tr> </table>	Color	2000m	4000m	Black	01	02	White	03	04	Orange	05	06	Red	07	08	Green	09	10	CCT	40°
Color		2000m	4000m																									
Black		01	02																									
White		03	04																									
Orange	05	06																										
Red	07	08																										
Green	09	10																										
DP - Phase Dim	30K - 3000K	▲ _____	52 - 52°	2700K	694	684																						
DV - 0-10V	35K - 3500K	(28 colors)	3000K	726	716																							
40K - 4000K	3500K	753	742																									

Ø75 H:150	A3T139-							qty																					
	Wattage: 6.4W	Dimming	CCT - 90 CRI	Finish	Reflector	Shine Ring	Cable (Color/Length)	Delivered Lumen (lm)																					
		DN - Non Dim	27K - 2700K	◆ _____	6 - 6°	 (6 colors) No shine ring: indicate with 00	T _____ (2 digit number below)	<table border="1"> <tr> <th>Color</th> <th>2000m</th> <th>4000m</th> </tr> <tr> <td>Black</td> <td>01</td> <td>02</td> </tr> <tr> <td>White</td> <td>03</td> <td>04</td> </tr> <tr> <td>Orange</td> <td>05</td> <td>06</td> </tr> <tr> <td>Red</td> <td>07</td> <td>08</td> </tr> <tr> <td>Green</td> <td>09</td> <td>10</td> </tr> </table>	Color	2000m	4000m	Black	01	02	White	03	04	Orange	05	06	Red	07	08	Green	09	10	CCT	6°	22°
Color		2000m	4000m																										
Black		01	02																										
White		03	04																										
Orange	05	06																											
Red	07	08																											
Green	09	10																											
DP - Phase Dim	30K - 3000K	▲ _____	22 - 22°	2700K	389	335	371																						
DV - 0-10V	35K - 3500K	(28 colors)	38 - 38°	3000K	412	355	393																						
40K - 4000K	3500K	435	375	415																									

CLICKTRACK 30 SUSPENSION SYSTEM SPECIFICATION SHEET

HANGOVER PLUG (wired cable)

FINISHES OPTIONS:

See page 12 for color options and use 2 digit numbers to indicate your choices

INSERTS

Ø75 H:150 DIR/IND	A3T140-							qty					
	Wattage: 9.6W	Dimming	CCT - Direct	CCT - Indirect	Finish	Reflector	Shine Ring	Cable (Color/Length)		Delivered Lumen (lm)			
	DN - Non Dim	27K -2700K	27K -2700K	◆ _____	6 - 6°	○ _____	T _____ (2 digit number below)		CCT	6°	22°	38°	
	DP - Phase Dim	30K - 3000K	30K - 3000K	▲ _____	22 - 22°	(6 colors)			27K/27K	712	656	691	
	DV - 0-10V	35K - 3500K	40K - 4000K	(28 colors)	38 - 38°	No shine ring: indicate with 00	Color	2000m	4000m	30K/30K	750	690	728
							Black	01	02	35K/30K	770	709	748
							White	03	04	40K/40K	793	730	770
						Orange	05	06					
						Red	07	08					
						Green	09	10					

ACCESSORY

INDIRECT DIFFUSER	A380106-							qty			
	Finish										
	_____ (5 colors - choose 3 letter code below)							Indirect diffuser accessory for Hangover and Hangover Plug Ø75mm.			
	Yellow - YEL	Orange - ORA	Red - RED	Blue - BLU	Green - GRN						

HANGOVER PLUG MICRO-DOT

Ø28 H:150	A3T117-							qty			
Wattage: 6.4W	Dimming	CCT - 90 CRI	Finish	Reflector	Cable (Color/Length)	Delivered Lumen (lm)					
	DN - Non Dim	27K -2700K	◆ _____	32 - 32°	T _____ (2 digit number below)		CCT	32°	58°		
	DP - Phase Dim	30K - 3000K	▲ _____	58 - 58°			2700K	283	310		
	DV - 0-10V	35K - 3500K	(28 colors)			Color	2000m	4000m			
		40K - 4000K				Black	01	02	3000K	300	328
						White	03	04	3500K	317	347
					Orange	05	06	4000K	325	356	
					Red	07	08				
					Green	09	10				

Ø28 H:300	A3T118-							qty			
Wattage: 6.4W	Dimming	CCT - 90 CRI	Finish	Reflector	Cable (Color/Length)	Delivered Lumen (lm)					
	DN - Non Dim	27K -2700K	◆ _____	32 - 32°	T _____ (2 digit number below)		CCT	32°	58°		
	DP - Phase Dim	30K - 3000K	▲ _____	58 - 58°			2700K	283	310		
	DV - 0-10V	35K - 3500K	(28 colors)			Color	2000m	4000m			
		40K - 4000K				Black	01	02	3000K	300	328
						White	03	04	3500K	317	347
					Orange	05	06	4000K	325	356	
					Red	07	08				
					Green	09	10				

CLICKTRACK 30 SUSPENSION SYSTEM SPECIFICATION SHEET

PROJECT	_____
TYPE	_____
NOTES	_____
QUANTITY	_____
DATE	_____

HANGOVER PLUG MICRO-DOT

FINISHES OPTIONS:

See page 12 for color options and use 2 digit numbers to indicate your choices

INSERTS

Ø28 H:450	A3T119-				qty	
Wattage: 6.4W	Dimming	CCT - 90 CRI	Finish	Reflector	Cable (Color/Length)	Delivered Lumen (lm)
	DN - Non Dim	27K -2700K	◆ ____	32 - 32°	T ____ (2 digit number below) Color 2000m 4000m █ Black 01 02 █ White 03 04 █ Orange 05 06 █ Red 07 08 █ Green 09 10	CCT 32° 58°
	DP - Phase Dim	30K - 3000K	▲ ____	58 - 58°		2700K 283 310
	DV - 0-10V	35K - 3500K	(28 colors)			3000K 300 328
	40K - 4000K					3500K 317 347
						4000K 325 356

LEDLINE

LEDLINE 620	A3T086-				qty	
Wattage: 6.6W/7.9W(DV)	Dimming	CCT - 90 CRI			Delivered Lumen (lm)	
	DN - Non Dim	27K -2700K			CCT Non-Dim 0-10V	
	DP - Phase Dim	30K - 3000K			2700K 358 537	
	DV - 0-10V	40K - 4000K			3000K 358 591	
					4000K 358 693	

LEDLINE 820	A3T087-				qty	
Wattage: 8.8W/10.6W(DV)	Dimming	CCT - 90 CRI			Delivered Lumen (lm)	
	DN - Non Dim	27K -2700K			CCT Non-Dim 0-10V	
	DP - Phase Dim	30K - 3000K			2700K 478 716	
	DV - 0-10V	40K - 4000K			3000K 478 788	
					4000K 478 924	

LEDLINE 1020	A3T088-				qty	
Wattage: 11W/13.2W(DV)	Dimming	CCT - 90 CRI			Delivered Lumen (lm)	
	DN - Non Dim	27K -2700K			CCT Non-Dim 0-10V	
	DP - Phase Dim	30K - 3000K			2700K 597 896	
	DV - 0-10V	40K - 4000K			3000K 597 985	
					4000K 597 1155	

LEDLINE 1220	A3T089-				qty	
Wattage: 13.2W/15.8W(DV)	Dimming	CCT - 90 CRI			Delivered Lumen (lm)	
	DN - Non Dim	27K -2700K			CCT Non-Dim 0-10V	
	DP - Phase Dim	30K - 3000K			2700K 716 1075	
	DV - 0-10V	40K - 4000K			3000K 716 1182	
					4000K 716 1386	

CLICKTRACK 30 SUSPENSION SYSTEM SPECIFICATION SHEET

PROJECT	_____
TYPE	_____
NOTES	_____
QUANTITY	_____
DATE	_____

INSERTS

MAGIQ

FINISHES OPTIONS:

See page 12 for color options and use 2 digit numbers to indicate your choices

MAGIQ 4	A380062-				qty			
Wattage: 13.3W	Dimming	CCT - 90 CRI	Finish	Reflector	Delivered Lumen (lm)			
	DN - Non Dim	27K -2700K	◆ ____	8 - 8°	CCT	8°	14°	34°
	DP - Phase Dim	30K - 3000K	(28 colors)	14 - 14°	2700K	659	612	781
	DV - 0-10V	35K - 3500K		34 - 34°	3000K	712	661	843
		40K - 4000K			3500K	727	675	860
					4000K	742	689	878

MAGIQ 4 KORONA	A380052-				qty			
Wattage: 13.3W	Dimming	CCT - 90 CRI	Finish	Reflector	Delivered Lumen (lm)			
	DN - Non Dim	27K -2700K	◆ ____	8 - 8°	CCT	8°	14°	34°
	DP - Phase Dim	30K - 3000K	▲ ____	14 - 14°	2700K	659	612	781
	DV - 0-10V	35K - 3500K	(28 colors)	34 - 34°	3000K	712	661	843
		40K - 4000K			3500K	727	675	860
					4000K	742	689	878

SNOOKER

SNOOKER	A3T090-				qty			
Wattage: 6.4W	Dimming	CCT - 90 CRI	Finish	Reflector	Cable (Color/Length)	Delivered Lumen (lm)		
	DN - Non Dim	27K -2700K	◆ ____	32 - 32°	T ____ (2 digit number below) Color 2000m 4000m Black 01 02 White 03 04 Orange 05 06 Red 07 08 Green 09 10	CCT	32°	58°
	DP - Phase Dim	30K - 3000K	(28 colors)	58 - 58°		2700K	283	310
	DV - 0-10V	35K - 3500K				3000K	300	328
		40K - 4000K				3500K	317	347
						4000K	325	356

SNOOKER SHINE	A3T091-				qty				
Wattage: 6.4W	Dimming	CCT - 90 CRI	Finish	Reflector	Shine Ring	Cable (Color/Length)	Delivered Lumen (lm)		
	DN - Non Dim	27K -2700K	◆ ____	32 - 32°	○ ____ (6 colors)	T ____ (2 digit number below) Color 2000m 4000m Black 01 02 White 03 04 Orange 05 06 Red 07 08 Green 09 10	CCT	32°	58°
	DP - Phase Dim	30K - 3000K	(28 colors)	58 - 58°			2700K	283	310
	DV - 0-10V	35K - 3500K					3000K	300	328
		40K - 4000K					3500K	317	347
							4000K	325	356

CLICKTRACK 30 SUSPENSION SYSTEM SPECIFICATION SHEET

PROJECT	_____
TYPE	_____
NOTES	_____
QUANTITY	_____
DATE	_____

SYSTEM SUMMARY

System

Type

Suspension
Rated for Dry Locations Ceiling Mounted

Approval Status

Certified to North American Standards

Emission

Refer to emission icon beside each light insert and symbol legend for descriptions

Efficiency

Acrylic Opal Diffuser (snap-in) lens 43%

Profile

Measurement

w 30mm (1 1/2") x ht. 64mm (2 1/2")

Housing

Anodized extruded aluminum profile available per meter and field-cuttable
Profiles have a maximum length of 3000mm (9' 10 3/4") and joined together with couplers to ensure uniform appearance and easy installation

Suspension Lengths

Standard lengths include 2000mm and 6000mm
Any custom length must be pre-cut on site
Maximum custom length available is 10000mm

Electrical

Connections

Luminaries are pre-wired by factory

Power Feed

Located next to the end cap at the end of the fixture, on top of the profile
If a different location is required, please specify
A connector is located on one end of the 48V profile channel to carry the electrical power from the supply unit - there is 165mm (6 1/2") of unusable space for inserts from the end cap
3 Wires - non-dimming or phase dimming
4 Wires - two circuits of non-dimming or phase dimming
5 Wires - 0-10V dimming or dali dimming

LED Driver

Driver Included with Power Supply Unit (Non-dimming only). 0-10V driver must be remote with supplied enclosure. Maximum distance between the power supply and the last fixture on the circuit is 30' using a 18-gauge wire. For more than 30', the gauge of the wire must be determined by a certified professional. The length of the fixture specified must be considered within the maximum distance of 3'. Provisions must be made on site for accessibility to the power supplies.
Electronic Class 2 driver, Universal 120V/277V
Non Dimming Driver, Dimming Driver 0-10V (10-100%)
Consult factory for driver cutsheet
If a different driver is required, please specify

Emergency Inverter Compatible

To be installed remotely, and provided by others
It can be located up to 250m away from the fixture

Emergency circuit wiring is available upon request (Isolated track with dedicated driver used for emergency circuit will connect to emergency battery pack - supplied by others)

General

Features

Korona Cone is a glare-reduction cone that sits in front of the reflector - available in 28 standard colors, thus creating a special decorative effect

LFO lenses ensure a glare free downlight without illuminating the luminaries housing and the lowest UGR ratings perfect for residential and hospitality applications

All spots are mounted simply by clicking them into the track, without the need for tools. The cable of the pendants can be flexibly shortened or extended at any time

The Clicktrack is standard black on the inside, while the outside is available in the 28 colors to complement any interior design concept

An optional uplight LED module is available. The up and downlight sections can be controlled separately

Custom Requests and Additional Options

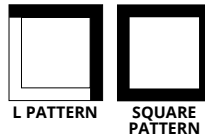
Availability depends by insert, system, and configuration
Must consult factory and allow up to 5 business days for an answer

Special beam angles, individual sizes, special LEDs, RGB-W, tunable, light inserts with different outputs

Special LEDs optimize luminaries to meet different applications
Gold+ invokes a heavy golden tone intended for bread and pastries
Meat+ displays saturated red light (white parts of product will appear slightly red)
Art+ highlights pieces of art without adversely affecting the perception of individual colors
Fashion+ has the entire color spectrum brilliantly orchestrated without distorting the color temperature

Configuration

Consult factory for patterns or custom designs
Provide configuration drawings



*Shop drawings provided upon receiving purchase order

Warranty

ZANEEN provides a limited warranty from date of purchase to original purchaser

LED Inserts: 5 year tested for 50,000 hours at 70% lumen output (L70)

LED Driver: 5 year

Non-Electrical Components: 1 year

*Check boxes to complete specification order and submit to quotes@zaneen.com to receive a formal BOM and a finalized model number

*In a constant effort to supply the best product, we reserve the right to change specifications or materials without notice. The most recent specification sheets are found at zaneen.com

CLICKTRACK 30 SUSPENSION SYSTEM SPECIFICATION SHEET

PROJECT _____
 TYPE _____
 NOTES _____
 QUANTITY _____
 DATE _____

FINISH COLORS



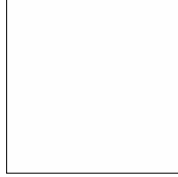
Sparkling Silver - 01



Black Velvet - 02



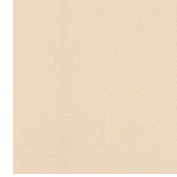
Crystal White - 03



Creamy - 04



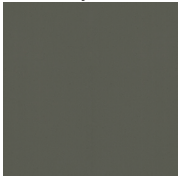
Hampton Bay - 05



Urban Forest - 07



In the Army - 08



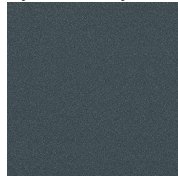
Rusty Angel - 09



Fade to Grey - 12



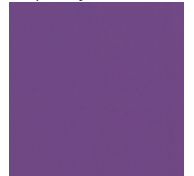
Mysterious Grey - 13



Lost Dream - 15



Purple Sky - 16



Fresh Oh - 17



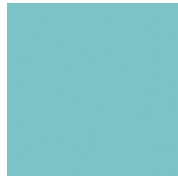
Funky P - 18



Kissing Aphrodite - 19



Poseidon's Paradise - 20



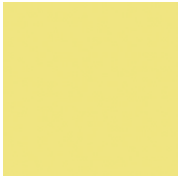
Blue Sky - 21



Spring Green - 22



Mellow Yellow - 23



Golden Heart - 24



Gun Metal - 25



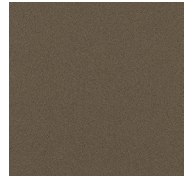
Champagne Cream - 26



Copper Mine - 27



Ancient Bronze - 28



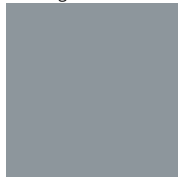
Jazz Gold - 29



Olive Breeze - 30



Moonlight Silver - 31



Rosewood Red - 32



SHINE RING



Opal - 01



Yellow - 02



Orange - 03



Red - 04



Blue - 05



Green - 06



Digital: Not all screens are calibrated the same, and therefore, colors will appear differently between screens.

Physical: When texture is involved, there will be variations in color, character and tone within a product series and between product families.

Gun Metal: No Gun Metal finish is alike. It combines a mixture of transparent and black color particles which ensures a highly individual effect and no luminaire being identical.

Champagne Cream, Copper Mine, Ancient Bronze + Jazz Gold: These finishes have slight fading from specific powder coating production. Each luminaire will slightly vary.

RAL Color Upon Request



CLICKTRACK 30 SUSPENSION SYSTEM SPECIFICATION SHEET

PROJECT	_____
TYPE	_____
NOTES	_____
QUANTITY	_____
DATE	_____

LEGEND

	floor-mounted		pivotal		special LED (upon request) RGB, RGBW, tunable, gold+, meat+, art+, fashion+
	wall and ceiling: recessed and surface mounted		rotating		warm dim / natural dimming LED
	ceiling-mounted and wall-mounted		illuminate tilted		rechargeable battery powered
	wall-mounted		color of suspension cable		fixture with natural vivid LED (upon request)
	omni-directional light distribution		length of suspension cable		color rendering index
	direct light distribution		reflector degree selection		color temperature
	direct/indirect light distribution		super spot		lumen (luminous flux)
	indirect light distribution		lens		efficacy (lumens per watt)
	asymmetric light distribution		lens pack		Unified Glare Rating (UGR) range from 5-40
	aura light distribution		shine ring		marine grade (AISI 316 stainless steel)
	round wall or ceiling cut-out		integrated shine ring with diffuser		walk on
	square wall or ceiling cut-out		free individual colors 01-29		drive on
	the supplied jig specifies the cutout dimensions		individual colors: 00 (free of charge), 01-25 (extra charge)		Dark Sky Compliance
	minimum distance (meters) lamp - object		luminaire part to be colored (F1)		Americans with Disabilities Act (less than 4" off the wall located between 27"-84" from floor)
	recessed depth		luminaire part to be colored (F2)		lamp protected against explosion
	ceiling thickness in mm		luminaire part to be colored (F3)		blown glass using traditional methods by master glass blower
	ceiling thickness selection		luminaire part to be colored (F4)		acoustic material
	dimmable DP (phase), DV (0-10V), DD (dali), DS (step-dim)		luminaire part to be colored (F5)		protection class I, protection insulation
	included or excluded LED driver/transformer/control gear		color of 3-circuit adaptor		protection class II, protection insulation
	separately switchable		indirect diffuser		ETL Certified to UL and CSA Standards
	sensor		direct diffuser		UL Certified to UL and CSA Standards
	remote control		ball-proof (upon request)		CSA Certified to UL and CSA Standards
	available upon request		accessory		Certified for North American Standards

IP RATING

	protected against ingress of solid bodies greater than 12.5mm (finger)
	protected against ingress of solid bodies greater than 2.5mm protected against sprays of water up to 60 degrees from the vertical (rain)
	protected against ingress of solid bodies greater than 1mm (wire) no protection against the ingress of moisture
	protected against ingress of solid bodies greater than 1mm (wire) protected against sprays of water up to 60 degrees from the vertical (rain)
	protected against ingress of solid bodies greater than 1mm (wire) protected against water splashed from all directions
	protected against limited ingress of dust (wet rooms/covered outdoor areas) protected against water splashed from all directions
	protected against ingress of dust protected against jets of water
	protected against ingress of dust protected against powerful jets of water or heavy seas
	protected against ingress of dust protected against immersion of water between 15cm - 1m for 30 minutes
	protected against ingress of dust protected against immersion of water under pressure for long periods

IK RATING

	protected against 0.14 joules impact (equivalent to 0.25kg mass dropped from 56mm above the surface)
	protected against 0.2 joules impact (equivalent to 0.25kg mass dropped from 80mm above the surface)
	protected against 0.35 joules impact (equivalent to 0.25kg mass dropped from 140mm above the surface)
	protected against 0.5 joules impact (equivalent to 0.25kg mass dropped from 200mm above the surface)
	protected against 0.7 joules impact (equivalent to 0.25kg mass dropped from 280mm above the surface)
	protected against 1 joules impact (equivalent to 0.25kg mass dropped from 400mm above the surface)
	protected against 2 joules impact (equivalent to 0.5kg mass dropped from 400mm above the surface)
	protected against 5 joules impact (equivalent to 1.7kg mass dropped from 300mm above the surface)
	protected against 10 joules impact (equivalent to 5.0kg mass dropped from 200mm above the surface)
	protected against 20 joules impact (equivalent to 5.0kg mass dropped from 400mm above the surface)

CLICKTRACK 30 SUSPENSION SYSTEM SPECIFICATION SHEET

WIRING DIAGRAMS

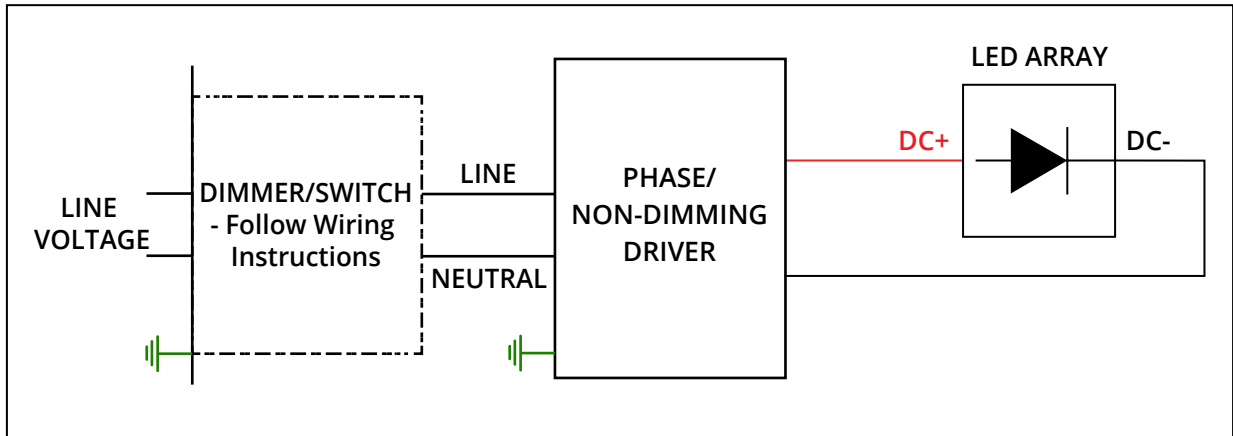
ALL ZANEEN FIXTURES ARE MANUFACTURED TO NORTH AMERICAN ELECTRICAL STANDARDS

Post Sales Support
 HQ 1-800-388-3382 X 625 support@zaneen.com

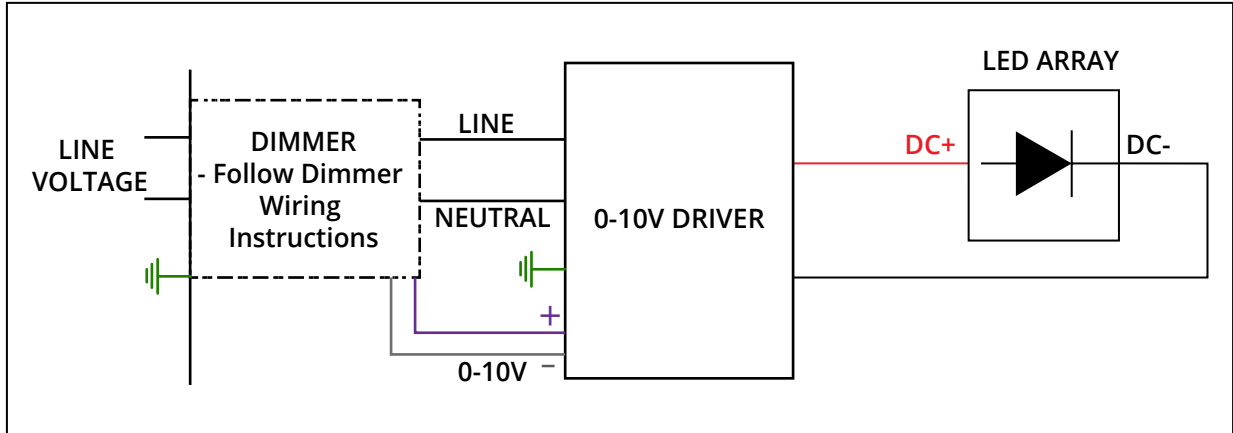
IMPORTANT

- Do NOT connect directly to line voltage
- There is a minimum and maximum load per driver (See fixture and driver specifications).
- Fixture MUST be connected to LED driver, prior to turning power on

PHASE/NON-DIMMING WIRING DIAGRAM



0-10V DIMMING WIRING DIAGRAM



CLICKTRACK 30 SUSPENSION SYSTEM SPECIFICATION SHEET

PROJECT	_____
TYPE	_____
NOTES	_____
QUANTITY	_____
DATE	_____

Insert custom drawing here or attach with additional pages

