

INFINITE CANVAS SURFACE/SUSPENSION SYSTEM SPECIFICATION SHEET

| | |
|----------|-------|
| PROJECT | _____ |
| TYPE | _____ |
| NOTES | _____ |
| QUANTITY | _____ |
| DATE | _____ |



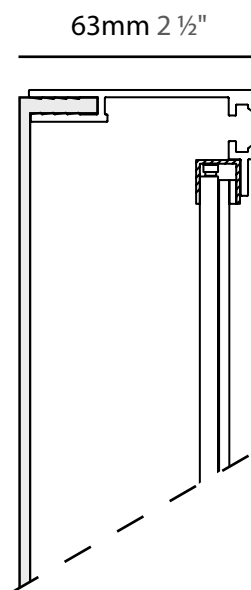
ARCHITECTURAL | INFINITE CANVAS

INFINITE CANVAS is a custom LED panel suitable for back-lighting; the interchangeable fabric system allows an easy replacement of the graphics.

The gap between the backlight and the diffuser and the extreme lightness of the latter also allows the creation of large light surfaces. Replacing the artwork is quick and intuitive, it does not require any particular tool, and the canvas can be placed simply by pressing it into the frame.



SYSTEM PROFILE



A

INFINITE CANVAS SURFACE/SUSPENSION SYSTEM SPECIFICATION SHEET

PROJECT _____
 TYPE _____
 NOTES _____
 QUANTITY _____
 DATE _____

SYSTEM GUIDE

To make your product selection and complete system specification, proceed with the following: review system options, create your system code in the field below and include your quantity. Submit to quotes@zaneen.com to receive a formal BOM and finalized model numbers.

UPON REQUEST
 Additional Options _____
 _____ Color Temperature
 _____ Tunable White
 _____ LED Colors
 _____ Wattage per foot/meter

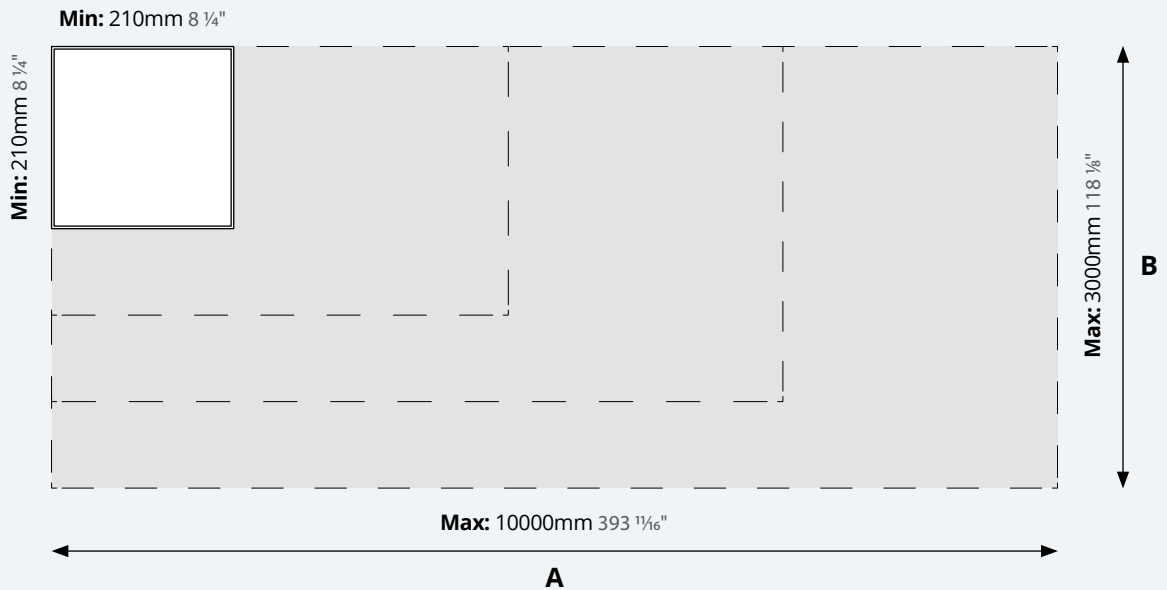


EXAMPLE A5INCA-MOD-SYS-UNV-DN-27K-SUR-mm-1S-ALU

SYSTEM BUILD CODE: A5INCA-MOD-SYS-_____ **qty** _____

| | | | | | |
|-------------------|--|--------------------------------------|----------------------------------|--------------------|--------------------|
| ELECTRICAL | Voltage | Dimming | Circuit | CCT - 90 CRI | |
| | UNV - 120/277V | DN - Non Dim | EMCIR - Emergency Circuit | 27K - 2700K | 57K - 5700K |
| | 120 - 120V | DV - 0-10V (100-1%) | | 30K - 3000K | |
| | 347 - 347V | DD - DALI (100-1%) | | 35K - 3500K | |
| | DP - Phase Dim (Triac/ELV) (Upon Request) | 40K - 4000K | | | |
| | Wattage | Delivered Lumen (lm) | | | |
| Per meter | 20 | to be confirmed at time of quotation | | | |
| Per foot | 6 | | | | |

| | | | | |
|-----------------|---|--|--|---|
| PHYSICAL | Mounting Type | Dimensions | Led Positioning | Finishes |
| | SUR - Surface | Specify in mm (A) _____ X (B) _____ | 1S - 1 Led Side** Long side (A) **(B) max 300mm | Panel frame (4 colors) |
| | SUS - Suspension | Specify in X'-X" (A) _____ X (B) _____ | 2S - 2 Led Sides Long sides (A) 4S - 4 Led Sides Equivalent sides (A=B) | See page 4 for color options and use 3 digit letters to indicate your choices |
| | See Minimum and Maximum Dimensions below. | | | |



| | |
|----------|-------|
| PROJECT | _____ |
| TYPE | _____ |
| NOTES | _____ |
| QUANTITY | _____ |
| DATE | _____ |

SYSTEM SUMMARY

System

Type
Surface
Rated for Dry Locations Ceiling and Wall Mounted

Approval Status
CSA Certified to CSA and UL Standards

Emission
Refer to emission icon beside each light insert and symbol legend for descriptions

Profile

Measurement
max. 10000mm (393 13/16") x max. 3000mm (118 1/8") x w 63mm (2 1/2")

Housing
Aluminum profile built to desired size with laser cut diffuser. Approximate increments of 200mm (7 7/8")
Profiles have a maximum length of 3000mm (9' 10 15/16")

Electrical

Connections
Luminaries are pre-wired by factory and provided with quick release connectors to join multiple profiles

Power Feed
The exit cable's hole standard position, unless otherwise specified, is located on the Panel's left low back.
The power cable's section may change according to the panel's dimension, mounting system and customer request (our technical department will check the absence of voltage drops). The power cables' number may change according to the panel's dimension.

All the LED Panels with >2000 mm size are powered on both ends (end to end) or, upon request close proximity to the profile center, in order to guarantee proper light uniformity.

LED Driver
Driver must be remote with supplied enclosure. Maximum distance between the power supply and the last fixture on the circuit is 30' using a 18-gauge wire. For more than 30', the gauge of the wire must be determined by a certified professional.

Electronic Class 2 driver, Universal 120V/277V Non Dimming Driver, Dimming Driver 0-10V (10-100%) Consult factory for driver cutsheet If a different driver is required, please specify.

Emergency Inverter Compatible
To be installed remotely, and provided by others
It can be located up to 250m away from the fixture

Emergency circuit wiring is available upon request (Isolated track with dedicated driver used for emergency circuit will connect to emergency battery pack - supplied by others)

General

Features
The product is built specifically to optimize the light output on large dimensions. Its external profile has a double purpose: it works as a frame for a better finishing and it supports and anchors, by applying pressure, the canvases where the artwork are printed. Furthermore, beside its high performances, it's simple to operate and to install: replacing the art work is quick and self-explanatory, it doesn't require any particular tool, and the canvas can be placed simply by pressing it into the frame.

Custom Requests and Additional Options
Color temperature, tunable white, LED colors, Wattage per foot/meter.

Must consult factory and allow up to 5 business days for an answer.

Configuration
Consult factory for patterns or custom designs
Provide configuration drawings

*Shop drawings provided upon receiving purchase order

Warranty

ZANEEN provides a limited warranty from date of purchase to original purchaser

LED Inserts: 5 year tested for 50,000 hours at 70% lumen output (L70)
LED Driver: 5 year
Non-Electrical Components: 1 year

*Check boxes to complete specification order and submit to quotes@zaneen.com to receive a formal BOM and a finalized model number

*In a constant effort to supply the best product, we reserve the right to change specifications or materials without notice. The most recent specification sheets are found at zaneen.com

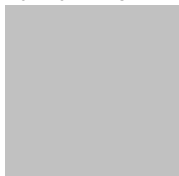
INFINITE CANVAS SURFACE/SUSPENSION SYSTEM SPECIFICATION SHEET

PROJECT _____
TYPE _____
NOTES _____
QUANTITY _____
DATE _____

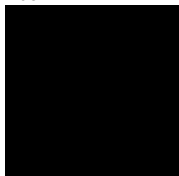
FINISH COLORS



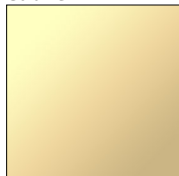
Aluminum - **ALU**



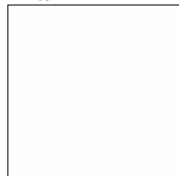
Black - **BLK**



Gold - **GLD**



White - **WHI**



LEGEND

| | | | | | |
|--|---|--|--|--|--|
| | floor-mounted | | pivotal | | special LED (upon request) RGB, RGBW, tunable, gold+, meat+, art+, fashion+ |
| | wall and ceiling: recessed and surface mounted | | rotating | | warm dim / natural dimming LED |
| | ceiling-mounted and wall-mounted | | illuminate tilted | | rechargeable battery powered |
| | wall-mounted | | color of suspension cable | | fixture with natural vivid LED (upon request) |
| | omni-directional light distribution | | length of suspension cable | | color rendering index |
| | direct light distribution | | reflector degree selection | | color temperature |
| | direct/indirect light distribution | | super spot | | lumen (luminous flux) |
| | indirect light distribution | | lens | | efficacy (lumens per watt) |
| | asymmetric light distribution | | lens pack | | Unified Glare Rating (UGR) range from 5-40 |
| | aura light distribution | | shine ring | | marine grade (AISI 316 stainless steel) |
| | round wall or ceiling cut-out | | integrated shine ring with diffuser | | walk on |
| | square wall or ceiling cut-out | | free individual colors 01-29 | | drive on |
| | the supplied jig specifies the cutout dimensions | | individual colors: 00 (free of charge), 01-25 (extra charge) | | Dark Sky Compliance |
| | minimum distance (meters) lamp - object | | luminaire part to be colored (F1) | | Americans with Disabilities Act (less than 4" off the wall located between 27"-84" from floor) |
| | recessed depth | | luminaire part to be colored (F2) | | lamp protected against explosion |
| | ceiling thickness in mm | | luminaire part to be colored (F3) | | blown glass using traditional methods by master glass blower |
| | ceiling thickness selection | | luminaire part to be colored (F4) | | acoustic material |
| | dimmable DP (phase), DV (0-10V), DD (dali), DS (step-dim) | | luminaire part to be colored (F5) | | protection class I, protection insulation |
| | included or excluded LED driver/transformer/control gear | | color of 3-circuit adaptor | | protection class II, protection insulation |
| | separately switchable | | indirect diffuser | | ETL Certified to UL and CSA Standards |
| | sensor | | direct diffuser | | UL Certified to UL and CSA Standards |
| | remote control | | ball-proof (upon request) | | CSA Certified to UL and CSA Standards |
| | available upon request | | accessory | | Certified for North American Standards |

IP RATING

| | |
|--|--|
| | protected against ingress of solid bodies greater than 12.5mm (finger) |
| | protected against ingress of solid bodies greater than 2.5mm protected against sprays of water up to 60 degrees from the vertical (rain) |
| | protected against ingress of solid bodies greater than 1mm (wire) no protection against the ingress of moisture |
| | protected against ingress of solid bodies greater than 1mm (wire) protected against sprays of water up to 60 degrees from the vertical (rain) |
| | protected against ingress of solid bodies greater than 1mm (wire) protected against water splashed from all directions |
| | protected against limited ingress of dust (wet rooms/covered outdoor areas) protected against water splashed from all directions |
| | protected against ingress of dust protected against jets of water |
| | protected against ingress of dust protected against powerful jets of water or heavy seas |
| | protected against ingress of dust protected against immersion of water between 15cm - 1m for 30 minutes |
| | protected against ingress of dust protected against immersion of water under pressure for long periods |

IK RATING

| | |
|--|---|
| | protected against 0.14 joules impact (equivalent to 0.25kg mass dropped from 56mm above the surface) |
| | protected against 0.2 joules impact (equivalent to 0.25kg mass dropped from 80mm above the surface) |
| | protected against 0.35 joules impact (equivalent to 0.25kg mass dropped from 140mm above the surface) |
| | protected against 0.5 joules impact (equivalent to 0.25kg mass dropped from 200mm above the surface) |
| | protected against 0.7 joules impact (equivalent to 0.25kg mass dropped from 280mm above the surface) |
| | protected against 1 joules impact (equivalent to 0.25kg mass dropped from 400mm above the surface) |
| | protected against 2 joules impact (equivalent to 0.5kg mass dropped from 400mm above the surface) |
| | protected against 5 joules impact (equivalent to 1.7kg mass dropped from 300mm above the surface) |
| | protected against 10 joules impact (equivalent to 5.0kg mass dropped from 200mm above the surface) |
| | protected against 20 joules impact (equivalent to 5.0kg mass dropped from 400mm above the surface) |

| | |
|----------|-------|
| PROJECT | _____ |
| TYPE | _____ |
| NOTES | _____ |
| QUANTITY | _____ |
| DATE | _____ |

WIRING DIAGRAMS

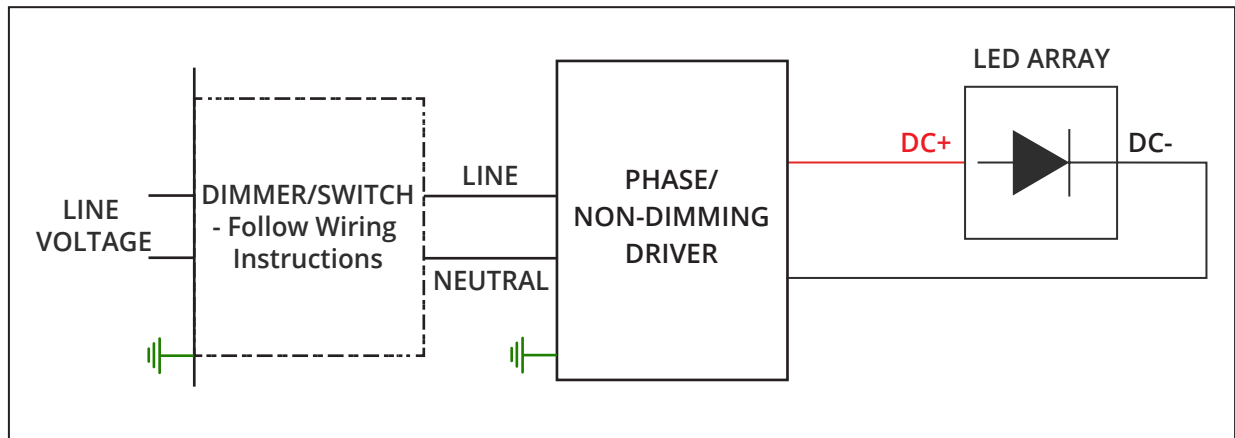
ALL ZANEEN FIXTURES ARE MANUFACTURED TO NORTH AMERICAN ELECTRICAL STANDARDS

Post Sales Support
 HQ 1-800-388-3382 X 625 support@zaneen.com

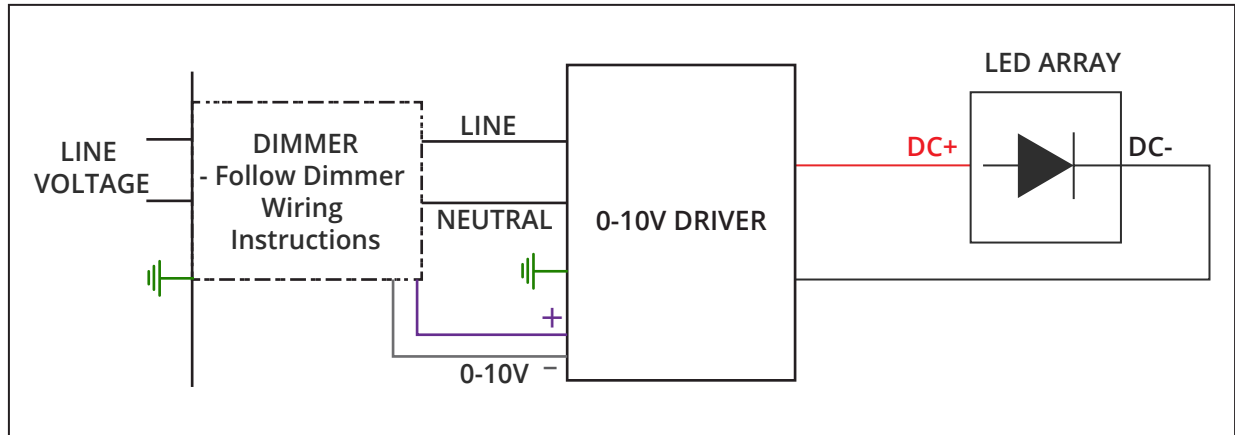
IMPORTANT

- Do NOT connect directly to line voltage
- There is a minimum and maximum load per driver (See fixture and driver specifications).
- Fixture MUST be connected to LED driver, prior to turning power on

PHASE/NON-DIMMING WIRING DIAGRAM



0-10V DIMMING WIRING DIAGRAM



INFINITE CANVAS SURFACE/SUSPENSION SYSTEM SPECIFICATION SHEET

| | |
|----------|-------|
| PROJECT | _____ |
| TYPE | _____ |
| NOTES | _____ |
| QUANTITY | _____ |
| DATE | _____ |

Insert custom drawing here or attach with additional pages

