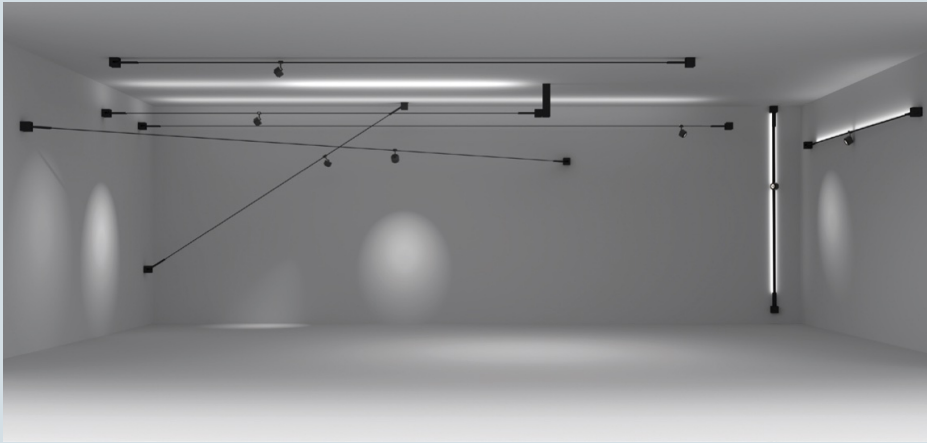


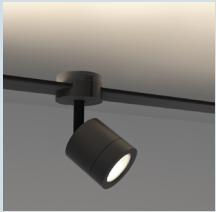
LEVEL MODULAR SYSTEM SPECIFICATION SHEET

PROJECT	_____
TYPE	_____
NOTES	_____
QUANTITY	_____
DATE	_____

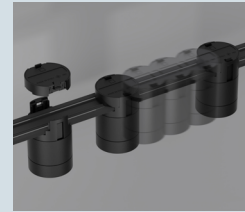


ARCHITECTURAL | LEVEL

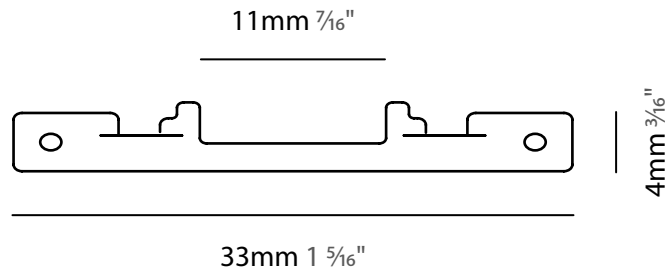
LEVEL combines the lightness of a cable system with the functionality of a track, creating a new way to think about light. It is a cable system that integrates into lighting projects with its ability to respond to the demands of architectural design. Its flexibility translates to many benefits including easy transportation and the ability to cut to size, as well as the simplicity and ease of installation on-site. Level offers endless design opportunities thanks to its ability to be mounted on a wall or ceiling and with its two internal steel tensioning cables that allow you to make stretches up to 10m (32.8 feet) in length and 180° rotations.



Level is also available with additional light sources, that can be added or moved at any time thanks to a quick coupling device. The Level STUDIO can be rotated up to 90° on both sides, allowing lateral lighting of the environment.



SYSTEM PROFILE



LEVEL MODULAR SYSTEM SPECIFICATION SHEET

PROJECT _____
 TYPE _____
 NOTES _____
 QUANTITY _____
 DATE _____

SYSTEM GUIDE

To make your product selection and complete system specification, proceed with the following:
 review system options, create your system code in the field below and include your quantity.
 For the inserts and components, use the field beside each product name.
 Submit to quotes@zaneen.com to receive a formal BOM and finalized model numbers.



UPON REQUEST
 Additional Options _____
 _____ Color Temperature
 _____ Lumen Output/Wattages
 _____ Special Inserts

EXAMPLE A7LEVEL-MOD-SYS-UNV-DN-1'-mm-BLK-BLK-BLK-BLK

SYSTEM BUILD CODE: A7LEVEL-MOD-SYS- qty

ELECTRICAL	Voltage	Dimming	Circuit
	UNV - 120/277V	DN - Non Dim	EMCIR - Emergency Circuit
	120 - 120V	DV - 0-10V (100-1%)	
	347 - 347V	DD - DALI (100-1%)	

LAYOUT	Fixture Head Spacing	Length*	Profile Finish
	1' - on center 2' - on center 4' - on center CUS (XX) - Custom	Specify in mm _____ Specify in X'-X" _____	Profile _____ (3 options, use 3 digits letters below) Black - BLK White - WHI Transparent - TRA
	System Finishes See page 8 for color options and use 3 digit letters to indicate your choices		
	Cube Fixing <input type="checkbox"/> _____ 	Wire Support <input type="checkbox"/> _____ 	Power Feed <input type="checkbox"/> _____ (2 colors - BLK/WHI)

*The closest possible length will be provided based on the standard modular lengths available (5000mm 196 7/8", 10000mm 393 1/4").

INSERTS	LEVEL MINI	INSERT BUILD CODE EXAMPLE: A7T00032-DN-27K-BLK		FINISHES OPTIONS: See page 8 for color options and use 3 digit letters to indicate your choices	
	MINI ADJUSTED	A7T00032-			qty
	Wattage: 11.2W	Dimming	CCT - 97 CRI	Finish	Delivered Lumen (lm)
		DN - Non Dim DV - 0-10V	27K - 2700K 30K - 3000K	<input type="checkbox"/> _____ (2 colors)	2700K 728 3000K 770

PROJECT	_____
TYPE	_____
NOTES	_____
QUANTITY	_____
DATE	_____

LEVEL MINI

FINISHES OPTIONS:

See page 8 for color options and use 3 digit letters to indicate your choices

INSERTS

MINI FIXED	A7T00033-			qty	
Wattage: 11.2W	Dimming	CCT - 97 CRI	Finish	Delivered Lumen (lm)	
	DN - Non Dim	27K -2700K	◆ — (2 colors)	2700K	728
	DV - 0-10V	30K - 3000K		3000K	770

ACCESSORY

MINI SUSPENSION	A7T00035-			qty	
Wattage: 11.2W	Dimming	CCT - 97 CRI	Finish	Delivered Lumen (lm)	
	DN - Non Dim	27K -2700K	◆ — (2 colors)	2700K	728
	DV - 0-10V	30K - 3000K		3000K	770

MINI LENS	A7900058-	qty
Beamwidth		
20 - 20°		
40 - 40°		
60 - 60°		

INSERTS

MINI FIXED DIFFUSER	A7T00034-			qty		
Wattage: 11.2W	Dimming	CCT - 97 CRI	Finish	Notes	Delivered Lumen (lm)	
	DN - Non Dim	27K -2700K	◆ — (2 colors)	The mini lens accessory is not used with the fixed diffuser option.	2700K	728
	DV - 0-10V	30K - 3000K			3000K	770

LEVEL STUDIO - Coming soon

STUDIO 490	A7xxxxxx-			qty	
Wattage: 9W	Dimming	CCT - 90 CRI	Finish	Delivered Lumen (lm)	
	DN - Non Dim	27K -2700K	◆ — (2 colors)	2700K	800
	DV - 0-10V	30K - 3000K		3000K	850

PROJECT	_____
TYPE	_____
NOTES	_____
QUANTITY	_____
DATE	_____

LEVEL STUDIO - Coming soon

FINISHES OPTIONS:

See page 8 for color options and use 3 digit letters to indicate your choices

INSERTS

STUDIO 770		A7xxxxxx-			qty	
Wattage: 18W		Dimming	CCT - 90 CRI	Finish	Delivered Lumen (lm)	
	DN - Non Dim DV - 0-10V	27K -2700K 30K - 3000K	◆ ____ (2 colors)	2700K	1600	
				3000K	1700	
STUDIO DARK 490		A7xxxxxx-			qty	
Wattage: 9W		Dimming	CCT - 90 CRI	Finish	Delivered Lumen (lm)	
	DN - Non Dim DV - 0-10V	27K -2700K 30K - 3000K	◆ ____ (2 colors)	2700K	700	
				3000K	750	
STUDIO DARK 770		A7xxxxxx-			qty	
Wattage: 18W		Dimming	CCT - 90 CRI	Finish	Delivered Lumen (lm)	
	DN - Non Dim DV - 0-10V	27K -2700K 30K - 3000K	◆ ____ (2 colors)	2700K	1400	
				3000K	1500	
STUDIO SUSPENSION		A7xxxxxx-			qty	
Wattage: 27W		Dimming	CCT - 90 CRI	Finish	Delivered Lumen (lm)	
	DN - Non Dim DV - 0-10V	27K -2700K 30K - 3000K	◆ ____ (2 colors)	2700K	2400	
				3000K	2550	
STUDIO DARK SUSPENSION		A7xxxxxx-			qty	
Wattage: 27W		Dimming	CCT - 90 CRI	Finish	Delivered Lumen (lm)	
	DN - Non Dim DV - 0-10V	27K -2700K 30K - 3000K	◆ ____ (2 colors)	2700K	2100	
				3000K	2250	

PROJECT	_____
TYPE	_____
NOTES	_____
QUANTITY	_____
DATE	_____

LEVEL ZOOM

FINISHES OPTIONS:

See page 8 for color options and use 3 digit letters to indicate your choices

INSERTS

ZOOM ADJUSTABLE	A7T00029-			qty	
Wattage: 16.5W	Dimming	CCT - 97 CRI	Finish	Delivered Lumen (lm)	
	DN - Non Dim	27K -2700K	◆ _____ (2 colors)	ADJUSTABLE OPTIC 12°- 46°	
	DV - 0-10V	30K - 3000K		2700K	831
				3000K	878

ZOOM FIXED	A7T00030-			qty	
Wattage: 16.5W	Dimming	CCT - 97 CRI	Finish	Delivered Lumen (lm)	
	DN - Non Dim	27K -2700K	◆ _____ (2 colors)	ADJUSTABLE OPTIC 12°- 46°	
	DV - 0-10V	30K - 3000K		2700K	831
				3000K	878

ZOOM SUSPENSION	A7T00031-			qty	
Wattage: 16.5W	Dimming	CCT - 97 CRI	Finish	Delivered Lumen (lm)	
	DN - Non Dim	27K -2700K	◆ _____ (2 colors)	ADJUSTABLE OPTIC 12°- 46°	
	DV - 0-10V	30K - 3000K		2700K	831
				3000K	878

LED STRIP

LED STRIP 5000	A7900052-			qty	
Wattage: 13W/m	Dimming	CCT - 80 CRI	Notes	Delivered Lumen (lm)	
	DN - Non Dim	27K -2700K	Fixing to the cable using integrated double-sided tape. Cable Not Included. Cutttable to size every 71.5mm. 196 LED/m.	2700K	1430/m
	DV - 0-10V	30K - 3000K		3000K	1510/m

LED STRIP 10000	A7900053-			qty	
Wattage: 13W/m	Dimming	CCT - 80 CRI	Notes	Delivered Lumen (lm)	
	DN - Non Dim	27K -2700K	Fixing to the cable using integrated double-sided tape. Cable Not Included. Cutttable to size every 71.5mm. 196 LED/m.	2700K	1430/m
	DV - 0-10V	30K - 3000K		3000K	1510/m

PROJECT _____

TYPE _____

NOTES _____

QUANTITY _____

DATE _____

FINISHES OPTIONS:

See page 8 for color options and use 3 digit letters to indicate your choices

COMPONENTS

CEILING SPACER	A7900057-	qty
	<p>Finish</p> <p>◆ _____</p> <p>(2 colors)</p>	<p>Description</p> <p>The ceiling spacer allows for correct spacing from ceiling with the indirect LED strip.</p>

PROJECT	_____
TYPE	_____
NOTES	_____
QUANTITY	_____
DATE	_____

SYSTEM SUMMARY

System

Type

Suspension
Rated for Dry Locations Ceiling and Wall Mounted

Approval Status

Certified to North American Standards

Emission

Refer to emission icon beside each light insert and symbol legend for descriptions

Profile

Measurement

w 33mm (1 3/16") x ht. 4mm (3/16")

Cable

PVC cable, nickel-plated copper conductors, steel cables. Packaging includes an additional meter of cable to facilitate the installation phase. Maximum allowed length is 10 meters (32' 9 1/16")

Indirect Strip LED is fixed to the cable using integrated double-sided tape - cuttable to size every 71.5mm (2 13/16") and joined together with couplers to ensure Installations from wall to wall require reinforced supports behind drywall. Maximum load of the lighting fixtures are 3.5 Kg.

Electrical

Connections

Luminaries are pre-wired by factory

Power Feed

Located within cube ceiling and wall fixing or central power feed.

3 Wires - non-dimming or phase dimming

4 Wires - two circuits of non-dimming or phase dimming

5 Wires - 0-10V dimming or dali dimming

LED Driver

Located in a remote location with enclosure

Electronic Class 2 driver, Universal 120V/277V

Drivers have a maximum load of 100W (48V).

Non Dimming Driver, 0-10V Dimming, Dali Dimming.

Consult factory for driver cutsheet

If a different driver is required, please specify

Emergency Inverter Compatible

To be installed remotely, and provided by others

It can be located up to 250m away from the fixture

Emergency circuit wiring is available upon request (Isolated track with dedicated driver used for emergency circuit will connect to emergency battery pack - supplied by others)

General

Features

The Level light sources can be moved and added at will, with extreme simplicity, through the snap fastening system.

Zoom adjustable optics from 12 to 46 degrees for the best adaptation of the light effect - just by turning the outer ring.

Custom Requests and Additional Options

Availability depends by insert, system, and configuration

Must consult factory and allow up to 5 business days for an answer

Special beam angles, special finish colors, light inserts with different outputs

Configuration

Consult factory for patterns or custom designs

Provide configuration drawings

*Shop drawings provided upon receiving purchase order

Warranty

ZANEEN provides a limited warranty from date of purchase to original purchaser

LED Inserts: 5 year tested for 50,000 hours at 70% lumen output (L70)

LED Driver: 5 year

Non-Electrical Components: 1 year

*Check boxes to complete specification order and submit to quotes@zaneen.com to receive a formal BOM and a finalized model number

*In a constant effort to supply the best product, we reserve the right to change specifications or materials without notice. The most recent specification sheets are found at zaneen.com

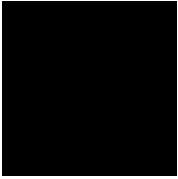
LEVEL MODULAR SYSTEM SPECIFICATION SHEET

PROJECT _____
TYPE _____
NOTES _____
QUANTITY _____
DATE _____

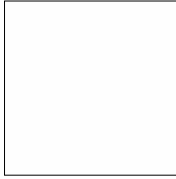
FINISH COLORS



Black - **BLK**



White - **WHI**



LEGEND

	floor-mounted		pivotal		special LED (upon request) RGB, RGBW, tunable, gold+, meat+, art+, fashion+
	wall and ceiling: recessed and surface mounted		rotating		warm dim / natural dimming LED
	ceiling-mounted and wall-mounted		illuminate tilted		rechargeable battery powered
	wall-mounted		color of suspension cable		fixture with natural vivid LED (upon request)
	omni-directional light distribution		length of suspension cable		color rendering index
	direct light distribution		reflector degree selection		color temperature
	direct/indirect light distribution		super spot		lumen (luminous flux)
	indirect light distribution		lens		efficacy (lumens per watt)
	asymmetric light distribution		lens pack		Unified Glare Rating (UGR) range from 5-40
	aura light distribution		shine ring		marine grade (AISI 316 stainless steel)
	round wall or ceiling cut-out		integrated shine ring with diffuser		walk on
	square wall or ceiling cut-out		free individual colors 01-29		drive on
	the supplied jig specifies the cutout dimensions		individual colors: 00 (free of charge), 01-25 (extra charge)		Dark Sky Compliance
	minimum distance (meters) lamp - object		luminaire part to be colored (F1)		Americans with Disabilities Act (less than 4" off the wall located between 27"-84" from floor)
	recessed depth		luminaire part to be colored (F2)		lamp protected against explosion
	ceiling thickness in mm		luminaire part to be colored (F3)		blown glass using traditional methods by master glass blower
	ceiling thickness selection		luminaire part to be colored (F4)		acoustic material
	dimmable DP (phase), DV (0-10V), DD (dali), DS (step-dim)		luminaire part to be colored (F5)		protection class I, protection insulation
	included or excluded LED driver/transformer/control gear		color of 3-circuit adaptor		protection class II, protection insulation
	separately switchable		indirect diffuser		ETL Certified to UL and CSA Standards
	sensor		direct diffuser		UL Certified to UL and CSA Standards
	remote control		ball-proof (upon request)		CSA Certified to UL and CSA Standards
	available upon request		accessory		Certified for North American Standards

IP RATING

	protected against ingress of solid bodies greater than 12.5mm (finger)
	protected against ingress of solid bodies greater than 2.5mm protected against sprays of water up to 60 degrees from the vertical (rain)
	protected against ingress of solid bodies greater than 1mm (wire) no protection against the ingress of moisture
	protected against ingress of solid bodies greater than 1mm (wire) protected against sprays of water up to 60 degrees from the vertical (rain)
	protected against ingress of solid bodies greater than 1mm (wire) protected against water splashed from all directions
	protected against limited ingress of dust (wet rooms/covered outdoor areas) protected against water splashed from all directions
	protected against ingress of dust protected against jets of water
	protected against ingress of dust protected against powerful jets of water or heavy seas
	protected against ingress of dust protected against immersion of water between 15cm - 1m for 30 minutes
	protected against ingress of dust protected against immersion of water under pressure for long periods

IK RATING

	protected against 0.14 joules impact (equivalent to 0.25kg mass dropped from 56mm above the surface)
	protected against 0.2 joules impact (equivalent to 0.25kg mass dropped from 80mm above the surface)
	protected against 0.35 joules impact (equivalent to 0.25kg mass dropped from 140mm above the surface)
	protected against 0.5 joules impact (equivalent to 0.25kg mass dropped from 200mm above the surface)
	protected against 0.7 joules impact (equivalent to 0.25kg mass dropped from 280mm above the surface)
	protected against 1 joules impact (equivalent to 0.25kg mass dropped from 400mm above the surface)
	protected against 2 joules impact (equivalent to 0.5kg mass dropped from 400mm above the surface)
	protected against 5 joules impact (equivalent to 1.7kg mass dropped from 300mm above the surface)
	protected against 10 joules impact (equivalent to 5.0kg mass dropped from 200mm above the surface)
	protected against 20 joules impact (equivalent to 5.0kg mass dropped from 400mm above the surface)

WIRING DIAGRAMS

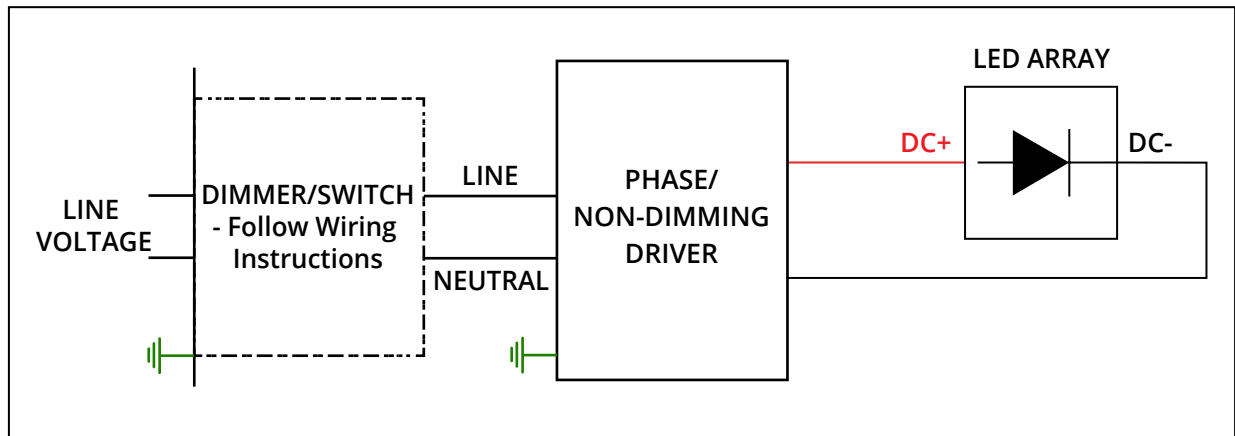
ALL ZANEEN FIXTURES ARE MANUFACTURED TO NORTH AMERICAN ELECTRICAL STANDARDS

Post Sales Support
HQ 1-800-388-3382 X 625 support@zaneen.com

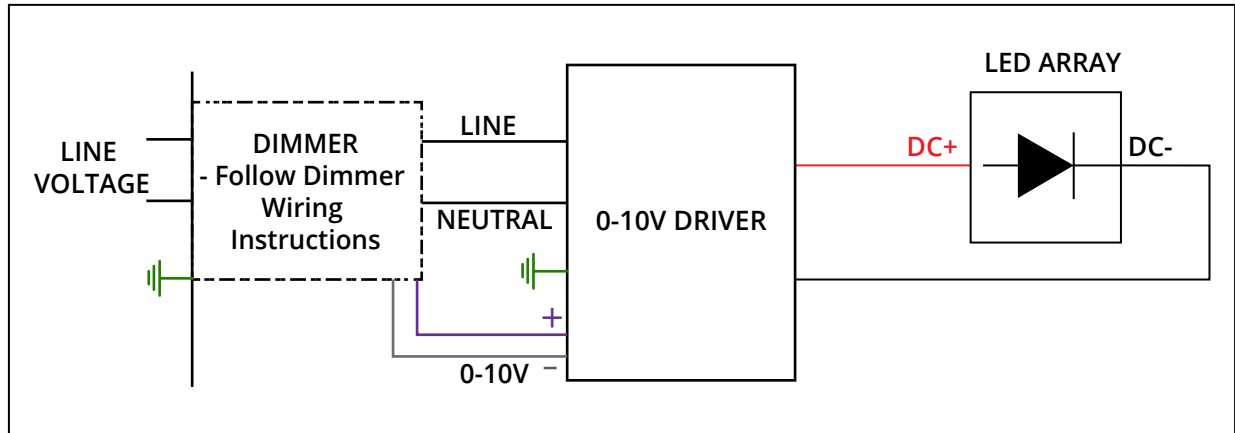
IMPORTANT

- Do NOT connect directly to line voltage
- There is a minimum and maximum load per driver (See fixture and driver specifications).
- Fixture MUST be connected to LED driver, prior to turning power on

PHASE/NON-DIMMING WIRING DIAGRAM



0-10V DIMMING WIRING DIAGRAM



PROJECT	_____
TYPE	_____
NOTES	_____
QUANTITY	_____
DATE	_____

Insert custom drawing here or attach with additional pages

