




IP 20



WARNING

- 1) The WEEE symbol used for this product indicates that it must be disposed of separately from mixed general municipal waste. Therefore, it is necessary to inquire about the methods of disposal from the competent local authorities. 
- 2) WARNING! The safety of the system is guaranteed only with the proper use of the following instructions, therefore you must keep them.
- 3) WARNING! To limit the risk of overheating and fire, do not short-circuit the conductors.
- 4) The installation, maintenance and adjustment of the system are allowed only to qualified technical personnel, and must be carried out in compliance with the plant and safety requirements in force in the country where the system is installed.
- 5) Connect to the power supply line with a rated voltage of 48V. Compliance with the standard is only guaranteed by using safety transformers that comply with UL/ CSA standard.
- 6) Before carrying out any work on the system, make sure you have disconnected the mains voltage.
- 7) The system cannot be used before being completed in all its parts that guarantee protection from electric shock.
- 8) The manufacturer is not responsible for damage caused by incorrect installation or improper use of the system.
- 9) The system is for indoor use, the degree of protection is IP20; it is protected against medium-type impacts (2J); the system is suitable for environmental pollution degree 2 of the standard and related notes (the environment produces only non-conductive pollution, however the presence of temporary conductivity caused by condensation is occasionally allowed).
- 10) For the installation of 48V power supplies and light sources, refer to the dedicated instruction sheets.
- 11) The system is suitable for accepting only original LETROH electrical devices and accessories relating to the LEVEL system; the system is not suitable for receiving adapters for other brands of track systems.
- 12) Periodically it is necessary to check the correct tightening of the screws.
- 13) The material used to fix the system must comply with building regulations. Secure the system with anchors of adequate capacity; the anchors must be fixed to sufficiently sturdy supports.
- 14) For cleaning use only a dry cloth; if necessary, disconnect the system from the power supply and use a slightly damp cloth. Do not spray liquids of any kind directly on the system.

NOMINAL VALUES

Rated voltage / 48V dc—MAX 100W

Operating ambient temperature / -5+ 40 ° C (average temperature in 24h max 35 ° C)

Storage ambient temperature / -10 + + 60 ° C

Impact resistance: medium impact (2J)

Pollution category: 2

Degree of protection: IP20

Max installation altitude: 2000m—Reference standard IEC 598-2-23 (as applicable)

WARNING

Proper Installation Required:

Installers are responsible for verifying that the mounting surface is structurally strong enough to install our LEVEL cable system, properly.

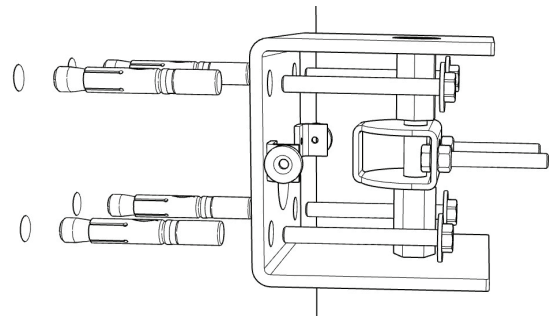
The Level system must be installed on a **reinforced structural surface** and **cannot** be mounted directly to unsupported drywall.

Failure to do so may result in the cable sagging, and effectively compromising the performance of the Level cable system.

Recommendation: Ensure that all mounting points are secured to a structural support; such as wood studs, metal framing, or concrete.

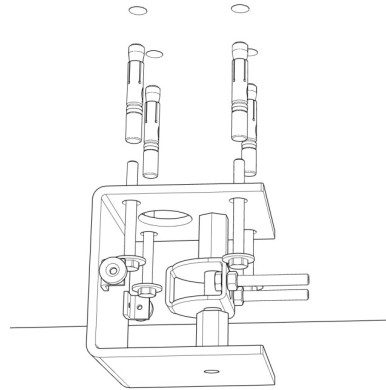
1

Install wall mount fixing. Choose the screw and the plug according to the type of wall.



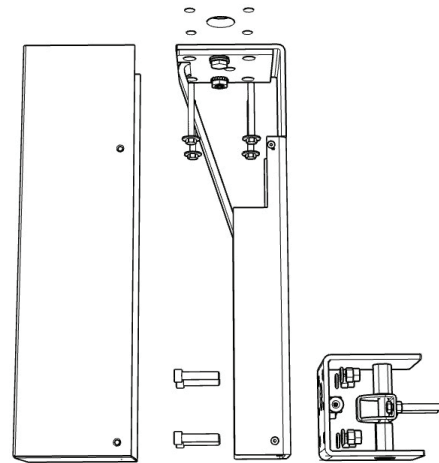
2a

Install ceiling mount fixing. Choose the screw and the plug according to the type of ceiling.

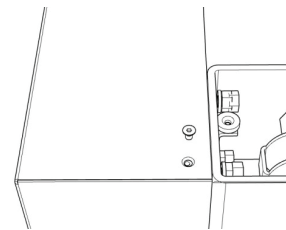


2b

If necessary, install ceiling mount fixing with spacer. Choose the screw and the plug according to the type of ceiling.

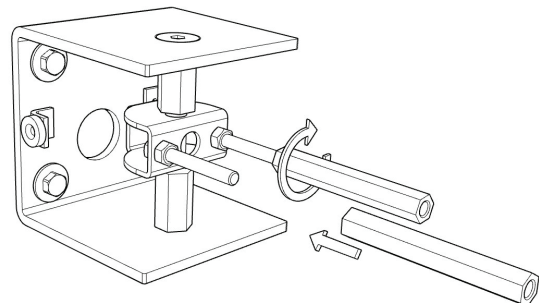


Tighten the screws for fixing the cover.



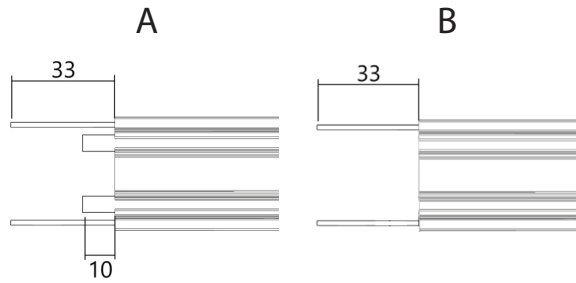
3

Assemble the connectors. Rotate a couple of turns clockwise.



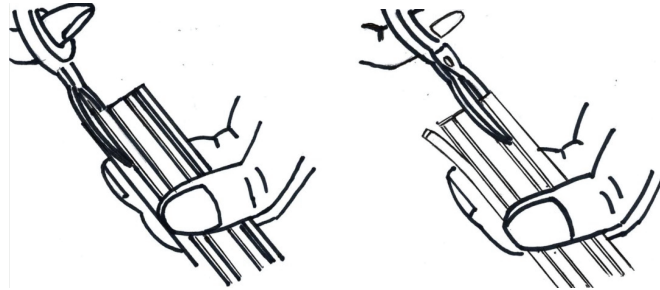
4

Cut the cable according to the dimensions indicated. A = side to be connected to the driver / B = side not to be connected to the driver.



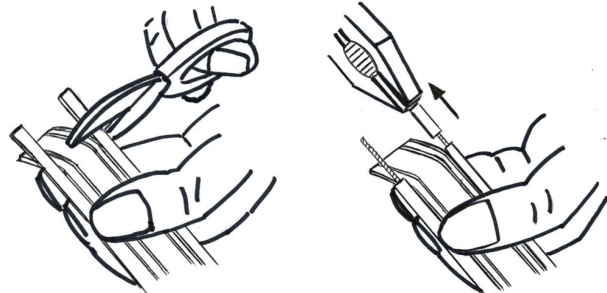
4a

Cut following the line on the cable.



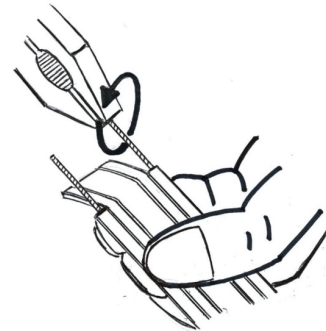
4b

Score the sheath and pull with pliers.



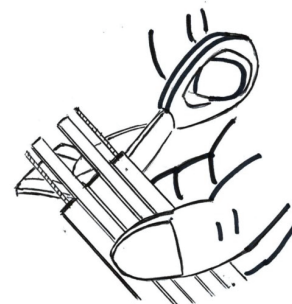
4c

If the rope does not appear compact, re-assemble it using pliers, turning it in the winding direction.



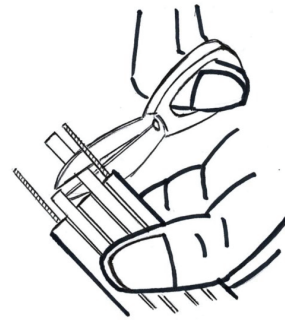
4d

Cut the sheath as shown in the figure.



4e

Shorten the conductors, (if it is the side where there is no power, cut them completely). Check that the remaining part of the conductors, at the end of the cuts, are well inserted into the sheath.



4f

ATTENTION: Multiple Circuits

In cases where the track includes more than one circuit, carefully pull the conductors out of the sheath and cut the conductor to separate the line into two circuits.

Repeat this for each separate circuit planned along the track.

If the circuit is in the middle of the track and separated from the two track end power feeds, you must provide a central power feed component for the circuit.

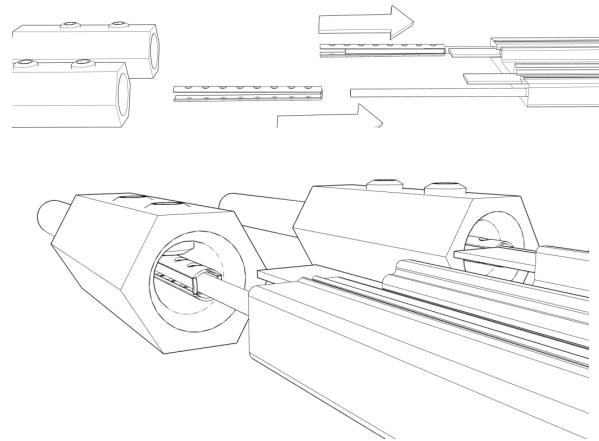
Do not cut the sheath for circuit separation.



5

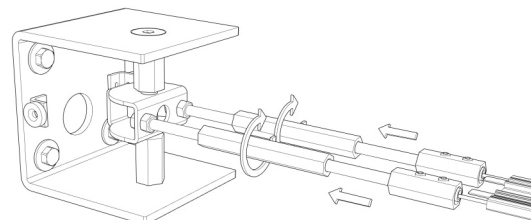
ATTENTION: VERY IMPORTANT!

Insert the ferrules into the ropes and insert everything into the rope clips, making sure that the grains point to their flat parts.



6

Bring the ropes into contact with the tubes and begin to rotate the latter to join the parts. In case of using the LED strip, fix it to the cable only after having finished tensioning.



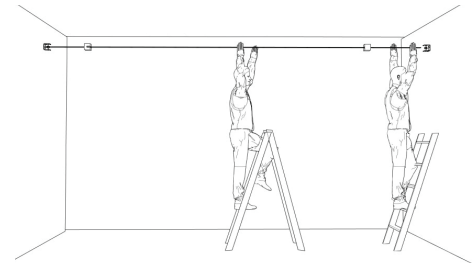
7

Insert the two covers on the cable before hooking the second side. In some cases, when holding the cable at an angle to the right or left, it may be necessary to insert the cover in its final position before starting the final tension through the wire clips.



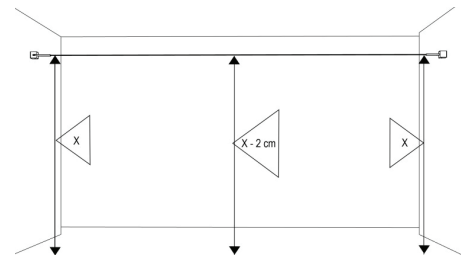
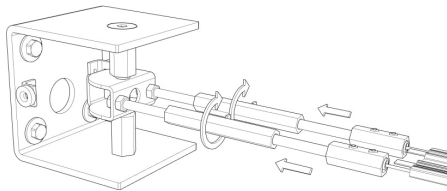
8

Pull the cable to the second fixing point. Remember to put both covers on the attachment before connecting the cable to the second side.



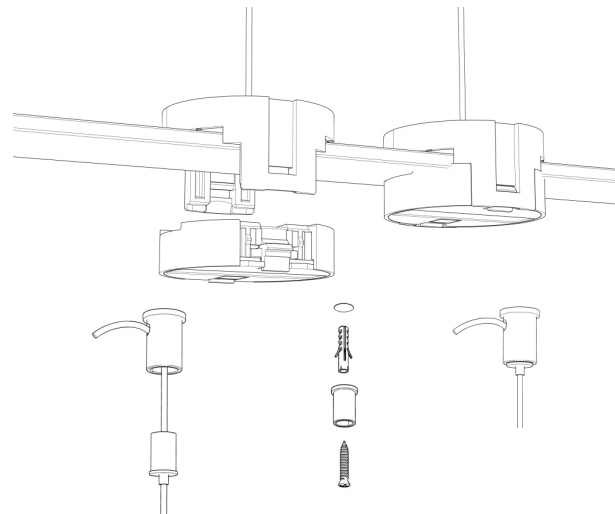
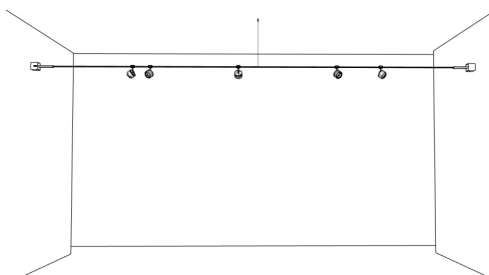
9

Rotate the connectors alternately (2 turns each at a time), holding the rope holder still. Stretch the cable up to 2 cm of deflection measured in the center of the installation with respect to the height of the attachment.



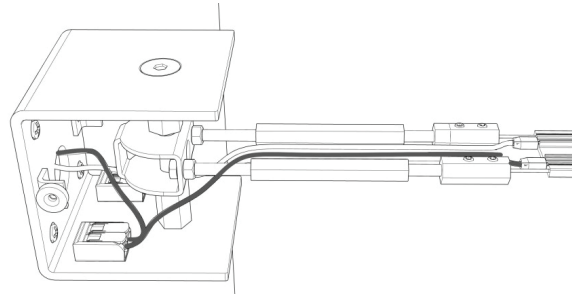
10

Light sources up to a maximum of 2.5 kg can be mounted. Use support L7900054- to reduce any bending.



11

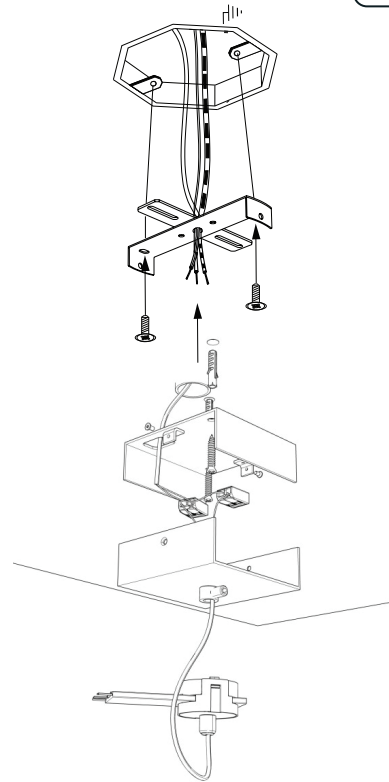
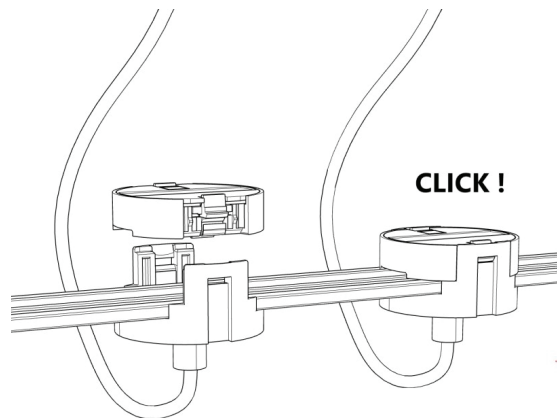
48V—MAX 82W power connection (use the two elec connectors present in the package).



12

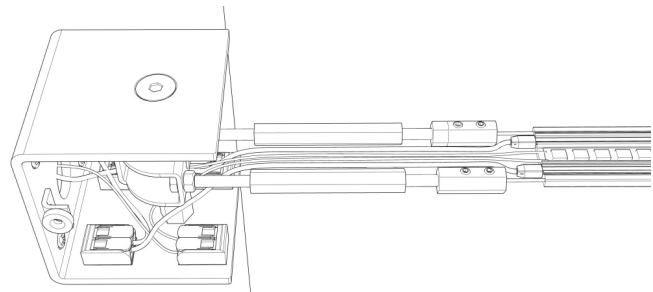
48V connection with central power supply (limit 82W MAX). Tighten the dowels of the cable clamps after adjusting the desired length of the cable.

Attention !
Do not plug in or unplug the connector when power is on!
120V 50/60HZ



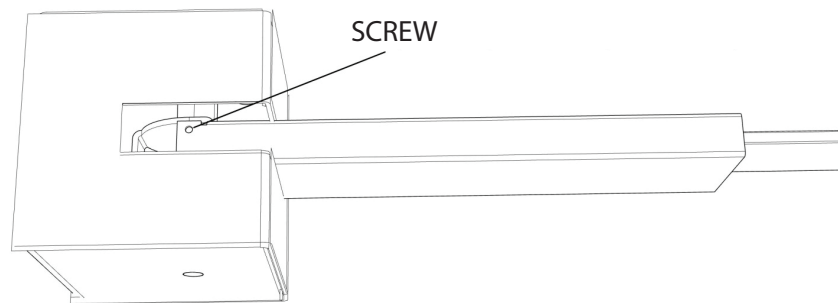
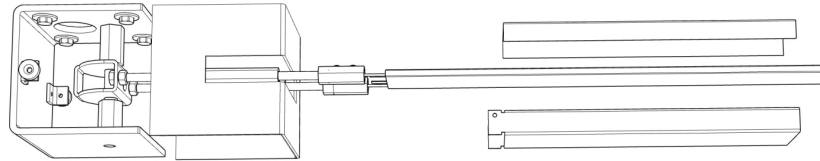
13

Strip LED connection and 48V 82W MAX power connection (use the two electrical connectors present in the package).



14

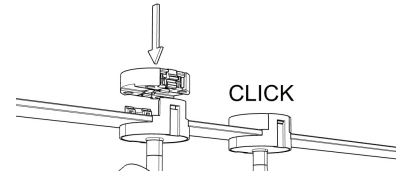
Attach cover and tensioner covers and tighten the screw. Check that the conductors on the cable are well inserted in the sheath.



Zoom Spot

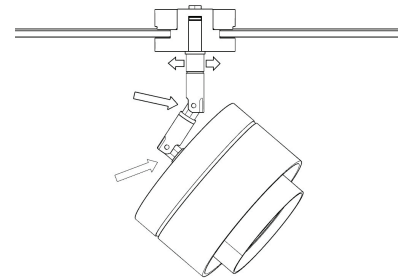
1

Connect the source to the cable with the system not powered.
If the LED does not light up, reverse the position of the source.



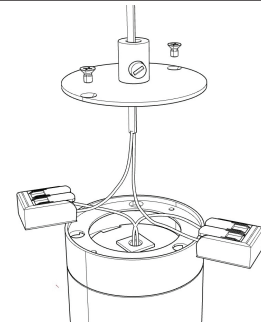
2

Adjust the balance (only for adjustable Zoom)



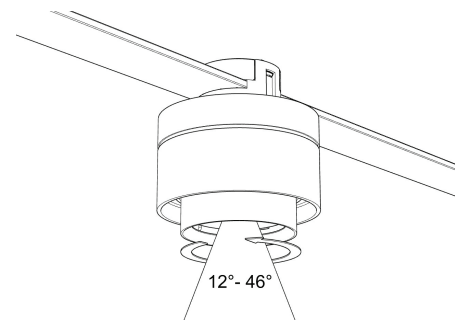
3

Adjust the length of the cable.
Strip the coaxial cable for connection
(the external core represents one pole and
the internal cable the second pole).
Connect the connectors, fix the cable clamp
and tighten the screws (only for Zoom suspension).



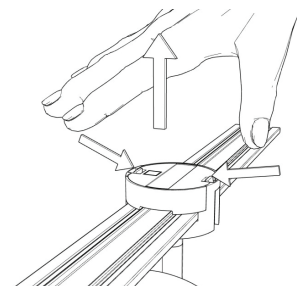
4

Adjust the light beam



5

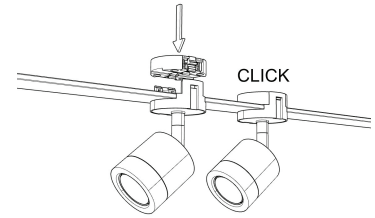
How to disconnect from the cable



Mini Spot

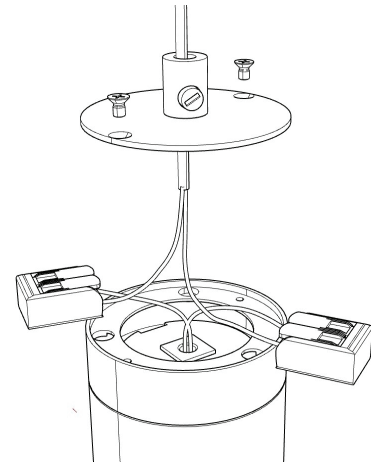
1

Connect the source to the cable with the system not powered.
If the LED does not light up, reverse the position of the source.



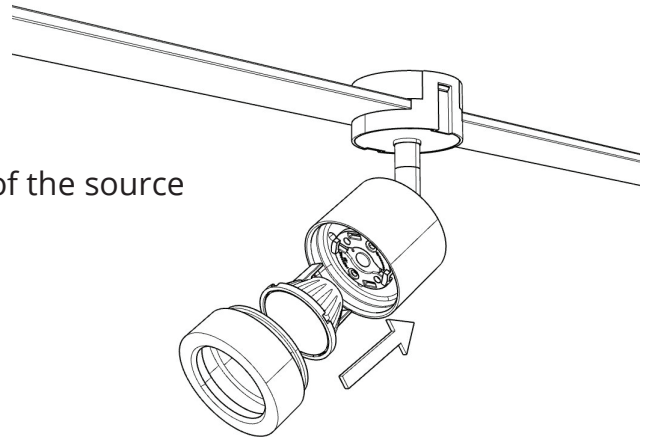
2

Adjust the length of the cable.
Strip the coaxial cable for connection
(the external core represents one pole and
the internal cable the second pole).
Connect the connectors, fix the cable clamp
and tighten the screws (only for Zoom suspension).



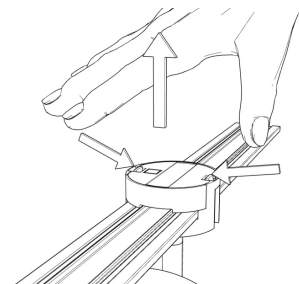
3

Insert the optics and adjust the orientation of the source
(only adjustable Mini).



5

How to disconnect from the cable



Post Sales Support

HQ 1-800-388-3382 support@zaneen.com



EN

- Installation and electrification must be carried out by a qualified electrician, only.
- Observe all relevant building codes and regulations.
- Prior to installation or repair: disconnect power; it is the installer's responsibility to ensure for all electrical, mechanical and thermal compatibility.
- The LED light source contained in this fixture shall only be replaced by Zaneen, or a person approved by Zaneen.
- Recommendations: Keep the instruction sheet(s) in the event of maintenance and/or disassembly.

Access detailed spec sheets from www.zaneen.com

FR

- L'installation et l'électrification doivent être effectuées uniquement par un électricien qualifié.
- Respectez tous les codes du bâtiment et réglementations en vigueur.
- Avant l'installation ou la réparation: débranchez l'alimentation électrique; Il incombe à l'installateur des'assurer de la compatibilité électrique, mécanique et thermique.
- La source de lumière LED contenue dans ce luminaire ne doit être remplacée que par Zaneen, ou une personne approuvée par Zaneen.
- Recommandations: Conservez la (les) fiche (s) d'instructions en cas de maintenance et / ou de démontage

Accéder aux fiches techniques détaillées sur www.zaneen.com

Disclaimer: Applicable only when Zaneen's lighting fixtures are properly installed on correct line voltage, and under normal conditions of use.

Zaneen Warranties are itemized below:

- All products to be free from defect in materials and workmanship: 1 Year (12 months) Limited Warranty from the invoice date (excluding lamps)
- LED engines and Power Supplies: 5 Years Limited Warranty from the invoice date.
- Transformers and Ballast Warranty: 3 years Limited Warranty from the invoice date.
- Purchaser's sole recourse after the warranty period, for defective power supplies, ballasts or other components manufactured by a third party, is against such third-party manufacturer.

Warranty claims regarding the product(s) must be submitted in writing within 30 days, of discovery of the defect.

Zaneen uses only electrical components, which are produced by responsible manufacturers. Components that may fail in service within the warranty period, under normal use, will be replaced at no charge.

Zaneen will not assume labour or transportation charges in connection with replacement of such parts, nor for removal or re-installation of equipment or parts, nor for consequential damages or losses.

The warranty extended to Zaneen by the manufacturers of the electrical components is passed on to our customers.

At its option, Zaneen will repair or replace, any fixture defective as provided herein if such fixture is returned by the purchaser within the warranty period, provided Zaneen has issued a written "Return Goods Authorization". Such repair or replacement is the exclusive remedy against Zaneen and Zaneen is not responsible for damage of any sort whatsoever, including incidental and consequential damages or losses.

This warranty extends only to replacement defective fixtures or components and no allowance will be made for labour or transportation charges in connection with replacement of such parts, nor for removal or re-installation of equipment or parts unless specifically authorized in writing by Zaneen prior to any work being performed.

This warranty only applies when the products are installed in applications in which ambient temperatures are within normal temperatures and are operated within the electrical values shown on the LED driver label.

Zaneen Interior rated luminaries are not protected from environmental conditions, such as salt content from sea air. Therefore, any damages resulting from exposure to salt air, or other harmful environmental conditions, will not be covered under Zaneen Warranty.

Zaneen will not be responsible under warranty for any failure of the product that results directly or indirectly from improper installation and/or external causes such as: acts of nature, physical damage, and exposure to adverse or hazardous chemicals or other substances, use of harsh cleaning agent or harsh chemicals.

Warranty for any substantial deterioration in the product finish caused by failure to clean, inspect or maintain the finish of the product. The end user is responsible for the structural integrity of existing foundations, anchorages, or structures and all consequences arising from their use.

Zaneen will not be responsible under warranty for any failure of the product that results directly or indirectly from improper installation and/or external causes such as: acts of nature, physical damage, and exposure to adverse or hazardous chemicals or other substances, use of harsh cleaning agent or harsh chemicals.

The end user is responsible for the structural integrity of existing foundations, anchorages, or structures and all consequences arising from their use.