

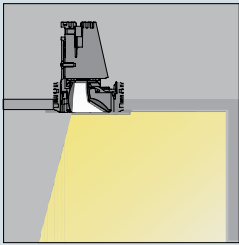
MAGIQ PRO TRIMLESS SYSTEM SPECIFICATION SHEET

| | |
|----------|-------|
| PROJECT | _____ |
| TYPE | _____ |
| NOTES | _____ |
| QUANTITY | _____ |
| DATE | _____ |

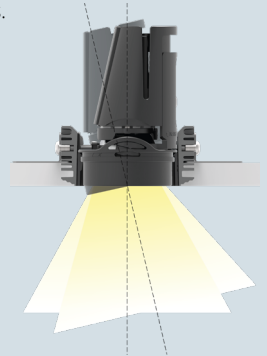
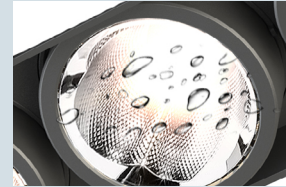
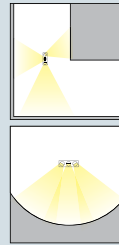


ARCHITECTURAL | MAGIQ PRO

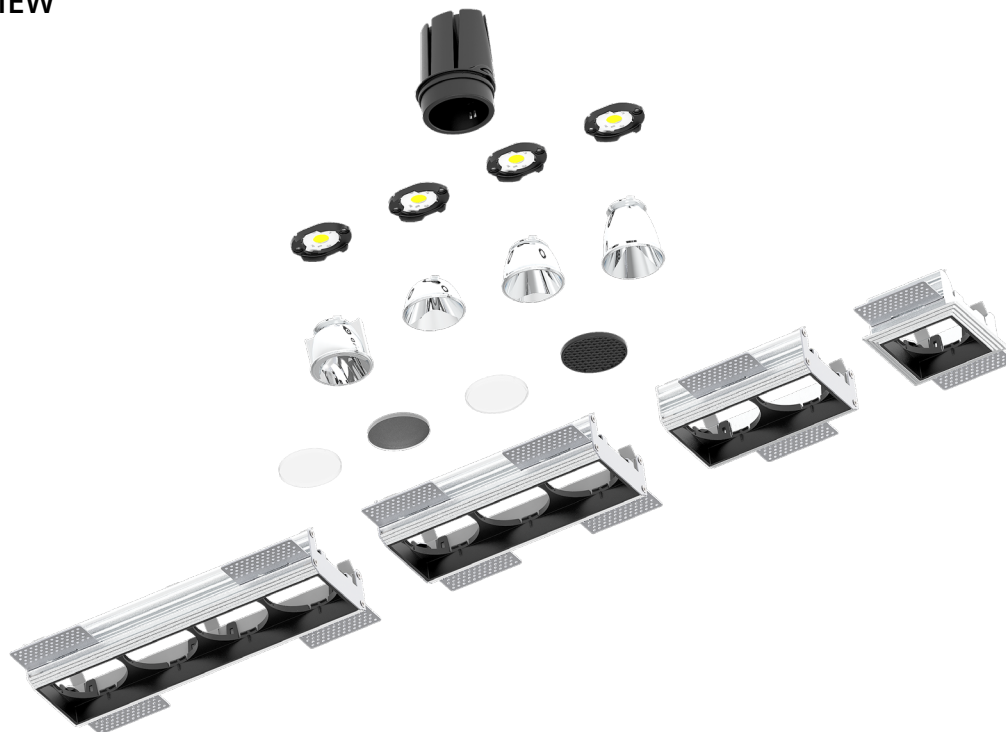
The MAGIQ PRO spot system combines maximum flexibility with the best lighting technology. The integrated RMJ reflectors from Bartenbach ensure a perfect mix of the Tunable White LED modules - the ideal light temperature for any time of day or night. The various downlight with beam angles of 14°, 34°, 52°, and 68° or wallwash modules can be combined as desired and easily replaced later. A sophisticated adjustment mechanism allows each insert to be rotated around 355° and tilted by up to 12.5°. The virtual tilting point at ceiling level avoids any light loss. For maximum flexibility of use, all inserts including the wallwash reflector are in a splashproof variant with IP44 rating.



The MAGIQ PRO features a unique double-function wallwash reflector capable of perfectly illuminating a vertical surface, while serving as a downlight at the same time. The wallwash modules are the ideal solution for lighting walls with a curved surface. This distinctive illumination is made possible with a unique fitting in the walls and floor or by the independent 355° rotation of each module.



SYSTEM OVERVIEW



MAGIQ PRO TRIMLESS SYSTEM SPECIFICATION SHEET

PROJECT _____
 TYPE _____
 NOTES _____
 QUANTITY _____
 DATE _____

SYSTEM GUIDE

To make your product selection and complete system specification, proceed with the following:
 review system options, create your system code in the field below and include your quantity.
 For the frames/inserts, use the field beside each product name.
 Submit to quotes@zaneen.com to receive a formal BOM and finalized model numbers.

UPON REQUEST
 Additional Options _____
 _____ Color Temperature
 _____ Beam Angle
 _____ Special LED
 _____ RGB-W



EXAMPLE A3MAGPRO-TRI-SYS-UNV-DN-EMCIR

SYSTEM BUILD CODE: A3MAGPRO-TRI-SYS- qty

| | | | |
|-------------------|-----------------------|-----------------------------------|----------------------------------|
| ELECTRICAL | Voltage | Dimming | Circuit |
| | UNV - 120/277V | DN - Non Dim | EMCIR - Emergency Circuit |
| | 120 - 120V | DP - Phase Dim (Triac/ELV) | |
| | 347 - 347V | DV - 0-10V (100-1%) | |
| | | DD - DALI (100-1%) | |

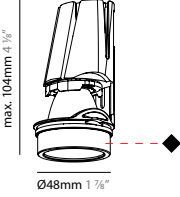
| MODULAR FRAMES | | BUILD CODE EXAMPLE: A380148-02-10 | |
|----------------|---------------------------|--|--|
| LAYOUT | 1 MODULAR FRAME | A380148- | qty |
| | | Finish ◆ | Ceiling Thickness |
| | | 02 - Black Velvet | 10 - 10mm 3/8" 15 - 15mm 9/16" |
| | | 03 - Crystal White | 12 - 12.5mm 1/2" 25 - 25mm 1" |
| | 2 MODULAR FRAME | A380149- | qty |
| | Finish ◆ | Ceiling Thickness | |
| | 02 - Black Velvet | 10 - 10mm 3/8" 15 - 15mm 9/16" | |
| | 03 - Crystal White | 12 - 12.5mm 1/2" 25 - 25mm 1" | |
| | 3 MODULAR FRAME | A380150- | qty |
| | Finish ◆ | Ceiling Thickness | |
| | 02 - Black Velvet | 10 - 10mm 3/8" 15 - 15mm 9/16" | |
| | 03 - Crystal White | 12 - 12.5mm 1/2" 25 - 25mm 1" | |
| | 4 MODULAR FRAME | A380151- | qty |
| | Finish ◆ | Ceiling Thickness | |
| | 02 - Black Velvet | 10 - 10mm 3/8" 15 - 15mm 9/16" | |
| | 03 - Crystal White | 12 - 12.5mm 1/2" 25 - 25mm 1" | |

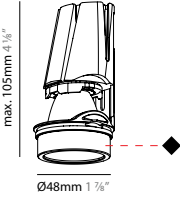
MAGIQ PRO TRIMLESS SYSTEM SPECIFICATION SHEET

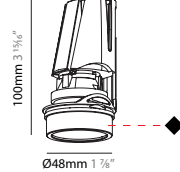
| | |
|----------|--|
| PROJECT | |
| TYPE | |
| NOTES | |
| QUANTITY | |
| DATE | |

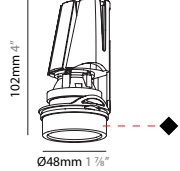
INSERTS

MAGIQ PRO

| STANDARD | A35769- | | | | | qty | | | | |
|---|---|--------------------|---|---|--|------------|----------------------|------------|------------|--|
| | Wattage: 9.8W | Dimming | CCT - 90 CRI | Finish ◆ | Reflector | Optics | Delivered Lumen (lm) | | | |
|  | DN - Non Dim | 27K -2700K | 02 - Black Velvet 03 - Crystal White | 36 - 36° 52 - 52° 68 - 68° | 00 - No optic 01 - Linear Spread 02 - Spread 03 - Honeycomb | CCT | 36° | 52° | 68° | |
| | DP - Phase Dim | 30K - 3000K | | | | 2700K | 845 | 896 | 920 | |
| | DV - 0-10V | 35K - 3500K | | | | 3000K | 884 | 937 | 962 | |
| | 40K - 4000K | 3500K | | | | 917 | 972 | 998 | | |
| | TW - Tunable White (2700K to 6500K) | 4000K | | | | 938 | 994 | 1020 | | |
| | | TW | | | | 696 | 738 | 758 | | |

| STANDARD IP44 | A35772- | | | | | qty | | | | |
|--|---|--------------------|---|---|--|------------|----------------------|------------|------------|--|
| | Wattage: 9.8W | Dimming | CCT - 90 CRI | Finish ◆ | Reflector | Optics | Delivered Lumen (lm) | | | |
|  | DN - Non Dim | 27K -2700K | 02 - Black Velvet 03 - Crystal White | 36 - 36° 52 - 52° 68 - 68° | 00 - No optic 01 - Linear Spread 02 - Spread 03 - Honeycomb | CCT | 36° | 52° | 68° | |
| | DP - Phase Dim | 30K - 3000K | | | | 2700K | 797 | 847 | 871 | |
| | DV - 0-10V | 35K - 3500K | | | | 3000K | 834 | 886 | 912 | |
| | 40K - 4000K | 3500K | | | | 864 | 919 | 945 | | |
| | TW - Tunable White (2700K to 6500K) | 4000K | | | | 884 | 940 | 967 | | |
| | | TW | | | | 655 | 697 | 718 | | |

| SPOT | A35768- | | | | qty | |
|---|-----------------------|--------------------|---|------------|----------------------|-----|
| | Wattage: 9.2W | Dimming | CCT - 90 CRI | Finish ◆ | Delivered Lumen (lm) | |
|  | DN - Non Dim | 27K -2700K | 02 - Black Velvet 03 - Crystal White | 14° | CCT | |
| | DP - Phase Dim | 30K - 3000K | | | 2700K | 381 |
| | DV - 0-10V | 35K - 3500K | | | 3000K | 405 |
| | 40K - 4000K | 3500K | | | 417 | |
| | | 4000K | | | 425 | |

| SPOT IP44 | A35771- | | | | qty | |
|---|-----------------------|--------------------|---|------------|----------------------|-----|
| | Wattage: 9.2W | Dimming | CCT - 90 CRI | Finish ◆ | Delivered Lumen (lm) | |
|  | DN - Non Dim | 27K -2700K | 02 - Black Velvet 03 - Crystal White | 14° | CCT | |
| | DP - Phase Dim | 30K - 3000K | | | 2700K | 381 |
| | DV - 0-10V | 35K - 3500K | | | 3000K | 405 |
| | 40K - 4000K | 3500K | | | 417 | |
| | | 4000K | | | 425 | |

| | |
|----------|-------|
| PROJECT | _____ |
| TYPE | _____ |
| NOTES | _____ |
| QUANTITY | _____ |
| DATE | _____ |

MAGIQ PRO WALLWASH

INSERTS

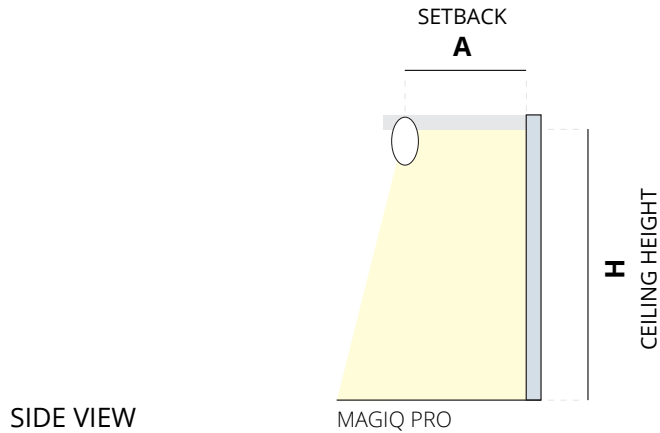
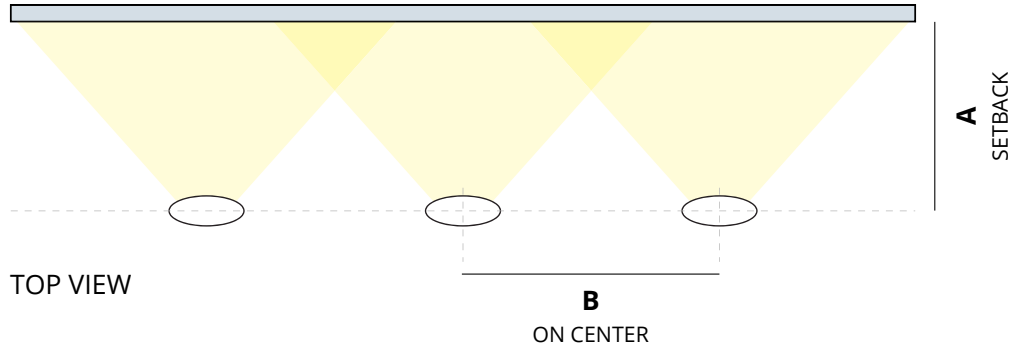
| WALLWASH | A35767- | | | qty | |
|---------------|-----------------------|---|---|----------------------|-----|
| Wattage: 9.8W | Dimming | CCT - 90 CRI | Finish ◆ | Delivered Lumen (lm) | |
| | DN - Non Dim | 27K -2700K | 02 - Black Velvet 03 - Crystal White | 2700K | 817 |
| | DP - Phase Dim | 30K - 3000K | | 3000K | 855 |
| | DV - 0-10V | 35K - 3500K | | 3500K | 887 |
| | | 40K - 4000K | | 4000K | 906 |
| | | TW - Tunable White (2700K to 6500K) | | TW | 532 |

| WALLWASH IP44 | A35770- | | | qty | |
|---------------|-----------------------|---|---|----------------------|-----|
| Wattage: 9.8W | Dimming | CCT - 90 CRI | Finish ◆ | Delivered Lumen (lm) | |
| | DN - Non Dim | 27K -2700K | 02 - Black Velvet 03 - Crystal White | 2700K | 817 |
| | DP - Phase Dim | 30K - 3000K | | 3000K | 855 |
| | DV - 0-10V | 35K - 3500K | | 3500K | 887 |
| | | 40K - 4000K | | 4000K | 906 |
| | | TW - Tunable White (2700K to 6500K) | | TW | 492 |

PROJECT _____
 TYPE _____
 NOTES _____
 QUANTITY _____
 DATE _____

RECOMMENDED WALLWASH DISTANCES

Simplified diagrams - it does not reflect the specific photometry of the inserts.
 Setback and on center spacing depends on the color and texture of your walls.
 The calculations below were completed with a white wall.



| MAGIQ PRO WALLWASH | | |
|--------------------|-----------|-----------|
| H | A | B |
| 7' 7" | 17" - 29" | 27" - 44" |
| 8' 3" | 19" - 33" | 29" - 48" |
| 8' 10" | 21" - 35" | 31" - 52" |
| 9' 10" | 23" - 38" | 35" - 58" |

| | |
|----------|-------|
| PROJECT | _____ |
| TYPE | _____ |
| NOTES | _____ |
| QUANTITY | _____ |
| DATE | _____ |

SYSTEM SUMMARY

System

Type

Trimless
Rated for Dry or Damp Locations for Ceiling Mounting

Approval Status

Certified to North American Standards

Emission

Refer to emission icon beside each light insert and symbol legend for descriptions

Frame

Measurement

w 57mm (2 ¼") x ht. 39mm (1 ⅝")

Anodized extruded aluminum frame available in lengths of 57mm (2 ¼") 1 cell, 112mm (4 ½") 2 cell, 166mm (6 ⅝") 3 cell, and 220mm (8 ⅞") 4 cell

Cutout

w 74mm (2 ⅝") x 74mm (2 ⅝") 1 cell, 117mm (4 ⅝") 2 cell, 171mm (6 ¾") 3 cell, and 225mm (8 ⅞") 4 cell

Drywall Ceiling Thickness

Mounting brackets must be specified considering the ceiling thickness of 10mm (¾") to 25mm (1")

Recessed Depth

h 105mm (4 ¼")

Electrical

Connections

Luminaries are pre-wired by factory

Power Feed

Located in the center of each module, on top of the fixture
3 Wires - non-dimming or phase dimming
4 Wires - two circuits of non-dimming or phase dimming
5 Wires - 0-10V dimming or dali dimming

LED Driver

External to inserts
Electronic Class 2 driver, Universal 120V/277V
Non-Dimming Driver, Phase Dimming Driver, and 0-10V Dimming Driver (10-100%)
Consult factory for driver cutsheet
If a different driver is required, please specify

Emergency Inverter Compatible

To be installed remotely, and provided by others
It can be located up to 250m away from the fixture

Emergency circuit wiring is available upon request (Isolated track with dedicated driver used for emergency circuit will connect to emergency battery pack - supplied by others)

General

Features

For total control and maximum personalization of the optics, each module can be equipped with elliptical lenses, spread lenses or with a honeycomb filter.

The impeccable Narrow Beam is ideal to stress a detail in the interior design, even from double height ceilings.

The sought after Medium Beam is the solution to create contrast, to play with the light, build spaces and drama in the scene.

Precise and multi-functional - the Flood Beam is the perfect choice for homogeneity and for multiple applications as a grid in bigger spaces.

The Ultra Wide Beam is the ideal solution to light an entire room from a single point or to optimize the general lighting grid with the minimum amount of downlights.

The Magiq Pro features a unique double-function wallwash reflector capable of perfectly illuminating a vertical surface, while serving as a downlight at the same time. Possible to illuminate walls with curved surfaces.

ZERO LIGHT LEAKAGE technology guarantees trouble-free use in acoustic ceilings.

The very deep reflector ensures a good cut-off resulting in an incredibly low UGR.

Custom Requests and Additional Options

Availability depends on insert, system, and configuration
Must consult factory and allow up to 5 business days for an answer

Color temperature, special beam angles, RGB-W, special LEDs

Special LEDs optimize luminaries to meet different applications

Gold+ invokes a heavy golden tone intended for bread and pastries

Meat+ displays saturated red light (white parts of product will appear slightly red)

Art+ highlights pieces of art without adversely affecting the perception of individual colors

Fashion+ has the entire color spectrum brilliantly orchestrated without distorting the color temperature

Warranty

ZANEEN provides a limited warranty from date of purchase to original purchaser

LED Inserts: 5 year tested for 50,000 hours at 70% lumen output (L70)

LED Driver: 5 year

Non-Electrical Components: 1 year

*Check boxes to complete specification order and submit to quotes@zaneen.com to receive a formal BOM and a finalized model number

*In a constant effort to supply the best product, we reserve the right to change specifications or materials without notice. The most recent specification sheets are found at zaneen.com

MAGIQ PRO TRIMLESS SYSTEM SPECIFICATION SHEET

PROJECT _____
TYPE _____
NOTES _____
QUANTITY _____
DATE _____

FINISH COLORS

Black Velvet - 02



Crystal White - 03



Digital: Not all screens are calibrated the same, and therefore, colors will appear differently between screens.

Physical: When texture is involved, there will be variations in color, character and tone within a product series and between product families.

Gun Metal: No Gun Metal finish is alike. It combines a mixture of transparent and black color particles which ensures a highly individual effect and no luminaire being identical.

Champagne Cream, Copper Mine, Ancient Bronze + Jazz Gold: These finishes have slight fading from specific powder coating production. Each luminaire will slightly vary.

RAL Color Upon Request



LEGEND

| | | | | | |
|--|---|--|--|--|--|
| | floor-mounted | | pivotal | | special LED (upon request) RGB, RGBW, tunable, gold+, meat+, art+, fashion+ |
| | wall and ceiling: recessed and surface mounted | | rotating | | warm dim / natural dimming LED |
| | ceiling-mounted and wall-mounted | | illuminate tilted | | rechargeable battery powered |
| | wall-mounted | | color of suspension cable | | fixture with natural vivid LED (upon request) |
| | omni-directional light distribution | | length of suspension cable | | color rendering index |
| | direct light distribution | | reflector degree selection | | color temperature |
| | direct/indirect light distribution | | super spot | | lumen (luminous flux) |
| | indirect light distribution | | lens | | efficacy (lumens per watt) |
| | asymmetric light distribution | | lens pack | | Unified Glare Rating (UGR) range from 5-40 |
| | aura light distribution | | shine ring | | marine grade (AISI 316 stainless steel) |
| | round wall or ceiling cut-out | | integrated shine ring with diffuser | | walk on |
| | square wall or ceiling cut-out | | free individual colors 01-29 | | drive on |
| | the supplied jig specifies the cutout dimensions | | individual colors: 00 (free of charge), 01-25 (extra charge) | | Dark Sky Compliance |
| | minimum distance (meters) lamp - object | | luminaire part to be colored (F1) | | Americans with Disabilities Act (less than 4" off the wall located between 27"-84" from floor) |
| | recessed depth | | luminaire part to be colored (F2) | | lamp protected against explosion |
| | ceiling thickness in mm | | luminaire part to be colored (F3) | | blown glass using traditional methods by master glass blower |
| | ceiling thickness selection | | luminaire part to be colored (F4) | | acoustic material |
| | dimmable DP (phase), DV (0-10V), DD (dali), DS (step-dim) | | luminaire part to be colored (F5) | | protection class I, protection insulation |
| | included or excluded LED driver/transformer/control gear | | color of 3-circuit adaptor | | protection class II, protection insulation |
| | separately switchable | | indirect diffuser | | ETL Certified to UL and CSA Standards |
| | sensor | | direct diffuser | | UL Certified to UL and CSA Standards |
| | remote control | | ball-proof (upon request) | | CSA Certified to UL and CSA Standards |
| | available upon request | | accessory | | Certified for North American Standards |

IP RATING

| | |
|--|--|
| | protected against ingress of solid bodies greater than 12.5mm (finger) |
| | protected against ingress of solid bodies greater than 2.5mm protected against sprays of water up to 60 degrees from the vertical (rain) |
| | protected against ingress of solid bodies greater than 1mm (wire) no protection against the ingress of moisture |
| | protected against ingress of solid bodies greater than 1mm (wire) protected against sprays of water up to 60 degrees from the vertical (rain) |
| | protected against ingress of solid bodies greater than 1mm (wire) protected against water splashed from all directions |
| | protected against limited ingress of dust (wet rooms/covered outdoor areas) protected against water splashed from all directions |
| | protected against ingress of dust protected against jets of water |
| | protected against ingress of dust protected against powerful jets of water or heavy seas |
| | protected against ingress of dust protected against immersion of water between 15cm - 1m for 30 minutes |
| | protected against ingress of dust protected against immersion of water under pressure for long periods |

IK RATING

| | |
|--|---|
| | protected against 0.14 joules impact (equivalent to 0.25kg mass dropped from 56mm above the surface) |
| | protected against 0.2 joules impact (equivalent to 0.25kg mass dropped from 80mm above the surface) |
| | protected against 0.35 joules impact (equivalent to 0.25kg mass dropped from 140mm above the surface) |
| | protected against 0.5 joules impact (equivalent to 0.25kg mass dropped from 200mm above the surface) |
| | protected against 0.7 joules impact (equivalent to 0.25kg mass dropped from 280mm above the surface) |
| | protected against 1 joules impact (equivalent to 0.25kg mass dropped from 400mm above the surface) |
| | protected against 2 joules impact (equivalent to 0.5kg mass dropped from 400mm above the surface) |
| | protected against 5 joules impact (equivalent to 1.7kg mass dropped from 300mm above the surface) |
| | protected against 10 joules impact (equivalent to 5.0kg mass dropped from 200mm above the surface) |
| | protected against 20 joules impact (equivalent to 5.0kg mass dropped from 400mm above the surface) |

| | |
|----------|-------|
| PROJECT | _____ |
| TYPE | _____ |
| NOTES | _____ |
| QUANTITY | _____ |
| DATE | _____ |

WIRING DIAGRAMS

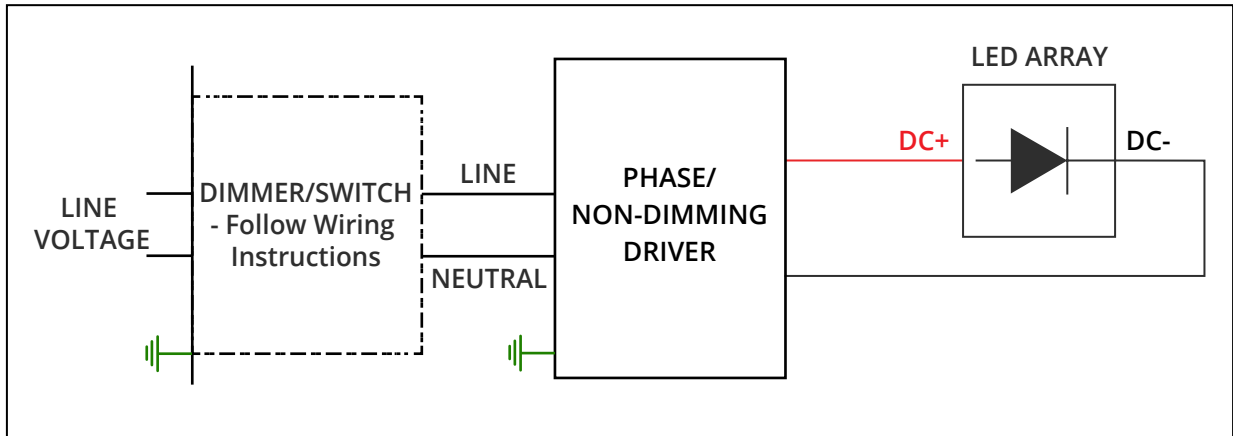
ALL ZANEEN FIXTURES ARE MANUFACTURED TO NORTH AMERICAN ELECTRICAL STANDARDS

Post Sales Support
HQ 1-800-388-3382 X 625 support@zaneen.com

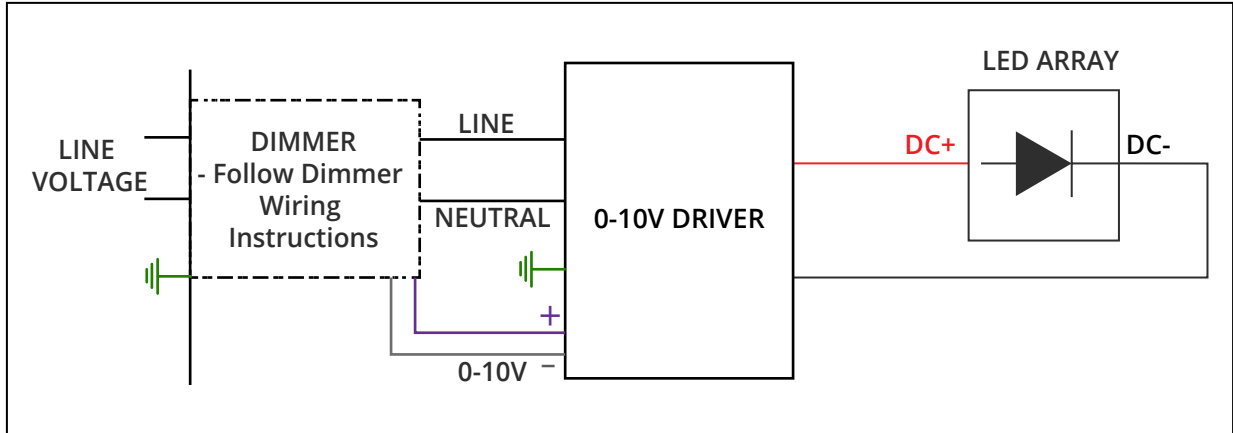
IMPORTANT

- Do NOT connect directly to line voltage
- There is a minimum and maximum load per driver (See fixture and driver specifications).
- Fixture MUST be connected to LED driver, prior to turning power on

PHASE/NON-DIMMING WIRING DIAGRAM



0-10V DIMMING WIRING DIAGRAM



MAGIQ PRO TRIMLESS SYSTEM SPECIFICATION SHEET

PROJECT _____
TYPE _____
NOTES _____
QUANTITY _____
DATE _____

Insert custom drawing here or attach with additional pages

