



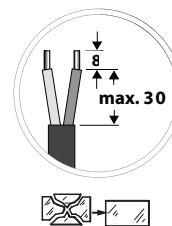
IP 65



## SAFETY AND WARNINGS

Safety and warnings for installation:

- Installation and start-up must be carried out by qualified personnel only.
- Carry out operations on device only with device disconnected from power supply.
- Connect to mains following the installation regulations in force.
- Do not remove power cable.
- The external flexible cable of this device cannot be replaced; if damaged, the device must be destroyed.
- Connection to the mains must be performed with certified screw connectors, 120V, 3 x 2.5 mm<sup>2</sup>, 3 x 1.5 mm<sup>2</sup>, 2 x 2.5 mm<sup>2</sup> or 2 x 1.5 mm<sup>2</sup>, in branch box with protection level ≥IP 65.
- Use the device only with a complete glass.



CAUTION: Make sure that the lines are protected from over-voltage.



Do not look into the beam. LED-Module Class 1.  
In case of malfunctions with the LED module, please contact Zaneen.



We do not recommend switching on the fitting during the day with strong solar radiation.



TECHNICAL DATA

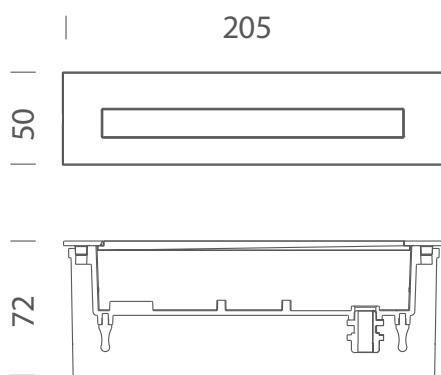
Remote Non-Dimming Driver

IP65

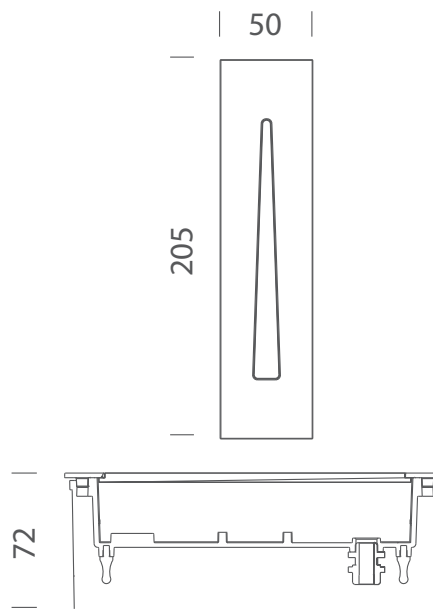


	Input Voltage	Power supply
FRAME		
10 Led 5W	120	Constant Voltage
MASK		
1 Led 2.8W	120 / 277	Constant Voltage

Frame

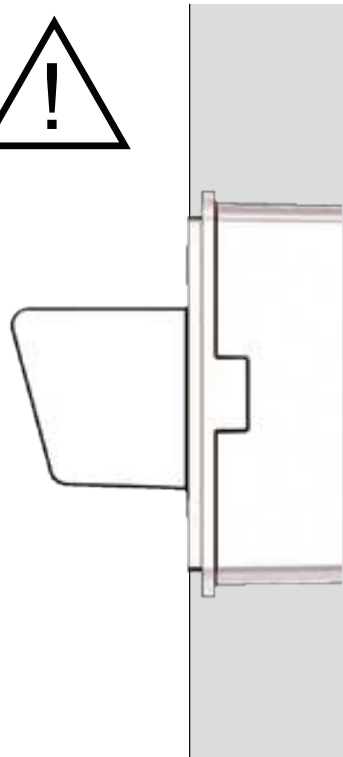
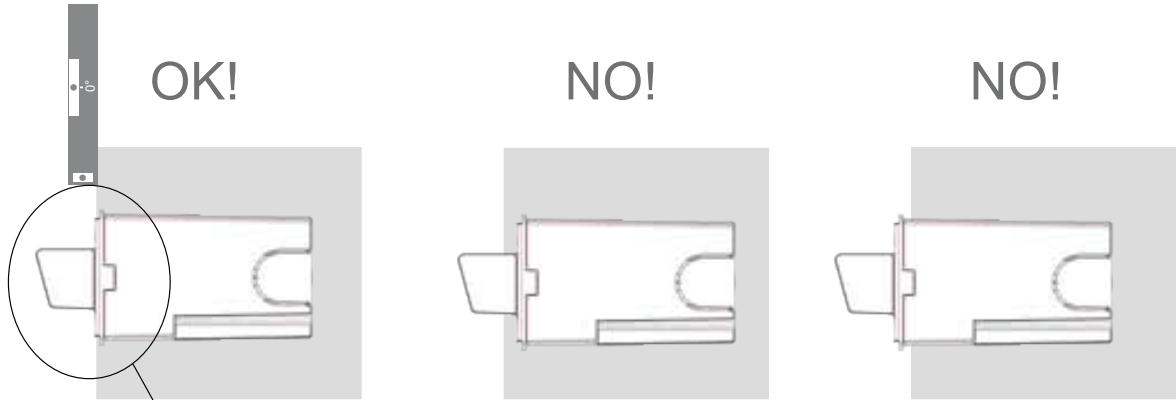


Mask

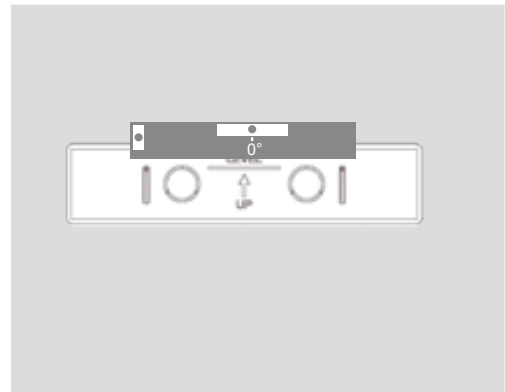


TECHNICAL INFORMATION

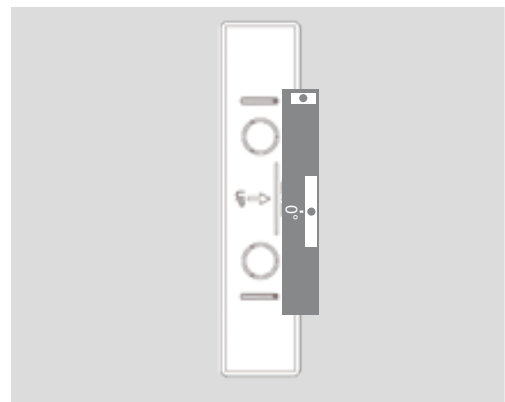
Recessed Box



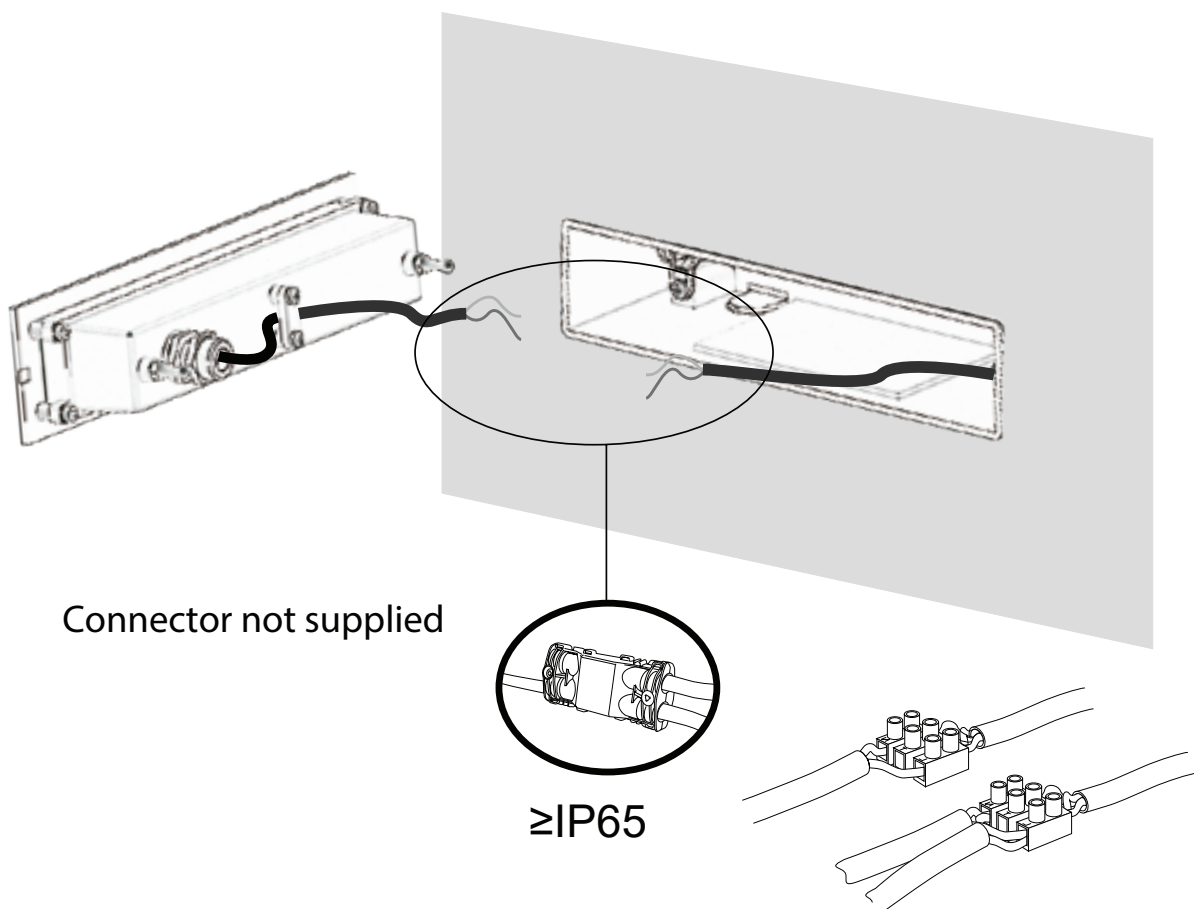
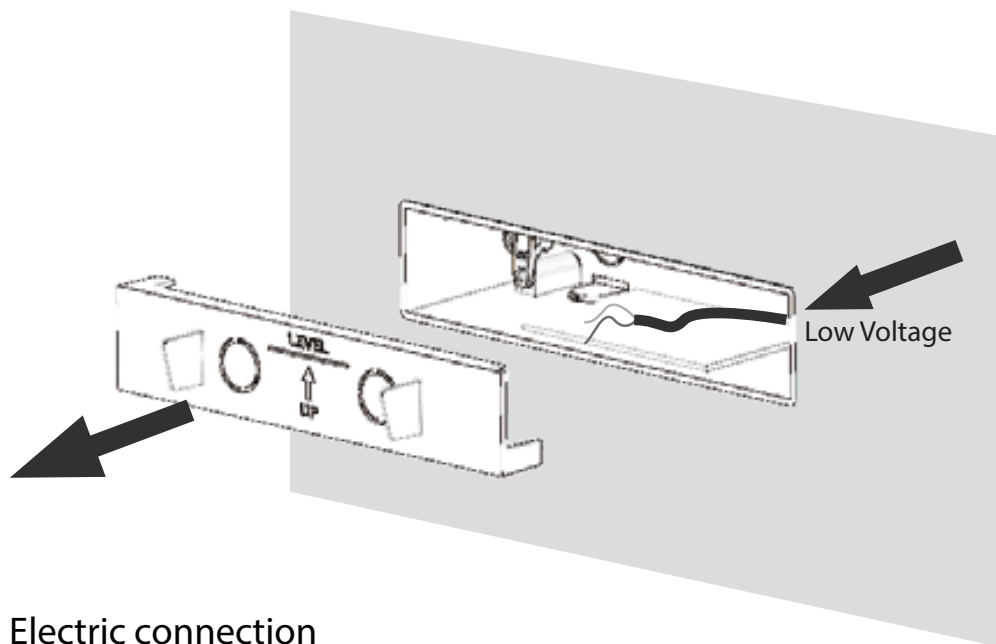
Frame



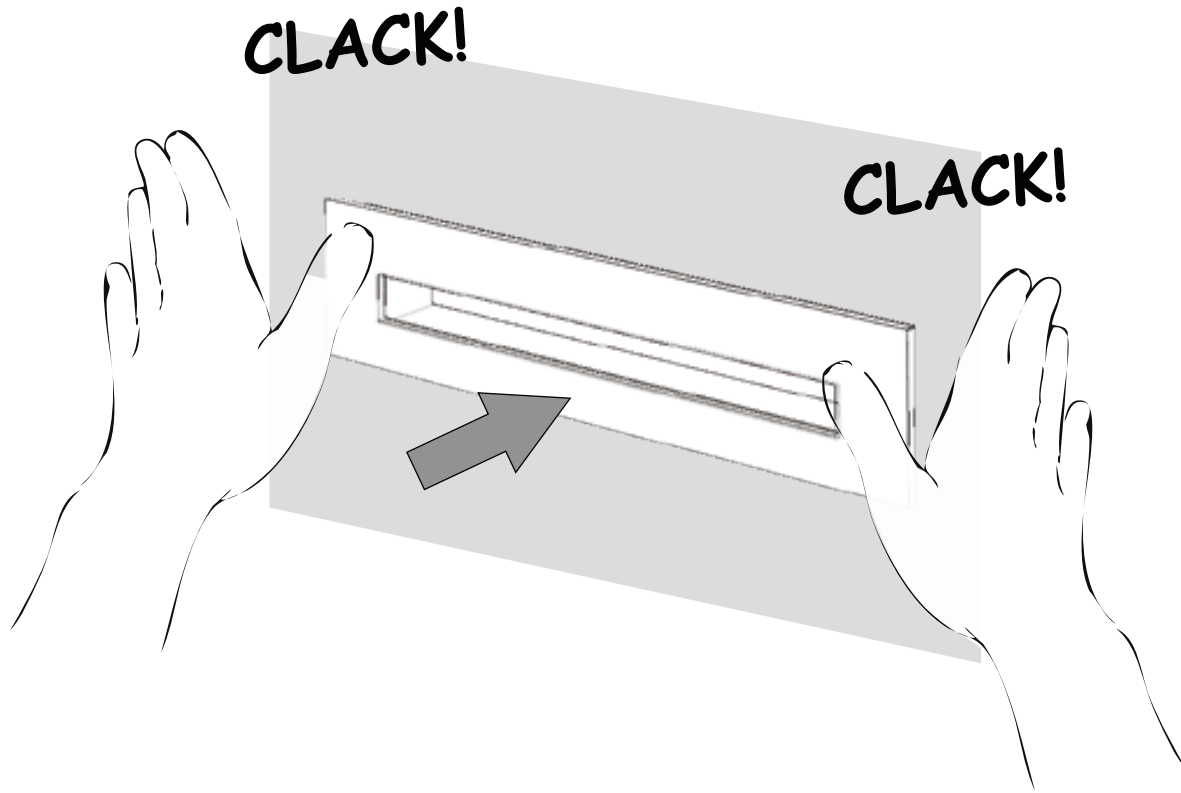
Mask



INSTALLATION



INSTALLATION



**IMPORTANT**

Post Sales Support HQ 1-800-388-3382 support@zaneen.com



**EN**

- Installation and electrification must be carried out by a qualified electrician, only.
- Observe all relevant building codes and regulations.
- Prior to installation or repair: disconnect power; it is the installer's responsibility to ensure for all electrical, mechanical and thermal compatibility.
- The LED light source contained in this fixture shall only be replaced by Zaneen, or a person approved by Zaneen.
- Recommendations: Keep the instruction sheet(s) in the event of maintenance and/or disassembly.

Access detailed specification sheets and the warranty policy on the product page at [zaneen.com](http://zaneen.com).

**FR**

- L'installation et l'électrification doivent être effectuées uniquement par un électricien qualifié.
- Respectez tous les codes du bâtiment et réglementations en vigueur.
- Avant l'installation ou la réparation: débranchez l'alimentation électrique; Il incombe à l'installateur des'assurer de la compatibilité électrique, mécanique et thermique.
- La source de lumière LED contenue dans ce luminaire ne doit être remplacée que par Zaneen, ou une personne approuvée par Zaneen.
- Recommandations: Conservez la (les) fiche (s) d'instructions en cas de maintenance et / ou de démontage

Accéder aux fiches techniques détaillées et à la politique de garantie sur la page du produit sur [zaneen.com](http://zaneen.com)