

Safety and warnings for installation:

- Installation and start-up must be carried out by qualified personnel only.
- Carry out operations on device only with device disconnected from power supply.
- Connect to mains following the installation regulations in force.
- Do not remove power cable.
- Connection to the mains must be performed with certified screw connectors, 250V, 3x2.5 mm², 3 x 1.5 mm², 2 x 2.5 mm² or 2 x 1.5 mm², in junction box with protection level IP 65.
- Replace gasket at every relamping.
- Use only UV-STOP lamps.
- Replace lamp only when the device has cooled down and is not powered.
- Use the device only with a complete glass.



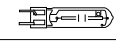
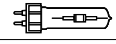
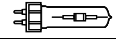





IP65



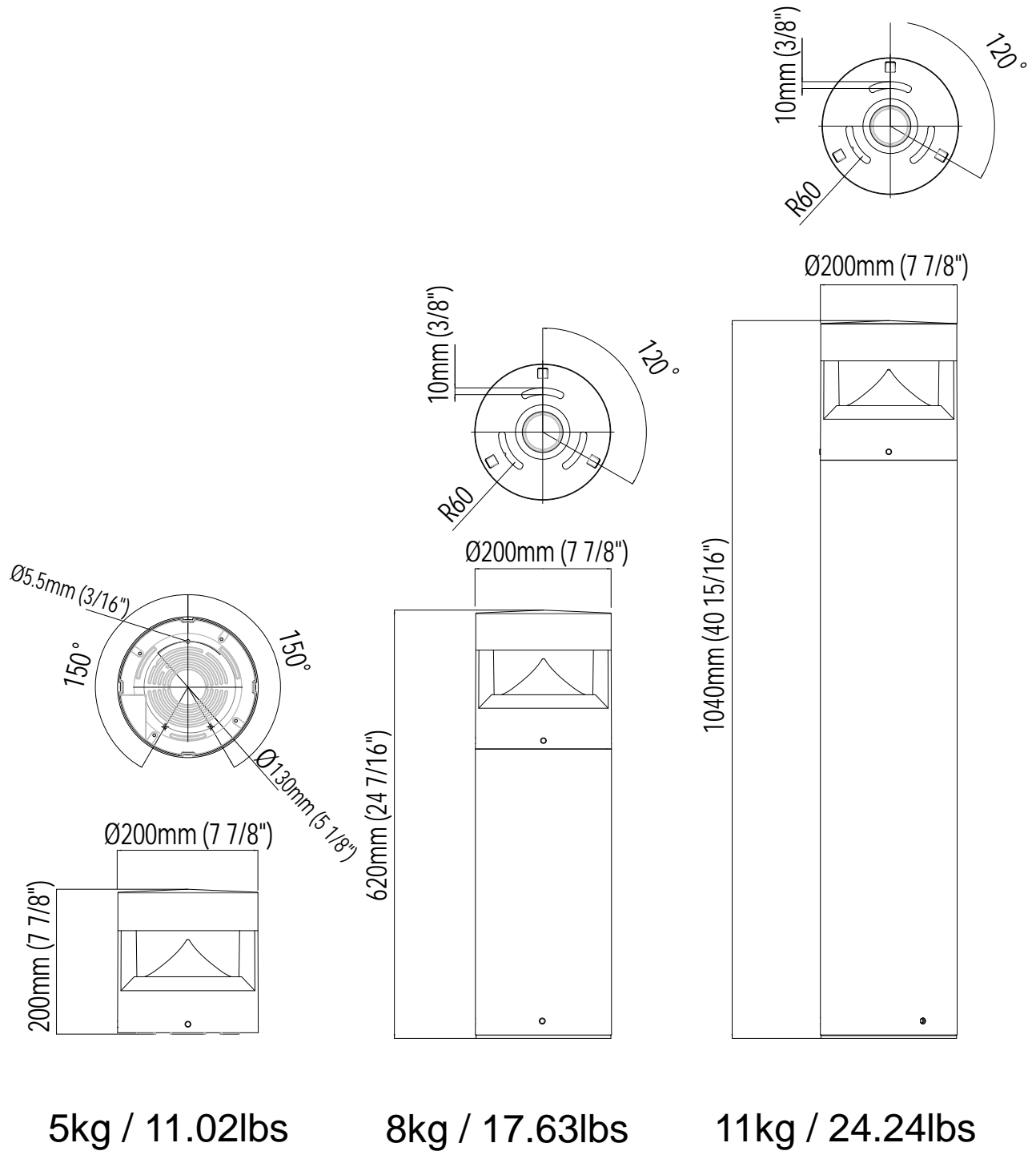
Risk group (EN 62471:2008)

1

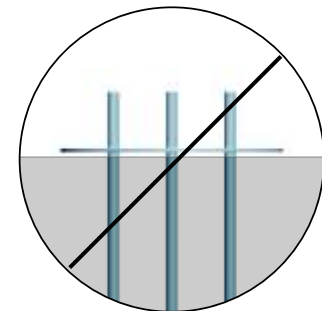
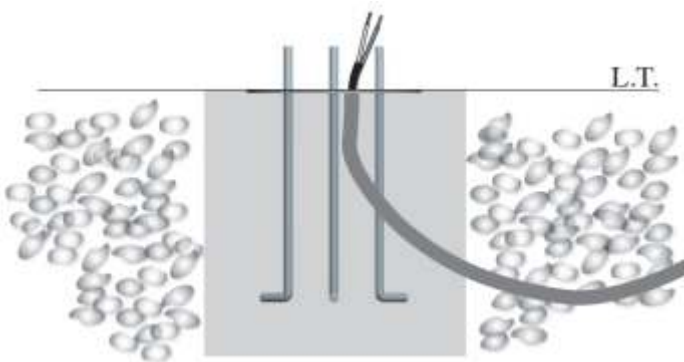
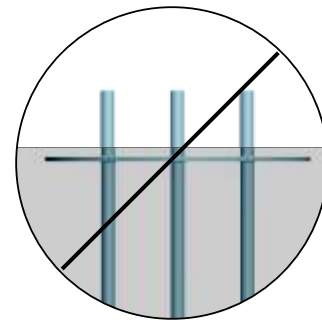
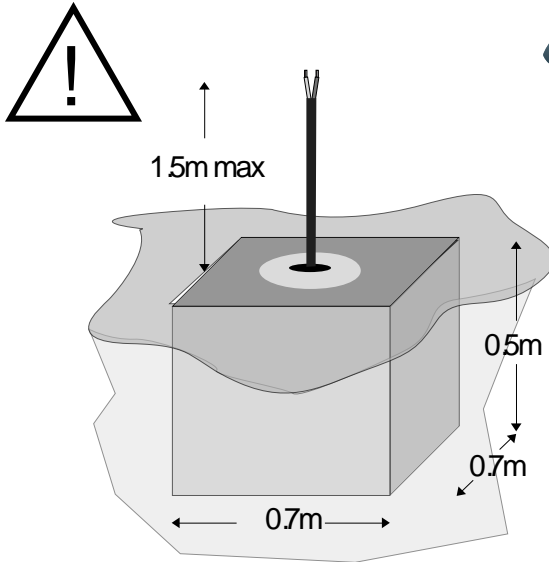
	Class	Power supply		ENERGY CLASS
18W TC-TE GX24-q2	I	220-240V 50/60Hz		B
26W TC-TE GX24-q3	I	220-240V 50/60Hz		B
20W HCI-TC-CE G8,5	I	220-240V 50/60Hz		A
35W HCI-CE G12	I	220-240V 50/60Hz		A
70W HCI-CE G12	I	220-240V 50/60Hz		A
17W Led	I	220-240V 50/60Hz		A
24W Led	I	220-240V 50/60Hz		A
37W Led	I	220-240V 50/60Hz		A



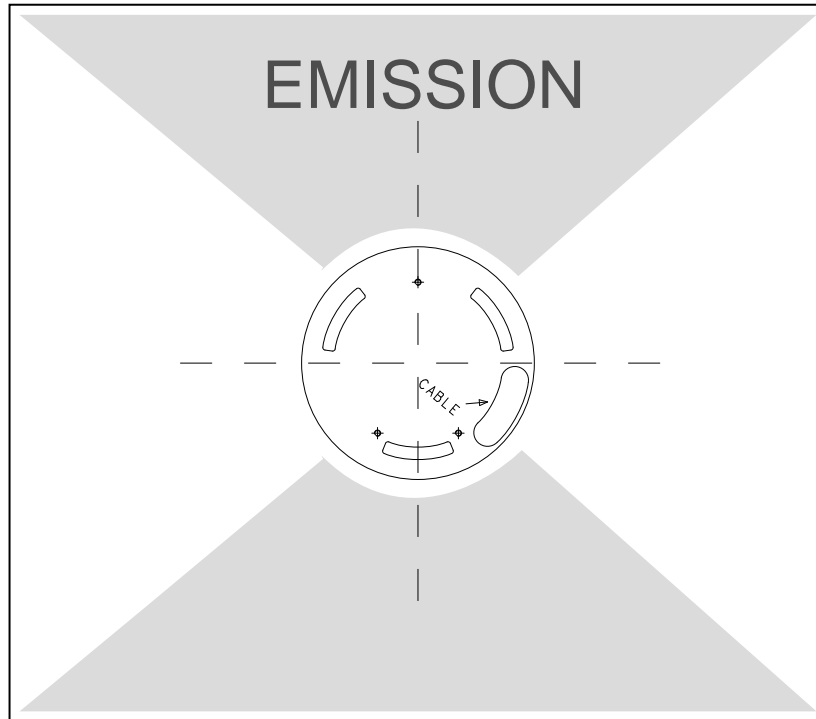
We do not recommend switching on the fitting during the day with strong solar radiation.



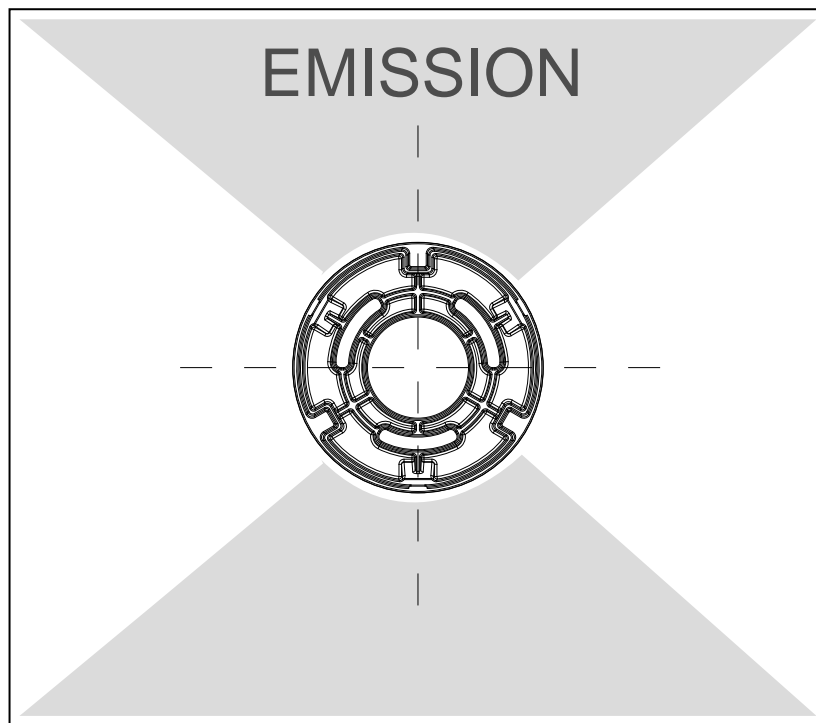
Do not put device in contact with aggressive chemical substances, such as fertilizers, etc.



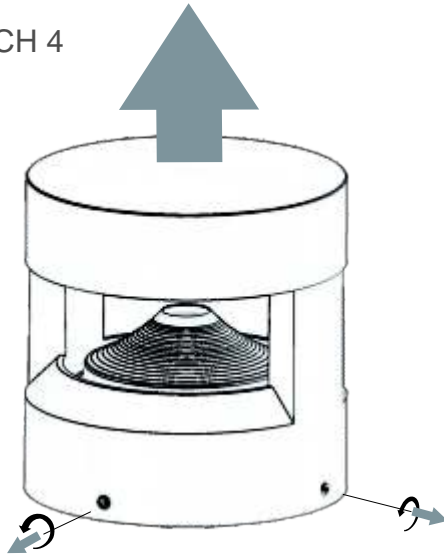
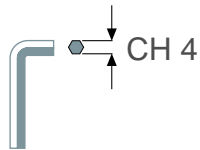
MENHIR 200



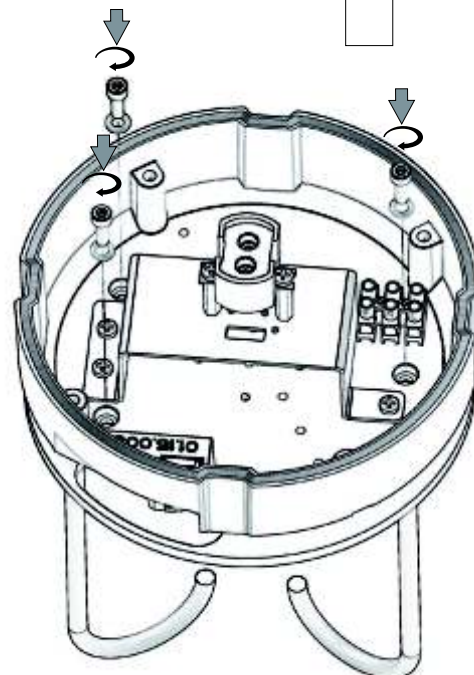
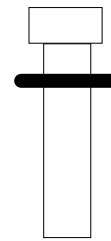
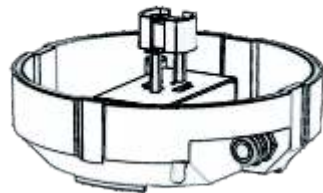
MENHIR 620-1040

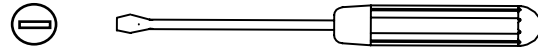


MENHIR 200

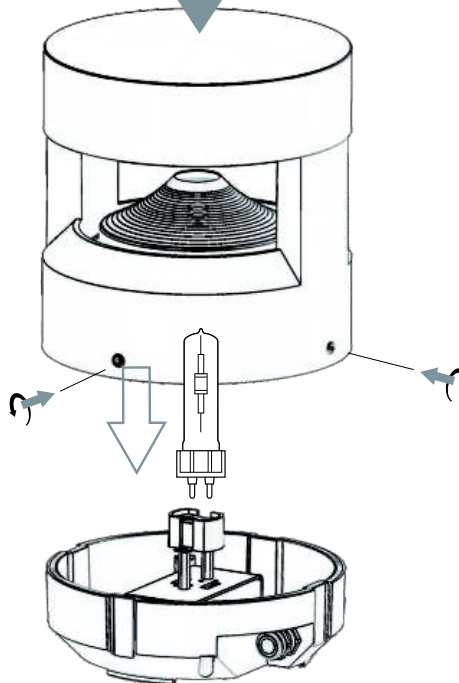
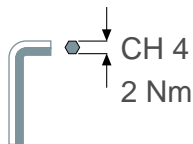
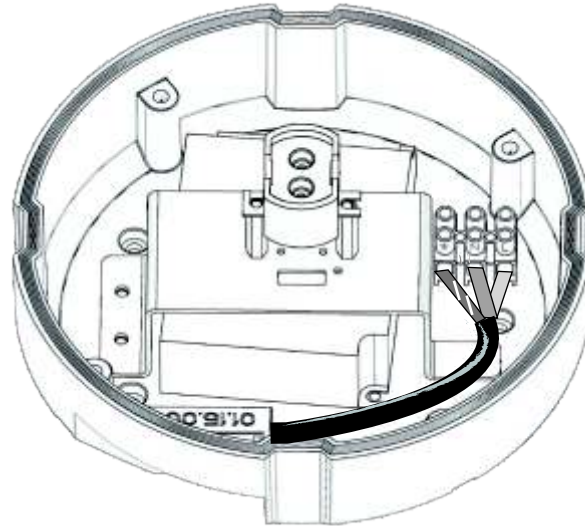
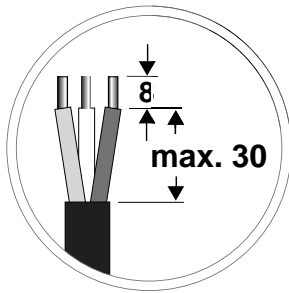


ON
OFF





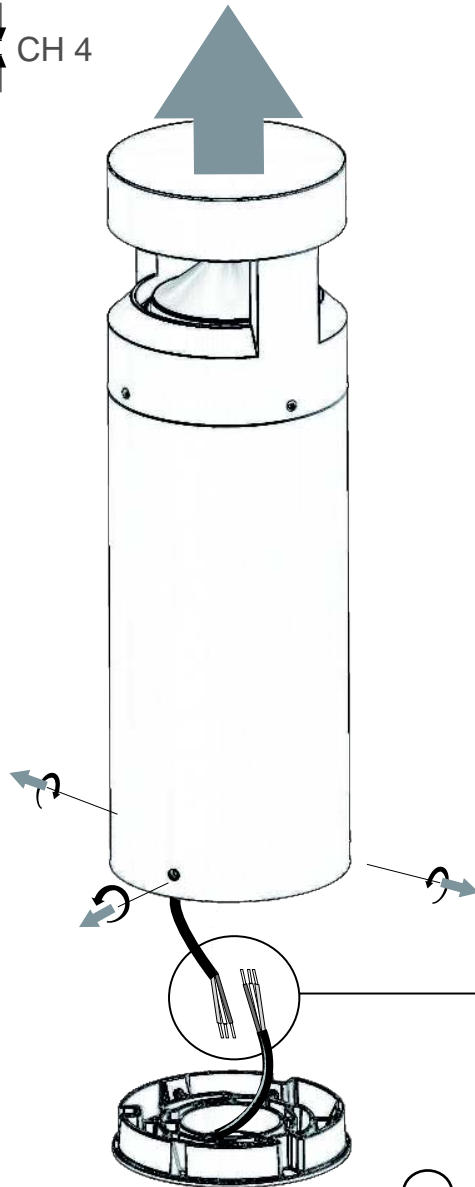
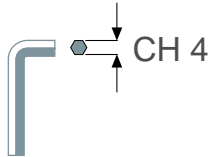
Ø cables 6-10mm <HAR>



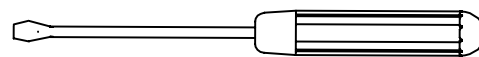
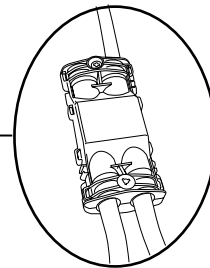
MENHIR 620-1040



ON
OFF

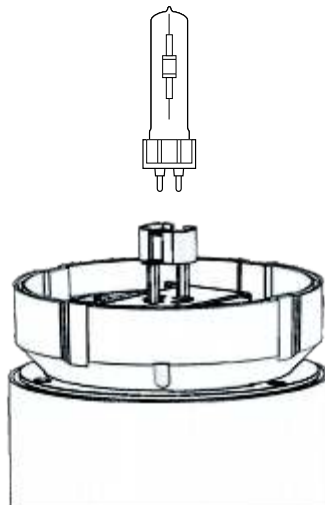
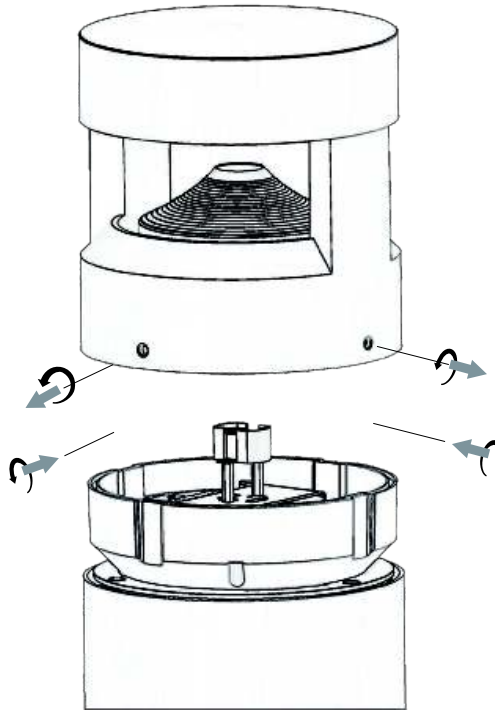
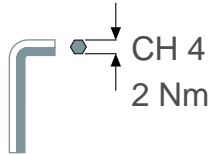


Connector supplied





DO NOT OPEN LED VERSION



180° Shutter

