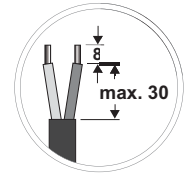




**Safety and warnings for installation:**

- Installation and start-up must be carried out by qualified personnel only.
- Carry out operations on device only with device disconnected from power supply.
- Connect to mains following the installation regulations in force.
- Do not remove power cable.
- The external flexible cable of this device cannot be replaced; if damaged, the device must be destroyed.
- Connection to the mains must be performed with certified screw connectors, 120V, 3 x 2.5 mm<sup>2</sup>, 3 x 1.5 mm<sup>2</sup>, 2 x 2.5 mm<sup>2</sup> or 2 x 1.5 mm<sup>2</sup>, in branch box with protection level IP 68.
- Replace gasket at every lamp change.



Product must be lit 30 minutes before closing it.

Do not put device in contact with aggressive chemical substances, such as fertilizers, etc.



**Suggestions on keeping the product:**

Keep installation instructions in the event of maintenance or disassembly operations, or make them available for the personnel in charge.

**Safety and warnings for installation:**

Use only UV-STOP lamps.

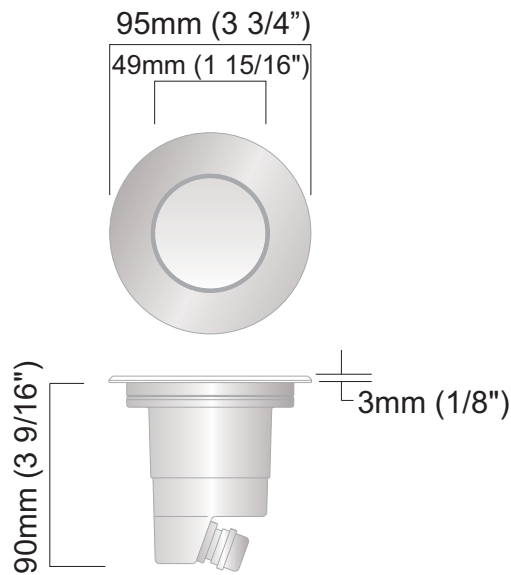
Replace lamp only when the device has cooled down and is not powered.

Use the device only with a complete disc. Devices suitable for direct mounting on non-fammable surfaces.



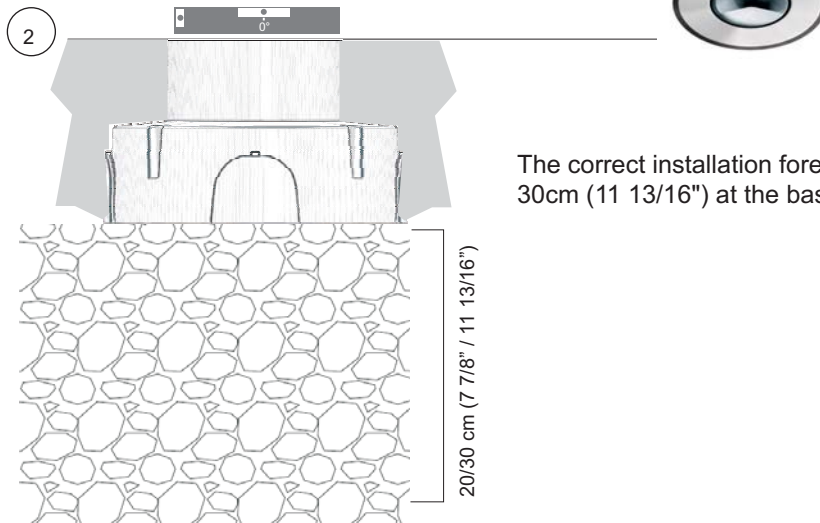
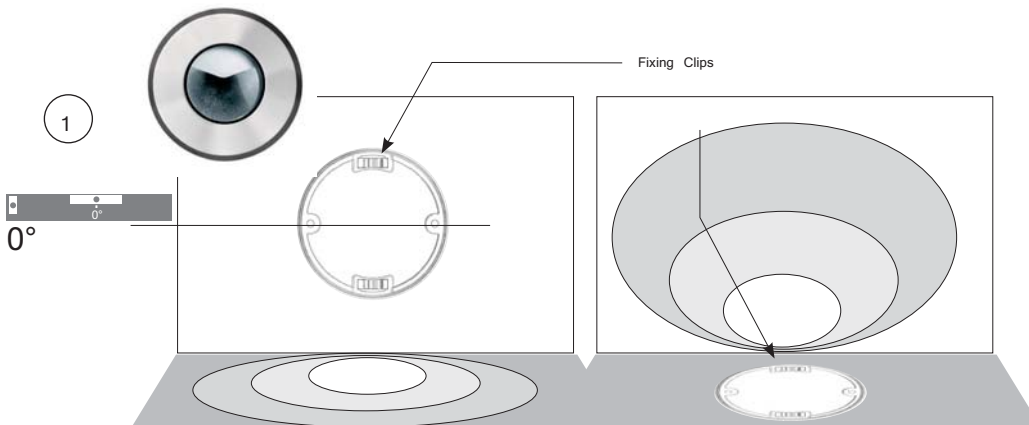
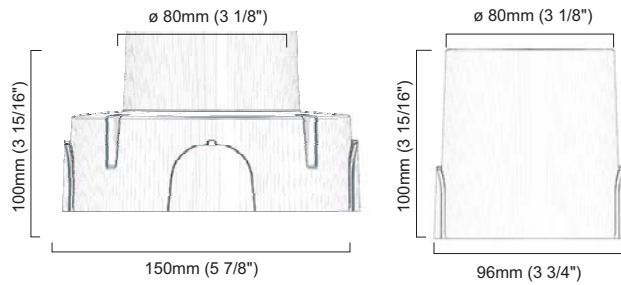
900 MICRO      IP68/66

	Category	T (°C)	Load (Kg)	Class	Power supply
3 x 1 W LED	C 4	40	2000	II	350mA
1 LED	C 4	43	2000	II	max 700mA



**Categories**

1. In areas normally not accessible.
2. In areas with limited access (for example reserved for pedestrians and bikers).
3. In all other accessible areas (for example on garage ramps, parking lots, etc.).
4. As above, but in areas where snow machines and/or unfreezing agents are used.
5. 5. In particular areas (where operating temperatures can cause damages, for example in areas for children, in swimming pools, etc.)

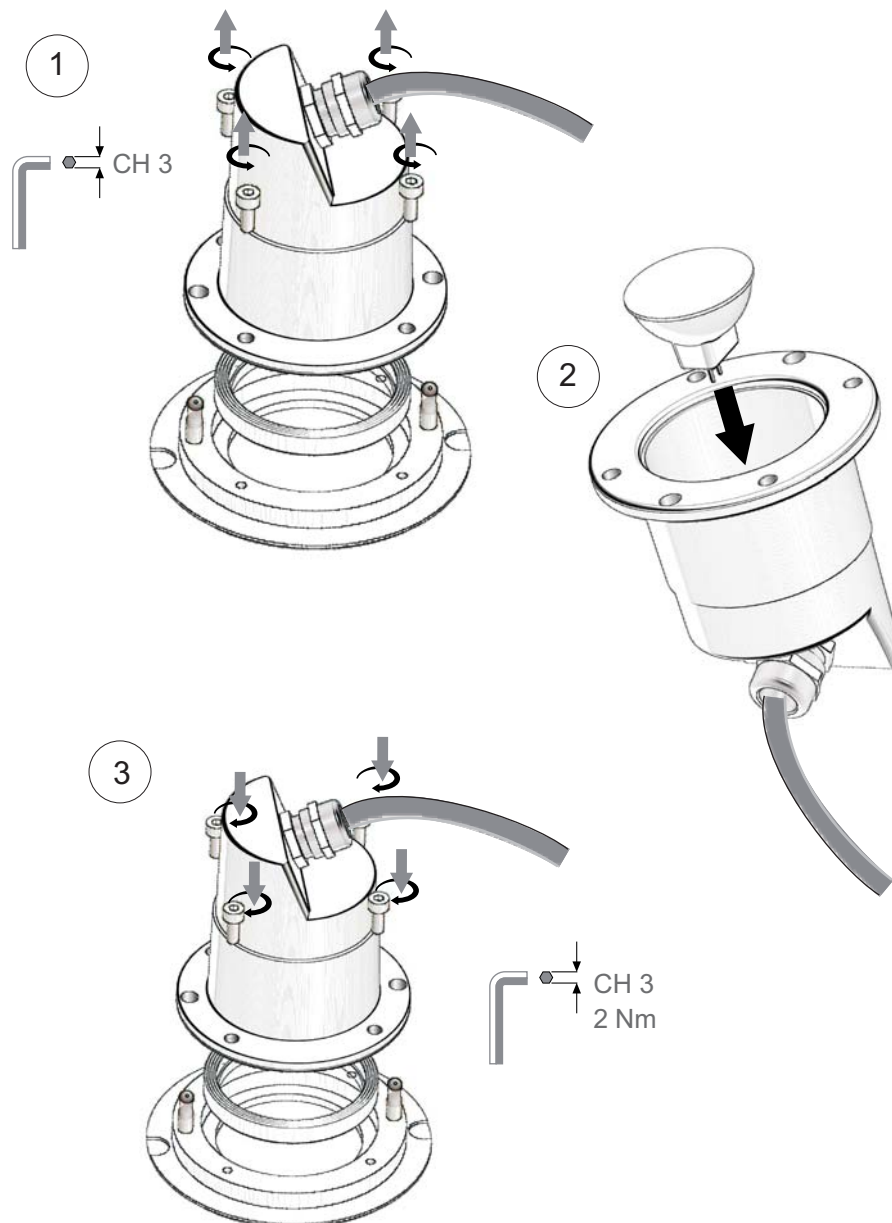


The correct installation foresees a gravel drainage bed of 30cm (11 13/16") at the base of the counter-case.

Position the counter-case as to keep the upper edge of the ring, which will remain visible, flush with the finished the ring, which will remain visible, flush with the finished floor.

To fix the counter-case to the ground, do not use products that block the dispersion of heat, such as resins or foams.

### Only for lamp



Electrical connection

