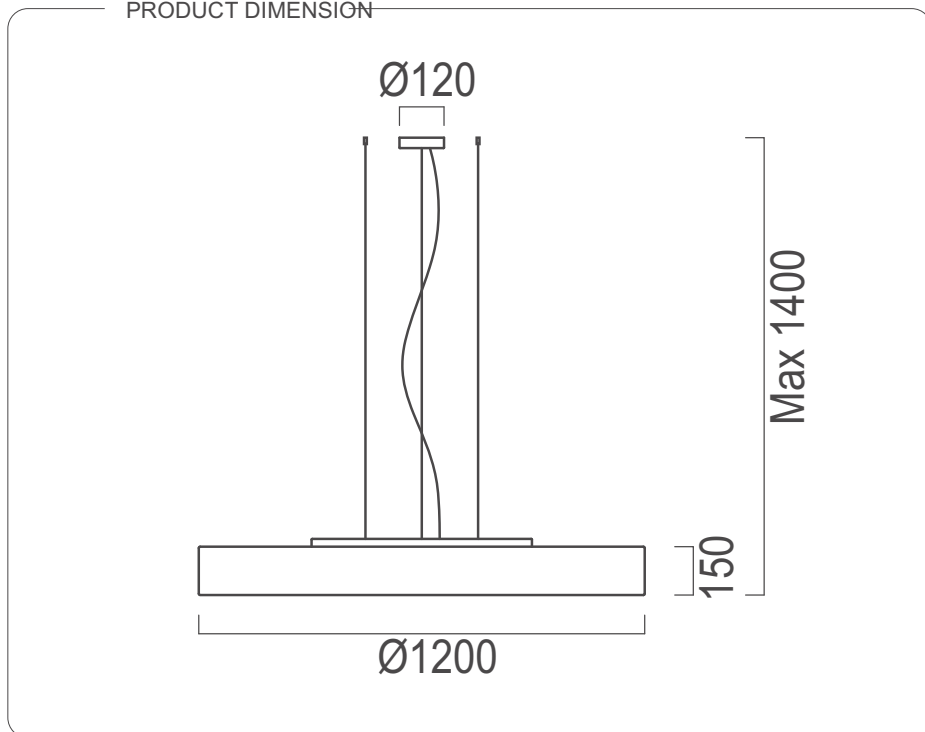


PRODUCT DIMENSION



Mirya

Pendant lamp

Ivory

cod. D2-1061

5x30W E26 



WARNING Read the general directions : **PART B**

AVERTISSEMENT Lire attentivement les conditions générales d'utilisation : **PARTIE B**

ADVERTENCIA Leer atentamente las condiciones generales de uso : **PARTE B**



Correct disposal of this product (Waste electrical & electronic equipment).
Comment éliminer ce produit (Déchets d'équipements électriques et électroniques).
Eliminación correcta de este producto (Material eléctrico y electrónico de descarte).



Protective class I : provided with grounding.
Protection I : avec mise à la terre.
Protección I: con la toma de tierra.



Protected against solid objects greater than 12 mm.
Protégé contre les objets solides de plus de 12 mm.
Protegido contra objetos sólidos superiores a 12 mm.

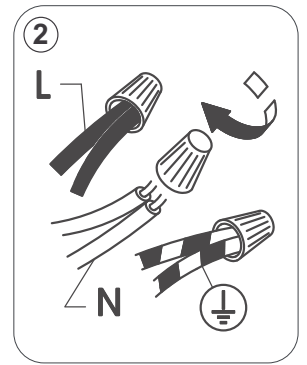
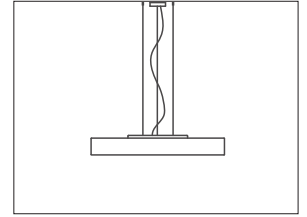
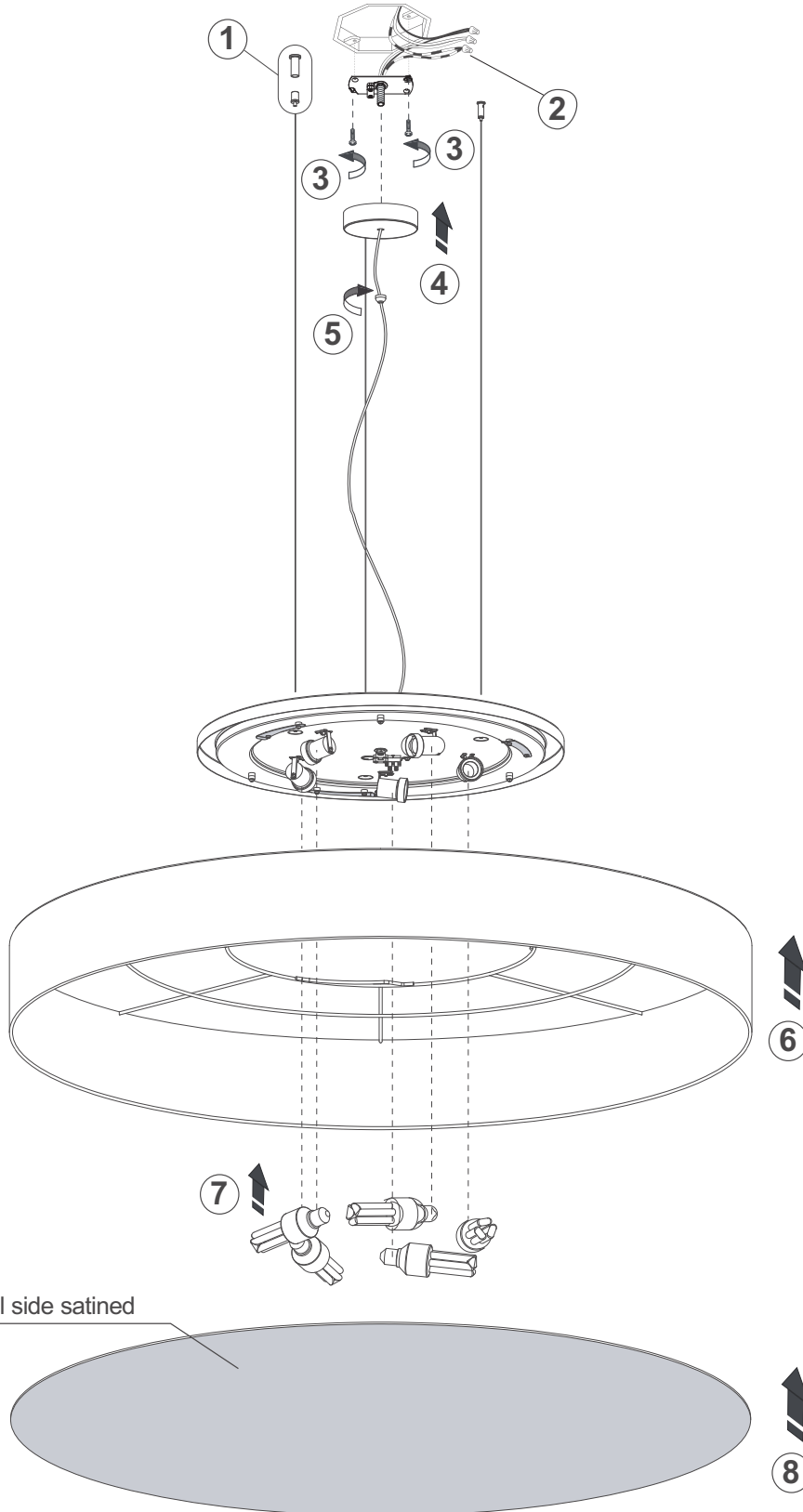


This fitting should only be installed in rooms where direct contact with water is impossible.
Cet équipement doit être installé dans des pièces hors de toute projection d'eau.
Este aparato solamente puede ser instalado en habitaciones donde el contacto directo con el agua sea imposible.

IMPORTANT: Follow the assembly instructions by reading the numerical progression.

Mirya

Pendant lamp



External side satined



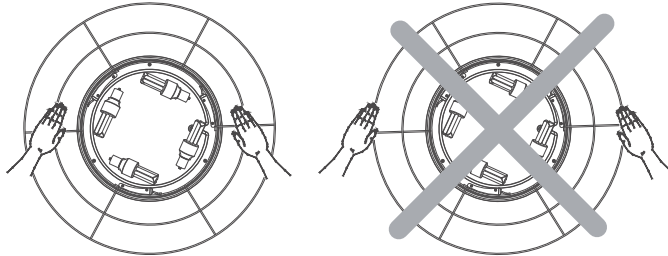
IMPORTANT: Follow the assembly instructions by reading the numerical progression.

Mirya

Pendant lamp

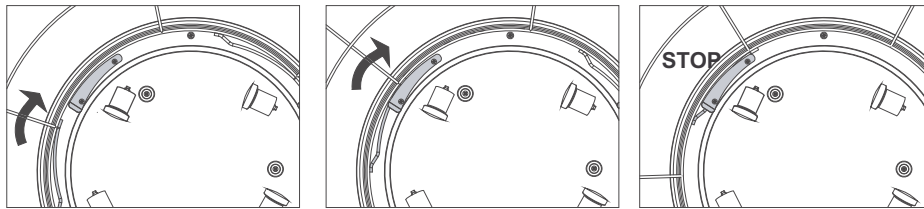
6

FIX THE DIFFUSER TO THE ELECTRIFIED TAKING CARE TO HANDLE FROM THE INTERNAL STRUCTURE AND NOT FROM THE EDGE OF FABRIC TO AVOID DAMAGING.

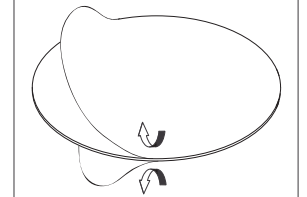


YES

NO

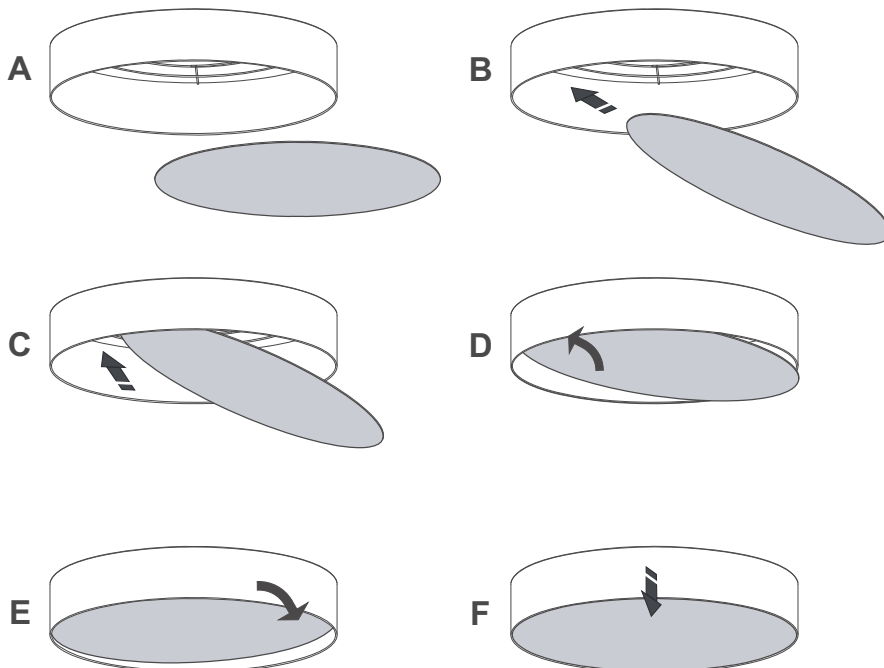


8



TAKE OFF THE PROTECTIVE FILM

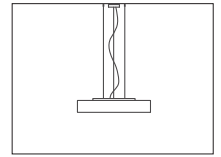
8



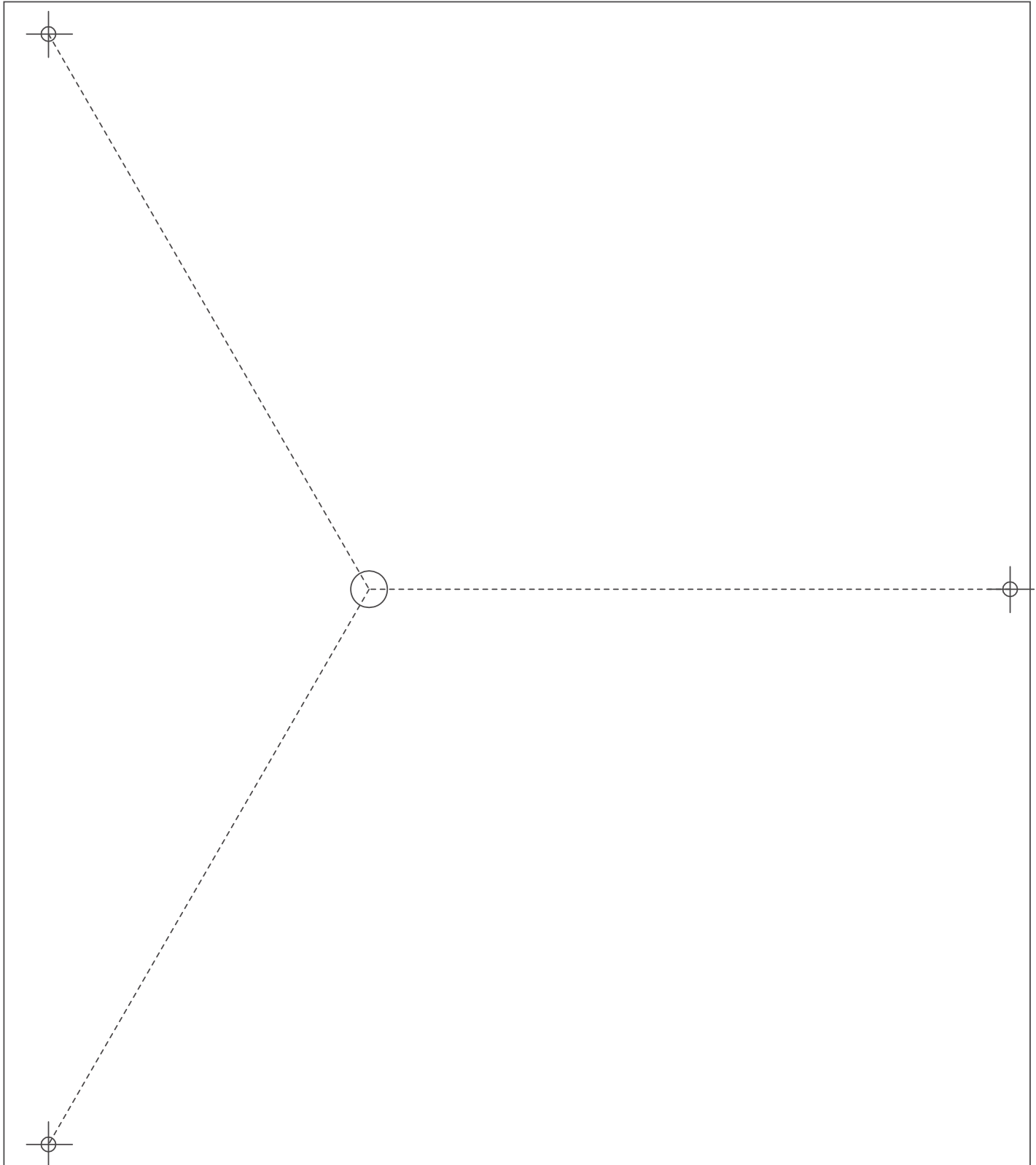
ACCESSORY SET

Mirya

Pendant lamp

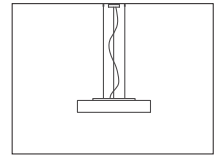


Drill guide for installation on ceiling



Mirya

Pendant lamp



OPERATION AND USE INSTRUCTIONS

ATTENTION: KEEP THESE INSTRUCTIONS

The safety of this fitting is only guaranteed with the use of the instruction.

Disconnect before any action on fitting.

Zaneen is not responsible for any damage to persons and/or property resulting from improper installation, misuse, or unauthorized modifications made to their products.

MAINTENANCE

Only clean the product using a soft cloth. To remove persistent marks use only a damp cloth and neutral soap

DON'T USE alcohol and/or solvent