

**DISCRETO** RECESSED  
INSTALLATION GUIDE

**ZANEEN**<sup>®</sup>

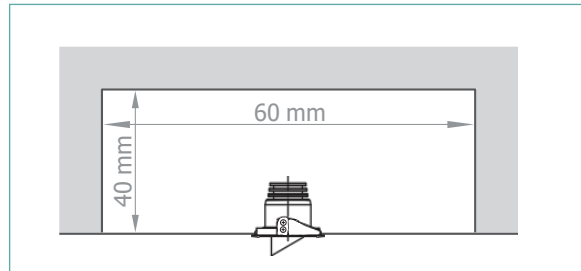
Certified for  
North  
American  
Standards



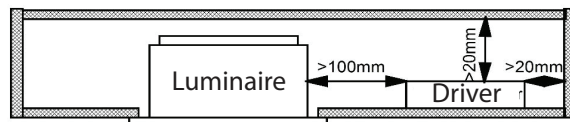
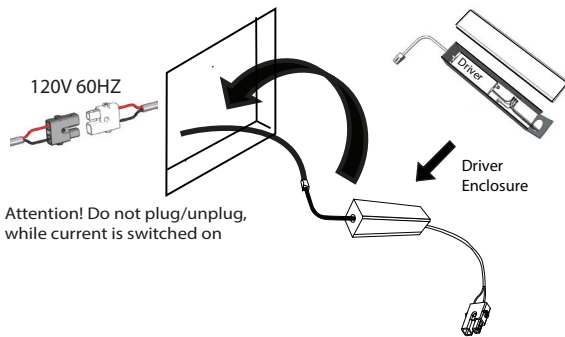
IP 40



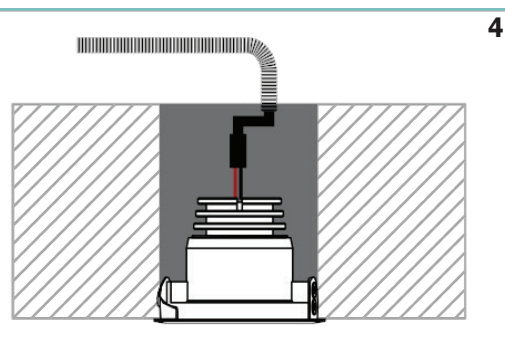
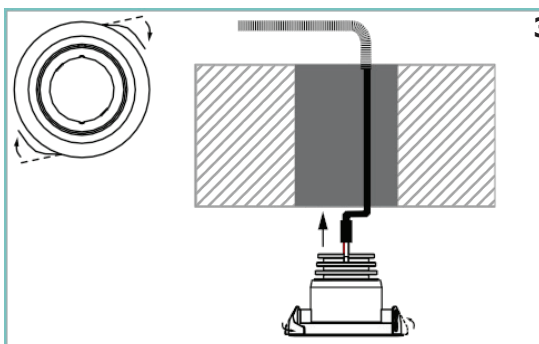
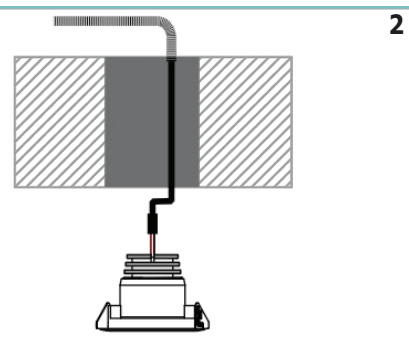
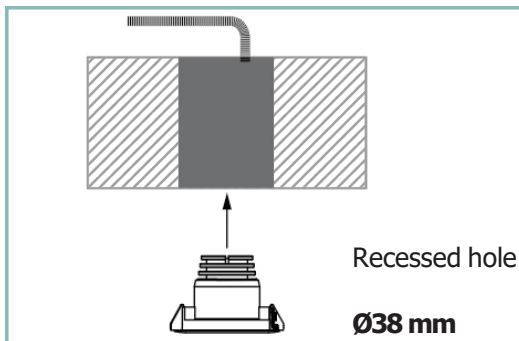
**Recessed hole**

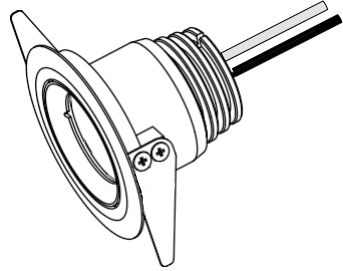


**Remote Installation**



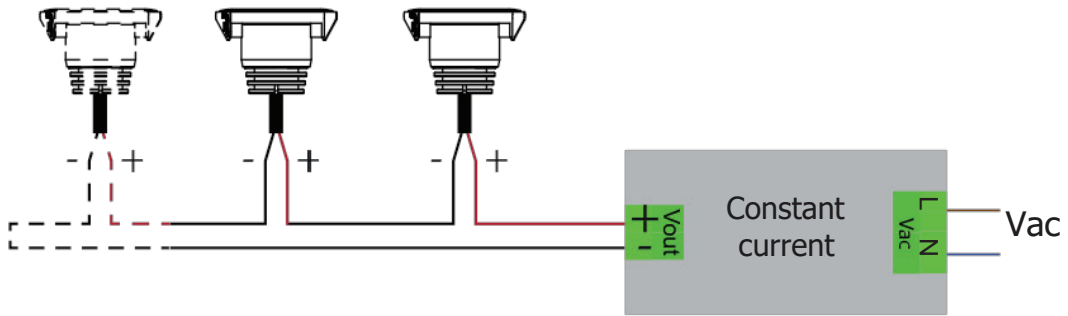
Remote driver:  
Remote Drivers should not exceed 30ft (9M)  
distance from the fixture  
North America Wire Gauge 18 awg  
Enclosure note:  
\*For Dry locations ONLY  
IP65 and higher IP rated enclosures  
not included, to be supplied by others.



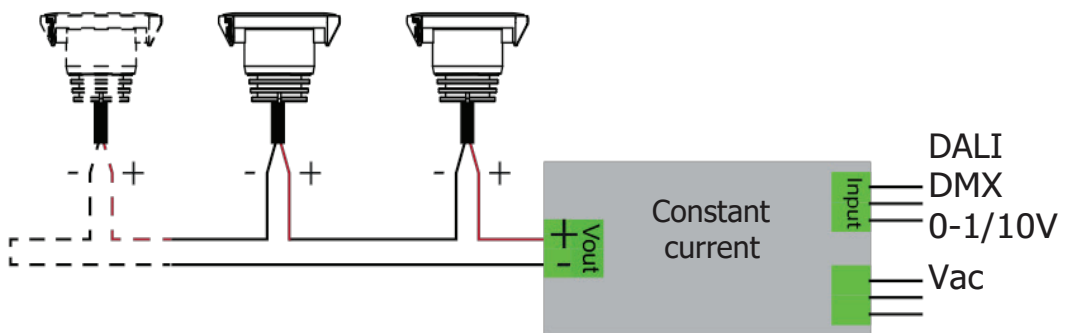


US  
+ White  
- Black

**ON/OFF**



**DIMMER 1-10**



## TECHNICAL DATA

Body:	Aluminium 6026
Finishes:	White RAL 9003 / Black RAL 9005
Installation:	Fixing springs
Power Supply Cables:	20 cm cable 2x0.5 mm <sup>2</sup>
Power Supply:	Constant current 500mA Max
Power Consumption:	2 Watt Max
CRI:	>90
Bin selection:	Binning free 2 step MacAdam's
Lumen Output:	140 lm
Working Temperature:	-20°C + 50°C
IP Rating:	IP40 / IP44 installed
Insulation Class:	III
Weight:	40 g
Optics:	10° / 23° / 43° / 70° / 10°x40°
Energy Rating:	A++
Colour Temperature:	2200K / 2700K / 3000K / 4000K
Lifetime LED:	100000 hrs
Photo biological risk:	RG0 / RG1

### WARNING!



Do not cover the light fixture, make sure it is guaranteed the cooling of the lamp.

Never connect or disconnect the fixture when the driver is powered.

The safety of the fitting is guaranteed by the correct use of the following instructions. It is therefore necessary to keep them.

When carrying out all assembly, maintenance and fixture replacement operations, make sure that the power is off.

The fitting should be installed by qualified installers to comply with the HD 384 standards.

**IMPORTANT**

Post Sales Support HQ 1-800-388-3382 support@zaneen.com



EN

- Installation and electrification must be carried out by a qualified electrician, only.
- Observe all relevant building codes and regulations.
- Prior to installation or repair: disconnect power; it is the installer's responsibility to ensure for all electrical, mechanical and thermal compatibility.
- The LED light source contained in this fixture shall only be replaced by Zaneen, or a person approved by Zaneen.
- Recommendations: Keep the instruction sheet(s) in the event of maintenance and/or disassembly.

Access detailed specification sheets and the warranty policy on the product page at [zaneen.com](http://zaneen.com).

FR

- L'installation et l'électrification doivent être effectuées uniquement par un électricien qualifié.
- Respectez tous les codes du bâtiment et réglementations en vigueur.
- Avant l'installation ou la réparation: débranchez l'alimentation électrique; Il incombe à l'installateur des'assurer de la compatibilité électrique, mécanique et thermique.
- La source de lumière LED contenue dans ce luminaire ne doit être remplacée que par Zaneen, ou une personne approuvée par Zaneen.
- Recommandations: Conservez la (les) fiche (s) d'instructions en cas de maintenance et / ou de démontage

Accéder aux fiches techniques détaillées et à la politique de garantie sur la page du produit sur [zaneen.com](http://zaneen.com)