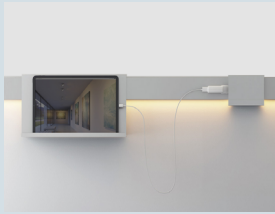


PROJECT	_____
TYPE	_____
NOTES	_____
QUANTITY	_____
DATE	_____



ARCHITECTURAL | NODO

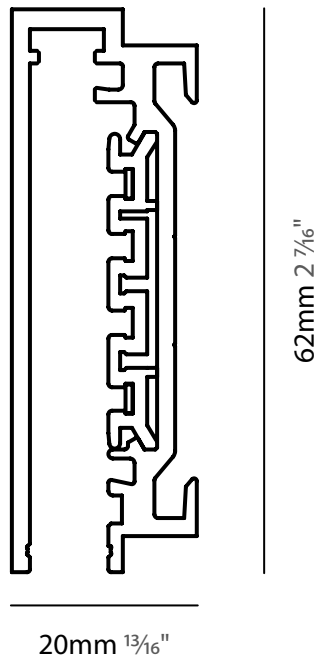
NODO is an innovative track system that adds flexibility, eliminates constraints, multiplies possibilities and cuts costs. NODO system is equipped with track lights, electrical receptacles, USB connections, and non-electrified accessories, which can all be repositioned wherever and whenever you want. The backlit 3-circuit track is customizable in length and can be run to any area of the room with the use of 90° joints and Smart-ON quick connectors, freeing your lighting design from any electrical constraints.



Accessories add functionality to the NODO system. HOOK, SHELF and ROLL HOLDER have been designed to organize the work space, freeing it from unnecessary bulk.



SYSTEM PROFILE



NODO MODULAR SYSTEM SPECIFICATION SHEET

PROJECT _____
 TYPE _____
 NOTES _____
 QUANTITY _____
 DATE _____

SYSTEM GUIDE

To make your product selection and complete system specification, proceed with the following: review system options, create your system code in the field below and include your quantity. For the inserts and components, use the field beside each product name. Submit to quotes@zaneen.com to receive a formal BOM and finalized model numbers.

EXAMPLE A7NODO-MOD-SYS-UNV-DN-SUR-1'-S-BLK

UPON REQUEST
 Additional Options _____
 _____ Color Temperature
 _____ Lumen Output/Wattages
 _____ Beam Angle
 _____ Special Inserts



SYSTEM BUILD CODE: A7NODO-MOD-SYS- qty

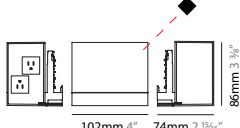
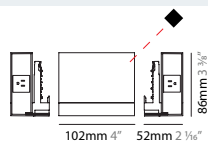
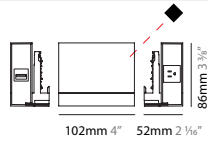
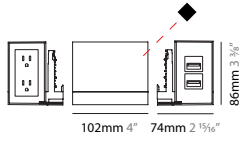
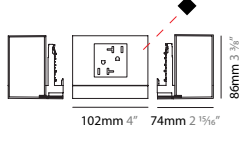
ELECTRICAL	Voltage	Dimming	Circuit
	UNV - 120/277V	DN - Non Dim	EMCIR - Emergency Circuit
	120 - 120V	DV - 0-10V (100-1%)	
	347 - 347V	DD - DALI (100-1%)	

LAYOUT	Mounting Location	Fixture Head Spacing	Run Shapes*	System Finish
	SUR - Wall/Ceiling SUS - Suspended	1' - on center 2' - on center 4' - on center CUS (XX) - Custom	S _____' Straight L _____'x_____' LV _____'x_____' <small>Wall/Ceiling</small> U _____'x_____' R _____'x_____' <small>Rectangle</small> PAT - Custom Pattern <small>(Consult factory with drawings)</small>	Profile _____ (3 colors) <small>See page 8 for color options and use 3 digit letters to indicate your choices</small>

*The closest possible length will be provided based on the standard modular lengths available (1000mm 39 3/8", 2000mm 78 3/4", 3000mm 118 1/8").

INSERTS	NODO BOB	INSERT BUILD CODE EXAMPLE: A7T00025-DN-27K-BLK-30	FINISHES OPTIONS: See page 8 for color options and use 3 digit letters to indicate your choices						
	BOB ADJUSTABLE	A7T00025-	qty						
	Wattage: 11.2W 	Dimming DN - Non Dim DV - 0-10V	CCT - 97 CRI 27K - 2700K 30K - 3000K	Finish _____ (2 colors - BLK/WHI)	Lens 30 - 30° 40 - 40° 60 - 60° OV - Oval RL - Rectangle WW - Wallwash	Delivered Lumen (lm) <table border="1"> <tr> <td>2700K</td> <td>1800</td> </tr> <tr> <td>3000K</td> <td>1900</td> </tr> </table>	2700K	1800	3000K
2700K	1800								
3000K	1900								

PROJECT	_____
TYPE	_____
NOTES	_____
QUANTITY	_____
DATE	_____

NODO BOX		FINISHES OPTIONS: See page 8 for color options and use 3 digit letters to indicate your choices		
INSERTS	2x3 PRONG - SINGLE SIDED	A7T00033-	qty	
	Max load per socket: 2000W	Finish		
		◆ ____ (3 colors) Note: White surface with white sides, Satin silver surface with white sides, Black surface with black sides.		
	1x3 PRONG - DOUBLE SIDED	A7T00046-	qty	
	Max load per socket: 2000W	Finish		
		◆ ____ (3 colors) Note: White surface with white sides, Satin silver surface with white sides, Black surface with black sides.		
1xUSB PORT + 1x3 PRONG	A7T00047-	qty		
Max load per socket: 2000W	Finish			
	◆ ____ (3 colors) Note: White surface with white sides, Satin silver surface with white sides, Black surface with black sides.			
2xUSB PORT + 2x3 PRONG	A7T00049-	qty		
Max load per socket: 2000W	Finish			
	◆ ____ (3 colors) Note: White surface with white sides, Satin silver surface with white sides, Black surface with black sides.			
2xGFCI RECEPTACLES	A7T00050-	qty		
Max load per socket: 2000W	Finish			
	◆ ____ (3 colors) Note: White surface with white sides, Satin silver surface with white sides, Black surface with black sides.			

PROJECT	_____
TYPE	_____
NOTES	_____
QUANTITY	_____
DATE	_____

INSERTS

NODO MICROLED

FINISHES OPTIONS:

See page 8 for color options and use 3 digit letters to indicate your choices

MICROLED 1000	A7900040-	qty	
Wattage: 11W	Dimming	Notes	
	DN - Non Dim DV - 0-10V	When the track is suspended from the ceiling, the LED light is in a Up Light position for indirect lighting. When the track is fixed on a horizontal or vertical surface, the LED light is placed in the Side Light position for diffused lighting on the surface. Satin Silver finish.	
		3000K	1100
MICROLED 2000	A7900041-	qty	
Wattage: 22W	Dimming	Notes	
	DN - Non Dim DV - 0-10V	When the track is suspended from the ceiling, the LED light is in a Up Light position for indirect lighting. When the track is fixed on a horizontal or vertical surface, the LED light is placed in the Side Light position for diffused lighting on the surface. Satin Silver finish.	
		3000K	2200
MICROLED 3000	A7900042-	qty	
Wattage: 33W	Dimming	Notes	
	DN - Non Dim DV - 0-10V	When the track is suspended from the ceiling, the LED light is in a Up Light position for indirect lighting. When the track is fixed on a horizontal or vertical surface, the LED light is placed in the Side Light position for diffused lighting on the surface. Satin Silver finish.	
		3000K	3300

NODO MINI

MINI	A7T00046-	qty	
Wattage: 9W	Dimming	Finish	
	DN - Non Dim DV - 0-10V	◆ _____ (2 colors - BLK/WHI)	
		CRI 97 3000K	740

PROJECT	_____
TYPE	_____
NOTES	_____
QUANTITY	_____
DATE	_____

INSERTS

NODO NUO

FINISHES OPTIONS:

See page 8 for color options and use 3 digit letters to indicate your choices

NUO RIGHT		A7T00007-		qty	
Wattage: 4.5W		Dimming		Delivered Lumen (lm)	
		DN - Non Dim DV - 0-10V		◆ _____ (3 colors)	
				CRI 90 3000K	400

NUO LEFT		A7T00008-		qty	
Wattage: 4.5W		Dimming		Delivered Lumen (lm)	
		DN - Non Dim DV - 0-10V		◆ _____ (3 colors)	
				CRI 90 3000K	400

NODO ZOOM

ZOOM		A7T00045-		qty	
Wattage: 13W		Dimming		Delivered Lumen (lm)	
		DN - Non Dim DV - 0-10V		◆ _____ (2 colors - BLK/WHI)	
		CCT - 97 CRI		ADJUSTABLE OPTIC 12°- 46°	
		27K -2700K 30K - 3000K		2700K	831
				3000K	878

PROJECT	_____
TYPE	_____
NOTES	_____
QUANTITY	_____
DATE	_____

FINISHES OPTIONS:
See page 8 for color options and use 3 digit letters to indicate your choices

COMPONENTS

PLUG WIRING RIGHT	A7900030-	qty
	Finish ◆ _____ (3 colors)	Description Allows you to create installations even in the absence of a power point on the wall. All you need is a nearby power outlet and, through the supplied 2m electric cable, the system will be ready for use.
PLUG WIRING LEFT	A7900031-	qty
	Finish ◆ _____ (3 colors)	Description Allows you to create installations even in the absence of a power point on the wall. All you need is a nearby power outlet and, through the supplied 2m electric cable, the system will be ready for use.

ACCESSORIES

SHELF	A7900017-	qty
	Finish ◆ _____ (3 colors)	Description Shelf for objects arranged for the placement of a tablet into two different inclinations. Use is only possible with the track mounted on the wall. Maximum capacity 1.5kg.
PAPER TOWEL ROLL HOLDER	A7900018-	qty
	Finish ◆ _____ (3 colors)	Description Shelf with opening for housing paper towels or dish cloth. Use is only possible with the track mounted on the wall.
HOOK	A7900019-	qty
5 Pieces 	Finish ◆ _____ (3 colors)	Description To be used only with track mounted on the wall. Maximum capacity 300gr.
LOCKING DEVICE	A7900020-	qty
5 Pieces 	Description Prevents movement of Nodo Box, Nuo, and Bob from possible removal from system.	

PROJECT	_____
TYPE	_____
NOTES	_____
QUANTITY	_____
DATE	_____

SYSTEM SUMMARY

System

Type

Surface/Suspension
Rated for Dry Locations Ceiling and Wall Mounted

Approval Status

Certified to North American Standards

Emission

Refer to emission icon beside each light insert and symbol legend for descriptions

Profile

Measurement

w 20mm (13/16") x ht. 62mm (2 7/16")

Housing

Anodized extruded aluminum profile up to 3000mm (9' 10 1/16") long profiles are joined by coupler to ensure uniform appearance and easy installation

Electrical

Connections

Luminaries are pre-wired by factory

Power Feed

22mm diameter hole located on endcap.

LED Driver

Non-Dimming - Integrated with inserts.
Electronic Class II driver, 120V
Dimming Driver - DP Phase Remote Driver.

Emergency Inverter Compatible

To be installed remotely, and provided by others
It can be located up to 250m away from the fixture

Emergency circuit wiring is available upon request (Isolated track with dedicated driver used for emergency circuit will connect to emergency battery pack - supplied by others)

General

Features

It is possible to install the system to the ceiling, wall or fastened to the work surface. When the track is installed horizontally on the wall the opened side must face down.

The flexibility of the Nodo system translates into economic advantages due to the limitation of masonry work and the reduction of design limits offered by the freedom to move, add and remove elements as needed.

The three standard color finish options are satin silver, black, and white. As a custom option, track and modules can be treated with different finishing techniques: special anodizing, varnishing, veneer, sublimation and application of 3M™ DI-NOC™ Architectural Finishes.

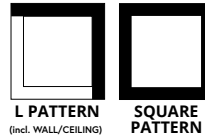
Custom Requests and Additional Options

Availability depends by insert, system, and configuration
Must consult factory and allow up to 5 business days for an answer

Special beam angles, special finish colors, light inserts with different outputs

Configuration

Consult factory for patterns or custom designs
Provide configuration drawings



*Shop drawings provided upon receiving purchase order

Warranty

ZANEEN provides a limited warranty from date of purchase to original purchaser

LED Inserts: 5 year tested for 50,000 hours at 70% lumen output (L70)

LED Driver: 5 year

Non-Electrical Components: 1 year

*Check boxes to complete specification order and submit to quotes@zaneen.com to receive a formal BOM and a finalized model number

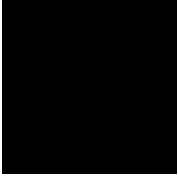
*In a constant effort to supply the best product, we reserve the right to change specifications or materials without notice. The most recent specification sheets are found at zaneen.com

PROJECT _____
TYPE _____
NOTES _____
QUANTITY _____
DATE _____

FINISH COLORS



Black - **BLK**



Satin Silver - **SSR**



White - **WHI**



LEGEND

	floor-mounted		pivotal		special LED (upon request) RGB, RGBW, tunable, gold+, meat+, art+, fashion+
	wall and ceiling: recessed and surface mounted		rotating		warm dim / natural dimming LED
	ceiling-mounted and wall-mounted		illuminate tilted		rechargeable battery powered
	wall-mounted		color of suspension cable		fixture with natural vivid LED (upon request)
	omni-directional light distribution		length of suspension cable		color rendering index
	direct light distribution		reflector degree selection		color temperature
	direct/indirect light distribution		super spot		lumen (luminous flux)
	indirect light distribution		lens		efficacy (lumens per watt)
	asymmetric light distribution		lens pack		Unified Glare Rating (UGR) range from 5-40
	aura light distribution		shine ring		marine grade (AISI 316 stainless steel)
	round wall or ceiling cut-out		integrated shine ring with diffuser		walk on
	square wall or ceiling cut-out		free individual colors 01-29		drive on
	the supplied jig specifies the cutout dimensions		individual colors: 00 (free of charge), 01-25 (extra charge)		Dark Sky Compliance
	minimum distance (meters) lamp - object		luminaire part to be colored (F1)		Americans with Disabilities Act (less than 4" off the wall located between 27"-84" from floor)
	recessed depth		luminaire part to be colored (F2)		lamp protected against explosion
	ceiling thickness in mm		luminaire part to be colored (F3)		blown glass using traditional methods by master glass blower
	ceiling thickness selection		luminaire part to be colored (F4)		acoustic material
	dimmable DP (phase), DV (0-10V), DD (dali), DS (step-dim)		luminaire part to be colored (F5)		protection class I, protection insulation
	included or excluded LED driver/transformer/control gear		color of 3-circuit adaptor		protection class II, protection insulation
	separately switchable		indirect diffuser		ETL Certified to UL and CSA Standards
	sensor		direct diffuser		UL Certified to UL and CSA Standards
	remote control		ball-proof (upon request)		CSA Certified to UL and CSA Standards
	available upon request		accessory		Certified for North American Standards

IP RATING

	protected against ingress of solid bodies greater than 12.5mm (finger)
	protected against ingress of solid bodies greater than 2.5mm protected against sprays of water up to 60 degrees from the vertical (rain)
	protected against ingress of solid bodies greater than 1mm (wire) no protection against the ingress of moisture
	protected against ingress of solid bodies greater than 1mm (wire) protected against sprays of water up to 60 degrees from the vertical (rain)
	protected against ingress of solid bodies greater than 1mm (wire) protected against water splashed from all directions
	protected against limited ingress of dust (wet rooms/covered outdoor areas) protected against water splashed from all directions
	protected against ingress of dust protected against jets of water
	protected against ingress of dust protected against powerful jets of water or heavy seas
	protected against ingress of dust protected against immersion of water between 15cm - 1m for 30 minutes
	protected against ingress of dust protected against immersion of water under pressure for long periods

IK RATING

	protected against 0.14 joules impact (equivalent to 0.25kg mass dropped from 56mm above the surface)
	protected against 0.2 joules impact (equivalent to 0.25kg mass dropped from 80mm above the surface)
	protected against 0.35 joules impact (equivalent to 0.25kg mass dropped from 140mm above the surface)
	protected against 0.5 joules impact (equivalent to 0.25kg mass dropped from 200mm above the surface)
	protected against 0.7 joules impact (equivalent to 0.25kg mass dropped from 280mm above the surface)
	protected against 1 joules impact (equivalent to 0.25kg mass dropped from 400mm above the surface)
	protected against 2 joules impact (equivalent to 0.5kg mass dropped from 400mm above the surface)
	protected against 5 joules impact (equivalent to 1.7kg mass dropped from 300mm above the surface)
	protected against 10 joules impact (equivalent to 5.0kg mass dropped from 200mm above the surface)
	protected against 20 joules impact (equivalent to 5.0kg mass dropped from 400mm above the surface)

WIRING DIAGRAMS

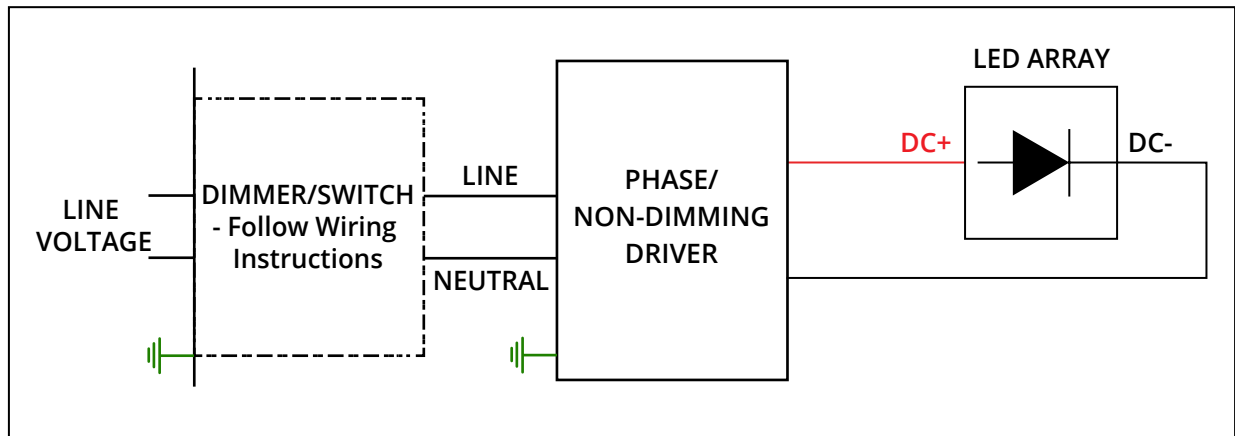
ALL ZANEEN FIXTURES ARE MANUFACTURED TO NORTH AMERICAN ELECTRICAL STANDARDS

Post Sales Support
HQ 1-800-388-3382 X 625 support@zaneen.com

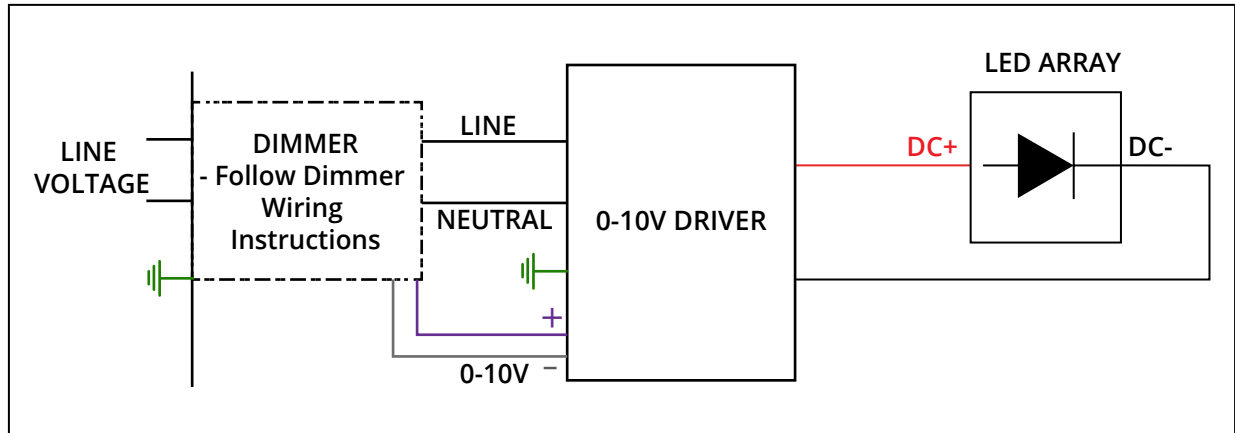
IMPORTANT

- Do NOT connect directly to line voltage
- There is a minimum and maximum load per driver (See fixture and driver specifications).
- Fixture MUST be connected to LED driver, prior to turning power on

PHASE/NON-DIMMING WIRING DIAGRAM



0-10V DIMMING WIRING DIAGRAM



PROJECT	_____
TYPE	_____
NOTES	_____
QUANTITY	_____
DATE	_____

Insert custom drawing here or attach with additional pages

