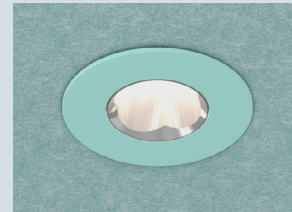


PROJECT	_____
TYPE	_____
NOTES	_____
QUANTITY	_____
DATE	_____



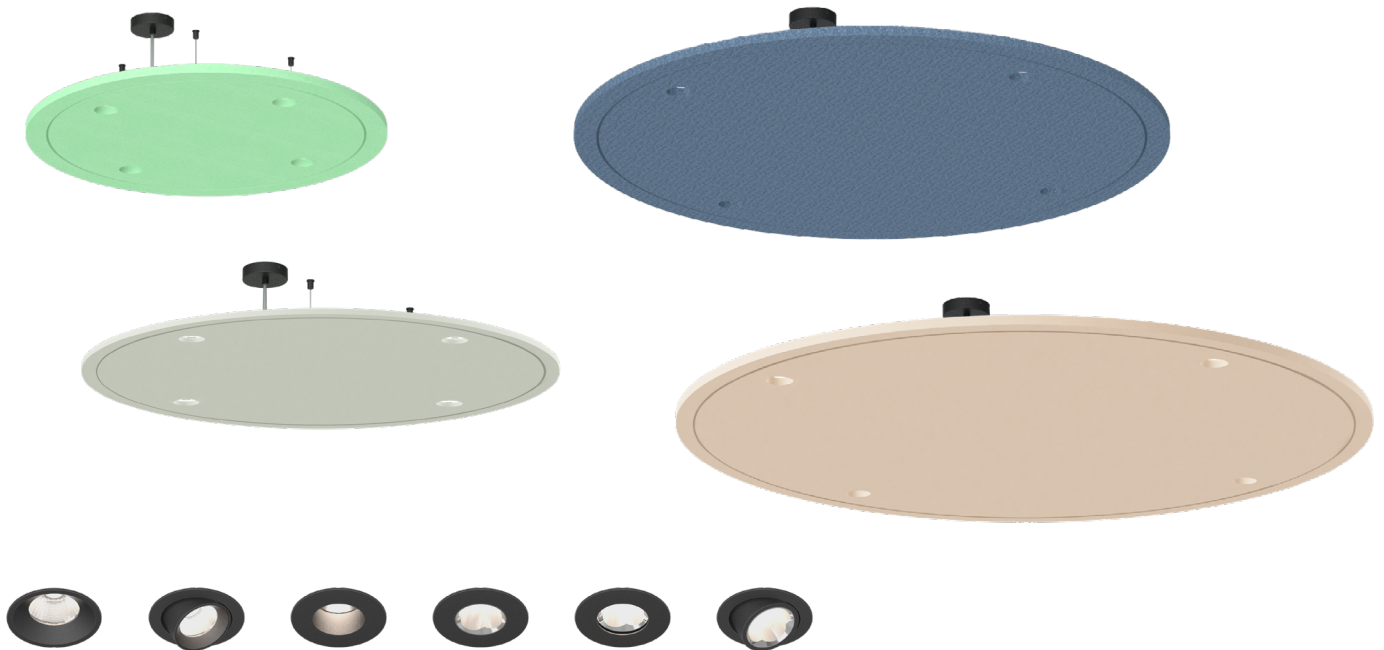
ARCHITECTURAL | ORBIT

ORBIT is a perfectly rounded acoustic panel that offers the ultimate freedom to incorporate your choice of downlights, including the OIKO PRO and INVANDER COMPACT. Seamlessly merging acoustic sophistication with dynamic lighting, Orbit empowers you to craft captivating lighting scenes while enjoying effective sound absorption and diffusion. Create an ideal ambiance for work and leisure on your terms with a wide array of standard finishes - 32 acoustic panel colors and 28 color finishes for the downlights to create the ideal color combination for a cohesive design. Upon request, it's possible to supply different diameters of the acoustic panels and location of the spots.



The Oiko Pro downlight utilizes advanced Bartenbach reflectors for precise beam angles, ensuring complete light control and perfect distribution.

SYSTEM OVERVIEW



ORBIT MODULAR SYSTEM SPECIFICATION SHEET

PROJECT _____
 TYPE _____
 NOTES _____
 QUANTITY _____
 DATE _____

SYSTEM GUIDE

To make your product selection and complete system specification, proceed with the following:
 review system options, create your system code in the field below and include your quantity.
 For the panels/inserts, use the field beside each product name.
 Submit to quotes@zaneen.com to receive a formal BOM and finalized model numbers.



UPON REQUEST
 Additional Options _____
 Quantity/Placement of downlights _____
 Color Temperature _____
 Special LED _____
 RGB-W _____

EXAMPLE A3ORBIT-MOD-UNV-DN-01-01-2M

SYSTEM BUILD CODE: A3ORBIT-MOD- qty

ELECTRICAL	Voltage	Dimming	Circuit
	UNV - 120/277V	DN - Non Dim	EMCIR - Emergency Circuit
	120 - 120V	DP - Phase Dim (Triac/ELV)	
	347 - 347V	DV - 0-10V (100-1%)	
	DD - DALI (100-1%)		

LAYOUT	System Finishes	Cable Length
	Installation <input type="checkbox"/> _____ Power Feed <input type="checkbox"/> _____ <input type="checkbox"/> (28 colors) Clip <input type="checkbox"/> _____ 	2M - 2000mm 78 3/4" 6M - 6000mm 236 1/4"

ORBIT PANELS		BUILD CODE EXAMPLE: A300386-ANC	FINISHES OPTIONS: See page 9 for acoustic color options and use 3 digit letters to indicate your choice
MODULES	ORBIT Ø1000 - 4 SPOTS 	A300382- qty Finish <input type="checkbox"/> _____ (32 colors -pg.9)	
	ORBIT Ø1200 - 4 SPOTS 	A300383- qty Finish <input type="checkbox"/> _____ (32 colors -pg.9)	

PROJECT	_____
TYPE	_____
NOTES	_____
QUANTITY	_____
DATE	_____

ORBIT PANELS		FINISHES OPTIONS: See page 9 for acoustic color options and use 3 digit letters to indicate your choice	
MODULES	ORBIT Ø1500 - 4 SPOTS 	A300384-	qty
	Finish ◆))) _____ (32 colors -pg.9)		
MODULES	ORBIT Ø1800 - 4 SPOTS 	A300385-	qty
	Finish ◆))) _____ (32 colors -pg.9)		

INVADER COMPACT		FINISHES OPTIONS: See page 10 for color options and use 2 digit numbers to indicate your choices																								
INSERTS	INVADER COMPACT Wattage: 12W 	A35811-					qty																			
	Dimming DN - Non Dim DP - Phase Dim DV - 0-10V		CCT - 90 CRI 27K - 2700K 30K - 3000K 35K - 3500K 40K - 4000K	Finish ◆ _____ (28 colors)	Reflector 18 - 18° 36 - 36° 56 - 56°	Optics 00 - No optic 01 - Linear Spread 02 - Spread 03 - Honeycomb	Delivered Lumen (lm) <table border="1"> <thead> <tr> <th>CCT</th> <th>18°</th> <th>36°</th> <th>56°</th> </tr> </thead> <tbody> <tr> <td>2700K</td> <td>1012</td> <td>1010</td> <td>1004</td> </tr> <tr> <td>3000K</td> <td>1059</td> <td>1057</td> <td>1051</td> </tr> <tr> <td>3500K</td> <td>1098</td> <td>1096</td> <td>1090</td> </tr> <tr> <td>4000K</td> <td>1123</td> <td>1120</td> <td>1141</td> </tr> </tbody> </table>	CCT	18°	36°	56°	2700K	1012	1010	1004	3000K	1059	1057	1051	3500K	1098	1096	1090	4000K	1123	1120
CCT	18°	36°	56°																							
2700K	1012	1010	1004																							
3000K	1059	1057	1051																							
3500K	1098	1096	1090																							
4000K	1123	1120	1141																							
INSERTS	INVADER COMP. NATURAL DIM Wattage: 11W 	A35812-					qty																			
	Finish ◆ _____ (28 colors)		Reflector 16 - 16° 36 - 36° 56 - 56°	Optics 00 - No optic 01 - Linear Spread 02 - Spread 03 - Honeycomb	Delivered Lumen (lm) <table border="1"> <thead> <tr> <th colspan="2">NATURAL DIM</th> </tr> </thead> <tbody> <tr> <td>16°</td> <td>894</td> </tr> <tr> <td>36°</td> <td>893</td> </tr> <tr> <td>56°</td> <td>898</td> </tr> </tbody> </table>	NATURAL DIM		16°	894	36°	893	56°	898													
NATURAL DIM																										
16°	894																									
36°	893																									
56°	898																									

PROJECT	_____
TYPE	_____
NOTES	_____
QUANTITY	_____
DATE	_____

INSERTS

INVADER COMPACT ADJUSTABLE

FINISHES OPTIONS:

See page 10 for color options and use 2 digit numbers to indicate your choices

INVADER COMP. ADJUSTABLE	A35813-				qty			
Wattage: 12W	Dimming	CCT - 90 CRI	Finish	Reflector	Delivered Lumen (lm)			
	DN - Non Dim	27K -2700K	◆ _____	22 - 22°	CCT	22°	38°	48°
	DP - Phase Dim	30K - 3000K	▲ _____	38 - 38°	2700K	821	759	746
	DV - 0-10V	35K - 3500K	● _____	48 - 48°	3000K	860	794	781
		40K - 4000K	(28 colors)		3500K	892	823	810
					4000K	911	842	828

INVADER COMP. ADJ. NATURAL DIM	A35814-				qty			
Wattage: 11W	Finish		Reflector	Delivered Lumen (lm)				
	◆ _____		24 - 24°	NATURAL DIM				
	▲ _____		40 - 40°	24°	862			
	● _____		54 - 54°	40°	840			
	(28 colors)			54°	825			

OIKO PRO ROUND

OIKO PRO 34°	A35867-				qty			
Wattage: 15.1W	Dimming	CCT - 90 CRI	Finish	Optics	Delivered Lumen (lm)			
	DN - Non Dim	27K -2700K	◆ _____	00 - No optic	CCT	34°		
	DP - Phase Dim	30K - 3000K	(28 colors)	01 - Linear Spread	2700K	1370		
	DV - 0-10V	35K - 3500K		02 - Spread	3000K	1377		
		40K - 4000K		03 - Honeycomb	3500K	1442		
					4000K	1455		

OIKO PRO 36° TW	A35871-				qty			
Wattage: 14.4W	Finish		Optics	Delivered Lumen (lm)				
	◆ _____		00 - No optic	TUNABLE WHITE				
	(28 colors)		01 - Linear Spread	2700K-6500K (MAX)				
			02 - Spread	36°	1129			
			03 - Honeycomb					

OIKO PRO 50°	A35868-				qty			
Wattage: 15.1W	Dimming	CCT - 90 CRI	Finish	Optics	Delivered Lumen (lm)			
	DN - Non Dim	27K -2700K	◆ _____	00 - No optic	CCT	50°		
	DP - Phase Dim	30K - 3000K	(28 colors)	01 - Linear Spread	2700K	1455		
	DV - 0-10V	35K - 3500K		02 - Spread	3000K	1462		
		40K - 4000K		03 - Honeycomb	3500K	1531		
					4000K	1545		

PROJECT	_____
TYPE	_____
NOTES	_____
QUANTITY	_____
DATE	_____

INSERTS	OIKO PRO ROUND		FINISHES OPTIONS: See page 10 for color options and use 2 digit numbers to indicate your choices			
		OIKO PRO 52° TW	A35872-	qty		
Wattage: 14.4W		Finish	Optics	Delivered Lumen (lm)		
◆ _____ (28 colors)		00 - No optic 01 - Linear Spread 02 - Spread 03 - Honeycomb	TUNABLE WHITE 2700K-6500K (MAX)	52° 1240		
	OIKO PRO 60°	A35869-	qty			
	Wattage: 15.1W	Dimming	CCT - 90 CRI	Finish	Optics	Delivered Lumen (lm)
	DN - Non Dim DP - Phase Dim DV - 0-10V	27K -2700K 30K - 3000K 35K - 3500K 40K - 4000K	◆ _____ (28 colors)	00 - No optic 01 - Linear Spread 02 - Spread 03 - Honeycomb	CCT 60° 2700K 1549 3000K 1556 3500K 1630 4000K 1645	
	OIKO PRO 62° TW	A35873-	qty			
	Wattage: 14.4W	Finish	Optics	Delivered Lumen (lm)		
	◆ _____ (28 colors)	00 - No optic 01 - Linear Spread 02 - Spread 03 - Honeycomb	TUNABLE WHITE 2700K-6500K (MAX)	62° 1381		
	OIKO PRO SUPERSPOT	A35866-	qty			
	Wattage: 16W	Dimming	CCT - 90 CRI	Finish	Delivered Lumen (lm)	
	DN - Non Dim DP - Phase Dim DV - 0-10V	27K -2700K 30K - 3000K 35K - 3500K 40K - 4000K	◆ _____ (28 colors)	CCT 14° 2700K 1067 3000K 1150 3500K 1217 4000K 1220		

PROJECT	_____
TYPE	_____
NOTES	_____
QUANTITY	_____
DATE	_____

OIKO PRO ROUND HIGH OUTPUT

FINISHES OPTIONS:

See page 10 for color options and use 2 digit numbers to indicate your choices

INSERTS

OIKO PRO HO 14°		A35837-			qty		
Wattage: 21W		Dimming	CCT - 90 CRI	Finish	Delivered Lumen (lm)		
	DN - Non Dim	27K -2700K	◆ ____ (28 colors)		CCT	14°	
	DP - Phase Dim	30K - 3000K			2700K	1278	
	DV - 0-10V	35K - 3500K			3000K	1377	
		40K - 4000K			3500K	1459	
					4000K	1461	
OIKO PRO HO 34°		A35838-			qty		
Wattage: 23.6W		Dimming	CCT - 90 CRI	Finish	Optics	Delivered Lumen (lm)	
	DN - Non Dim	27K -2700K	◆ ____ (28 colors)		00 - No optic	CCT	34°
	DP - Phase Dim	30K - 3000K			01 - Linear Spread	2700K	1936
	DV - 0-10V	35K - 3500K			02 - Spread	3000K	2005
		40K - 4000K			03 - Honeycomb	3500K	2098
						4000K	2118
OIKO PRO HO 50°		A35839-			qty		
Wattage: 23.6W		Dimming	CCT - 90 CRI	Finish	Optics	Delivered Lumen (lm)	
	DN - Non Dim	27K -2700K	◆ ____ (28 colors)		00 - No optic	CCT	50°
	DP - Phase Dim	30K - 3000K			01 - Linear Spread	2700K	2055
	DV - 0-10V	35K - 3500K			02 - Spread	3000K	2128
		40K - 4000K			03 - Honeycomb	3500K	2228
						4000K	2248
OIKO PRO HO 60°		A35840-			qty		
Wattage: 23.6W		Dimming	CCT - 90 CRI	Finish	Optics	Delivered Lumen (lm)	
	DN - Non Dim	27K -2700K	◆ ____ (28 colors)		00 - No optic	CCT	60°
	DP - Phase Dim	30K - 3000K			01 - Linear Spread	2700K	2189
	DV - 0-10V	35K - 3500K			02 - Spread	3000K	2267
		40K - 4000K			03 - Honeycomb	3500K	2372
						4000K	2394
OIKO PRO HO 16° IP54		A35849-			qty		
Wattage: 21W		Dimming	CCT - 90 CRI	Finish	Delivered Lumen (lm)		
	DN - Non Dim	27K -2700K	◆ ____ (28 colors)		CCT	16°	
	DP - Phase Dim	30K - 3000K			2700K	1218	
	DV - 0-10V	35K - 3500K			3000K	1312	
		40K - 4000K			3500K	1391	
					4000K	1392	

PROJECT	_____
TYPE	_____
NOTES	_____
QUANTITY	_____
DATE	_____

INSERTS

OIKO PRO ROUND HIGH OUTPUT

FINISHES OPTIONS:

See page 10 for color options and use 2 digit numbers to indicate your choices

	OIKO PRO HO 36° IP54	A35850-	qty		
	Wattage: 23.6W	Dimming	CCT - 90 CRI	Finish	Delivered Lumen (lm)
		DN - Non Dim	27K -2700K	◆ ____	CCT 36°
		DP - Phase Dim	30K - 3000K	(28 colors)	2700K 1873
		DV - 0-10V	35K - 3500K		3000K 1939
			40K - 4000K		3500K 2030
				4000K 2049	

	OIKO PRO HO 50° IP54	A35851-	qty		
	Wattage: 23.6W	Dimming	CCT - 90 CRI	Finish	Delivered Lumen (lm)
		DN - Non Dim	27K -2700K	◆ ____	CCT 50°
		DP - Phase Dim	30K - 3000K	(28 colors)	2700K 1957
		DV - 0-10V	35K - 3500K		3000K 2027
			40K - 4000K		3500K 2121
				4000K 2141	

	OIKO PRO HO 60° IP54	A35852-	qty		
	Wattage: 23.6W	Dimming	CCT - 90 CRI	Finish	Delivered Lumen (lm)
		DN - Non Dim	27K -2700K	◆ ____	CCT 60°
		DP - Phase Dim	30K - 3000K	(28 colors)	2700K 2076
		DV - 0-10V	35K - 3500K		3000K 2150
			40K - 4000K		3500K 2251
				4000K 2272	

OIKO PRO ROUND ADJUSTABLE

	OIKO PRO ADJ. 52° TW	A35855-	qty		
	Wattage: 14.4W	Finish	Optics	Delivered Lumen (lm)	
		◆ ____	00 - No optic	TUNABLE WHITE	
		▲ ____	01 - Linear Spread	2700K-6500K (MAX)	
		(28 colors)	02 - Spread		
			03 - Honeycomb	52°	1240

PROJECT	_____
TYPE	_____
NOTES	_____
QUANTITY	_____
DATE	_____

SYSTEM SUMMARY

System

Type

Suspension
Rated for Dry Locations Ceiling Mounted

Approval Status

Certified to North American Standards

Emission

Refer to emission icon beside each light insert and symbol legend for descriptions

Panels

Measurement

Ø1000mm (39 3/8") x ht. 24mm (1 1/16") with 4xØ68mm (2 1/16") Cut out for Downlights
Ø1200mm (47 1/4") x ht. 24mm (1 1/16") with 4xØ68mm (2 1/16") Cut out for Downlights
Ø1500mm (59 1/16") x ht. 24mm (1 1/16") with 4xØ68mm (2 1/16") Cut out for Downlights
Ø1800mm (70 7/8") x ht. 24mm (1 1/16") with 4xØ68mm (2 1/16") Cut out for Downlights

Suspension Lengths

Standard lengths include 2000mm and 6000mm
Any custom length must be pre-cut on site
Maximum custom length available is 10000mm

Electrical

Connections

Luminaries are pre-wired by factory

Power Feed

Located in the center of the ceiling holder
3 Wires - non-dimming or phase dimming
4 Wires - two circuits of non-dimming or phase dimming
5 Wires - 0-10V dimming or dali dimming

LED Driver

Located next to driver in the middle of acoustic panel
Electronic Class 2 driver, Universal 120V/277V
Non-Dimming Driver, Phase Dimming Driver, and 0-10V Dimming Driver (10-100%)
Consult factory for driver cutsheet
If a different driver is required, please specify

Emergency Inverter Compatible

To be installed remotely, and provided by others
It can be located up to 250m away from the fixture

Emergency circuit wiring is available upon request (Isolated track with dedicated driver used for emergency circuit will connect to emergency battery pack - supplied by others)

General

Features

Orbit is a perfectly rounded suspended lighting solution that combines the technical performance of a compact downlight with the sophisticated design of an acoustic fixture. A dynamic solution for a variety of environments, Oiko and Invader downlights deliver high output and great flexibility while the acoustic panels provide sound absorption and diffusion to create an ideal opportunity for either work or play.

The acoustic material of the panels is available in 32 colors while the downlights can be individualized in 28 colors to meet the demands of a space while not sacrificing on design options.

Custom Requests and Additional Options

Availability depends on insert, system, and configuration
Must consult factory and allow up to 5 business days for an answer

Color temperature, RGB-W, special LEDs

Warranty

ZANEEN provides a limited warranty from date of purchase to original purchaser

LED Inserts: 5 year tested for 50,000 hours at 70% lumen output (L70)

LED Driver: 5 year

Non-Electrical Components: 1 year

*Check boxes to complete specification order and submit to quotes@zaneen.com to receive a formal BOM and a finalized model number

*In a constant effort to supply the best product, we reserve the right to change specifications or materials without notice. The most recent specification sheets are found at zaneen.com

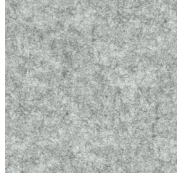
PROJECT _____
 TYPE _____
 NOTES _____
 QUANTITY _____
 DATE _____

ACOUSTIC PANEL COLORS

Anchor - **ANC**



Ash - **ASH**



Ballerina - **BNA**



Baltic - **BTC**



Breeze - **BZE**



Celadon - **CEL**



Eggshell - **EGG**



Evergreen - **EVG**



Fog - **FOG**



Fossil - **FOS**



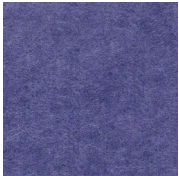
Frost - **FST**



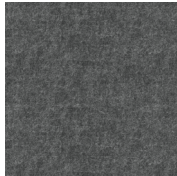
Fuchsia - **FUA**



Iris - **IRI**



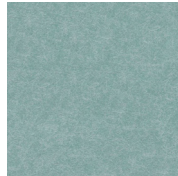
Iron - **IRO**



Khaki - **KHA**



Lichen - **LIC**



Lime - **LIM**



Merlot - **MER**



Muslin - **MSN**



Mustard - **MUS**



Onyx - **ONX**



Peach - **PEA**



Plum - **PLU**



Polar - **POL**



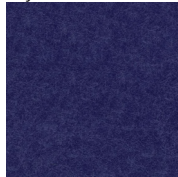
Poppy - **PPY**



Ray - **RAY**



Royal - **ROY**



Rust - **RST**



Steel - **STE**



Seaweed - **SWD**



Tangerine - **TAN**



Taupe - **TAU**



PROJECT _____
 TYPE _____
 NOTES _____
 QUANTITY _____
 DATE _____

FINISH COLORS



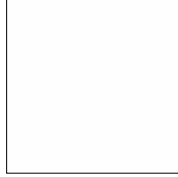
Sparkling Silver - 01



Black Velvet - 02



Crystal White - 03



Creamy - 04



Hampton Bay - 05



Urban Forest - 07



In the Army - 08



Rusty Angel - 09



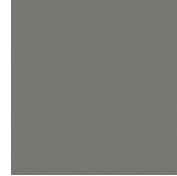
Fade to Grey - 12



Mysterious Grey - 13



Lost Dream - 15



Purple Sky - 16



Fresh Oh - 17



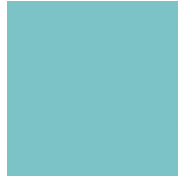
Funky P - 18



Kissing Aphrodite - 19



Poseidon's Paradise - 20



Blue Sky - 21



Spring Green - 22



Mellow Yellow - 23



Golden Heart - 24



Gun Metal - 25



Champagne Cream - 26



Copper Mine - 27



Ancient Bronze - 28



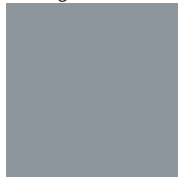
Jazz Gold - 29



Olive Breeze - 30



Moonlight Silver - 31



Rosewood Red - 32



Digital: Not all screens are calibrated the same, and therefore, colors will appear differently between screens.

Physical: When texture is involved, there will be variations in color, character and tone within a product series and between product families.

Gun Metal: No Gun Metal finish is alike. It combines a mixture of transparent and black color particles which ensures a highly individual effect and no luminaire being identical.

Champagne Cream, Copper Mine, Ancient Bronze + Jazz Gold: These finishes have slight fading from specific powder coating production. Each luminaire will slightly vary.

RAL Color Upon Request



LEGEND

	floor-mounted		pivotal		special LED (upon request) RGB, RGBW, tunable, gold+, meat+, art+, fashion+
	wall and ceiling: recessed and surface mounted		rotating		warm dim / natural dimming LED
	ceiling-mounted and wall-mounted		illuminate tilted		rechargeable battery powered
	wall-mounted		color of suspension cable		fixture with natural vivid LED (upon request)
	omni-directional light distribution		length of suspension cable		color rendering index
	direct light distribution		reflector degree selection		color temperature
	direct/indirect light distribution		super spot		lumen (luminous flux)
	indirect light distribution		lens		efficacy (lumens per watt)
	asymmetric light distribution		lens pack		Unified Glare Rating (UGR) range from 5-40
	aura light distribution		shine ring		marine grade (AISI 316 stainless steel)
	round wall or ceiling cut-out		integrated shine ring with diffuser		walk on
	square wall or ceiling cut-out		free individual colors 01-29		drive on
	the supplied jig specifies the cutout dimensions		individual colors: 00 (free of charge), 01-25 (extra charge)		Dark Sky Compliance
	minimum distance (meters) lamp - object		luminaire part to be colored (F1)		Americans with Disabilities Act (less than 4" off the wall located between 27"-84" from floor)
	recessed depth		luminaire part to be colored (F2)		lamp protected against explosion
	ceiling thickness in mm		luminaire part to be colored (F3)		blown glass using traditional methods by master glass blower
	ceiling thickness selection		luminaire part to be colored (F4)		acoustic material
	dimmable DP (phase), DV (0-10V), DD (dali), DS (step-dim)		luminaire part to be colored (F5)		protection class I, protection insulation
	included or excluded LED driver/transformer/control gear		color of 3-circuit adaptor		protection class II, protection insulation
	separately switchable		indirect diffuser		ETL Certified to UL and CSA Standards
	sensor		direct diffuser		UL Certified to UL and CSA Standards
	remote control		ball-proof (upon request)		CSA Certified to UL and CSA Standards
	available upon request		accessory		Certified for North American Standards

IP RATING

	protected against ingress of solid bodies greater than 12.5mm (finger)
	protected against ingress of solid bodies greater than 2.5mm protected against sprays of water up to 60 degrees from the vertical (rain)
	protected against ingress of solid bodies greater than 1mm (wire) no protection against the ingress of moisture
	protected against ingress of solid bodies greater than 1mm (wire) protected against sprays of water up to 60 degrees from the vertical (rain)
	protected against ingress of solid bodies greater than 1mm (wire) protected against water splashed from all directions
	protected against limited ingress of dust (wet rooms/covered outdoor areas) protected against water splashed from all directions
	protected against ingress of dust protected against jets of water
	protected against ingress of dust protected against powerful jets of water or heavy seas
	protected against ingress of dust protected against immersion of water between 15cm - 1m for 30 minutes
	protected against ingress of dust protected against immersion of water under pressure for long periods

IK RATING

	protected against 0.14 joules impact (equivalent to 0.25kg mass dropped from 56mm above the surface)
	protected against 0.2 joules impact (equivalent to 0.25kg mass dropped from 80mm above the surface)
	protected against 0.35 joules impact (equivalent to 0.25kg mass dropped from 140mm above the surface)
	protected against 0.5 joules impact (equivalent to 0.25kg mass dropped from 200mm above the surface)
	protected against 0.7 joules impact (equivalent to 0.25kg mass dropped from 280mm above the surface)
	protected against 1 joules impact (equivalent to 0.25kg mass dropped from 400mm above the surface)
	protected against 2 joules impact (equivalent to 0.5kg mass dropped from 400mm above the surface)
	protected against 5 joules impact (equivalent to 1.7kg mass dropped from 300mm above the surface)
	protected against 10 joules impact (equivalent to 5.0kg mass dropped from 200mm above the surface)
	protected against 20 joules impact (equivalent to 5.0kg mass dropped from 400mm above the surface)

WIRING DIAGRAMS

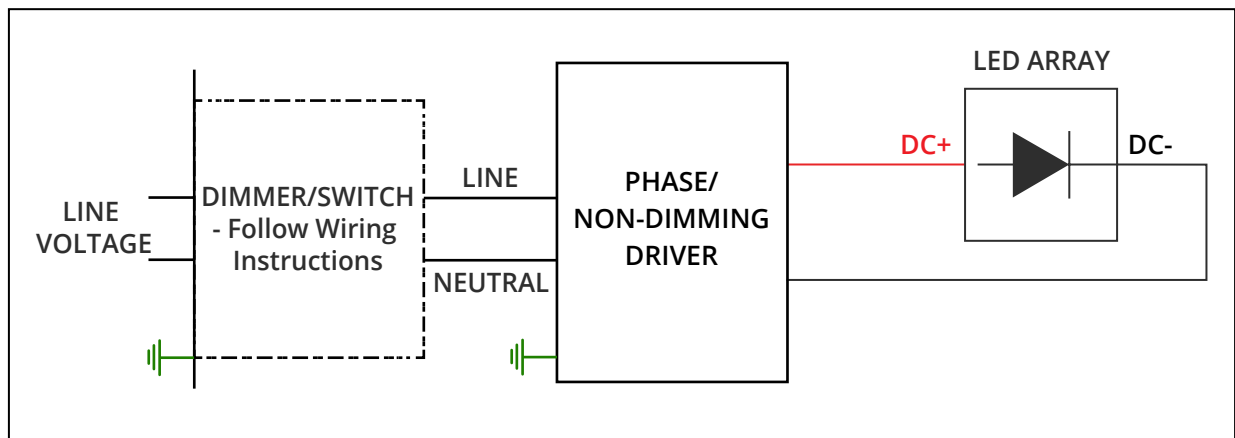
ALL ZANEEN FIXTURES ARE MANUFACTURED TO NORTH AMERICAN ELECTRICAL STANDARDS

Post Sales Support
HQ 1-800-388-3382 X 625 support@zaneen.com

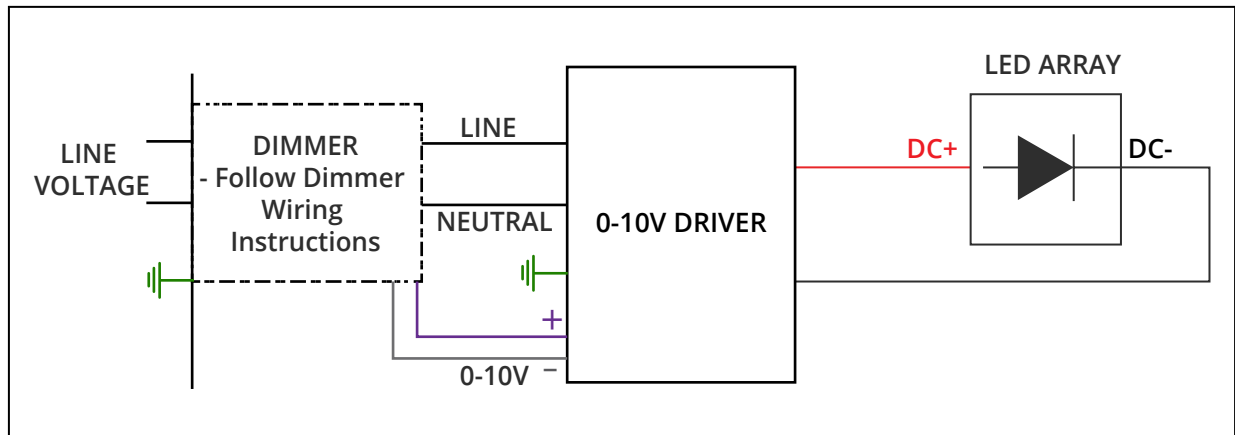
IMPORTANT

- Do NOT connect directly to line voltage
- There is a minimum and maximum load per driver (See fixture and driver specifications).
- Fixture MUST be connected to LED driver, prior to turning power on

PHASE/NON-DIMMING WIRING DIAGRAM



0-10V DIMMING WIRING DIAGRAM



PROJECT	_____
TYPE	_____
NOTES	_____
QUANTITY	_____
DATE	_____

Insert custom drawing here or attach with additional pages

