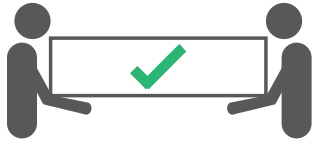




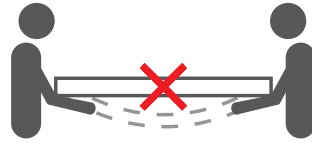
IP 20



INSTRUCTIONS FOR USE



ALWAYS CARRY VERTICALLY



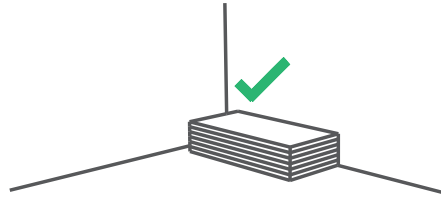
AVOID BENDING OR CURVING



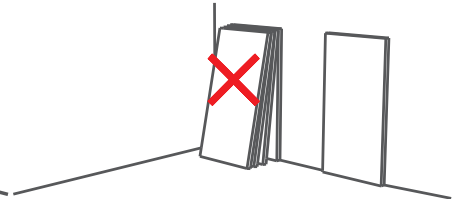
DON'T USE SUCTION CUP LIFTERS



DO NOT CRUSH THE PANEL



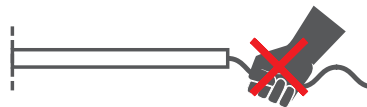
LAY HORIZONTALLY



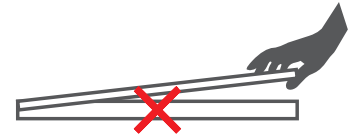
DON'T LAY VERTICALLY



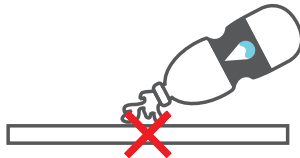
DON'T STEP ON



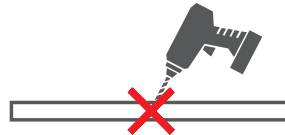
DO NOT PULL OR DAMAGE THE CABLES



DO NOT OPEN THE PANEL



DO NOT SOAK



DO NOT DRILL



DO NOT CUT

LED PANEL MAINTENANCE

Assembly and commissioning may only be carried out by authorized technicians, in compliance of these indications and of all the standards and provisions in force for the relative field of application. Ensure the electrical, mechanical and thermal suitability of the lamp for the intended application area. While waiting for installation, the panels must be stored in an appropriate way, flat, in support on the entire surface of the panel and with its own packaging. Before each replacement of the light body and before any intervention on the lamp, disconnect the mains voltage and wait until complete cooling of the lamp and the luminous body. Observe the relevant installation instructions manufacturer for the use, replacement and operation of the luminaire.

MAINTENANCE:

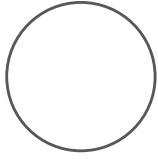
The operator must wear a pair of latex gloves, they have antistatic properties (without talc and always clean). To clean the lamp, use a soft and completely damp cloth. To remove dirt and fingerprints from surfaces, moisten the cloth (do not spray directly on LED panel) with a regular PH neutral, alcohol-free, non-abrasive cleaner, or liquid polish antistatic. Keep these instructions in good condition for possible maintenance operations.

OPERATIONS TO AVOID:

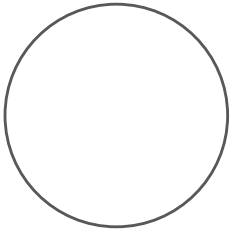
- AVOID** the use of alcohol-based or strongly alkaline detergents.
- AVOID** using dry cloths for dry removal of dirt.
- AVOID** cleaning the panels under direct sunlight or at high temperatures.
- AVOID** use of abrasives, squeegees, razor blades, sharp tools, rotating brush system.
- AVOID** storing packages in humid environments, with high temperatures or under direct sunlight solar radiation

These operations could compromise the correct functioning of the product.

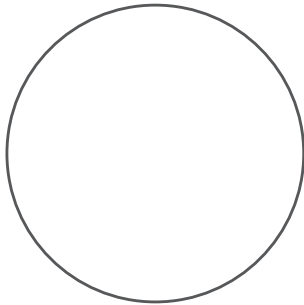
SPECIFICATIONS



Ø612 mm

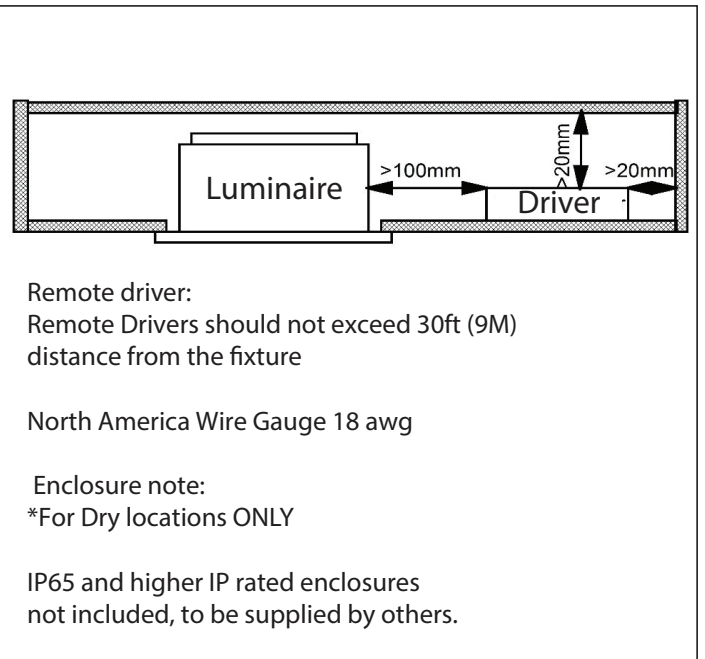
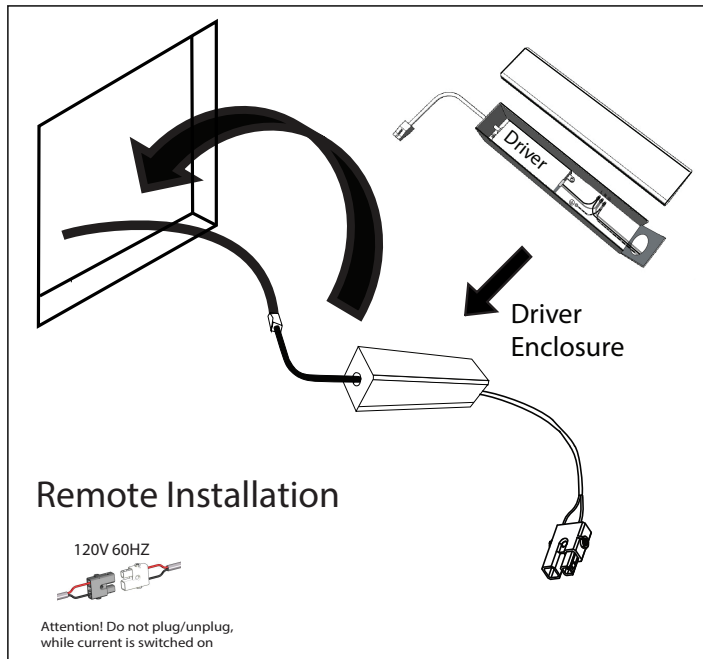


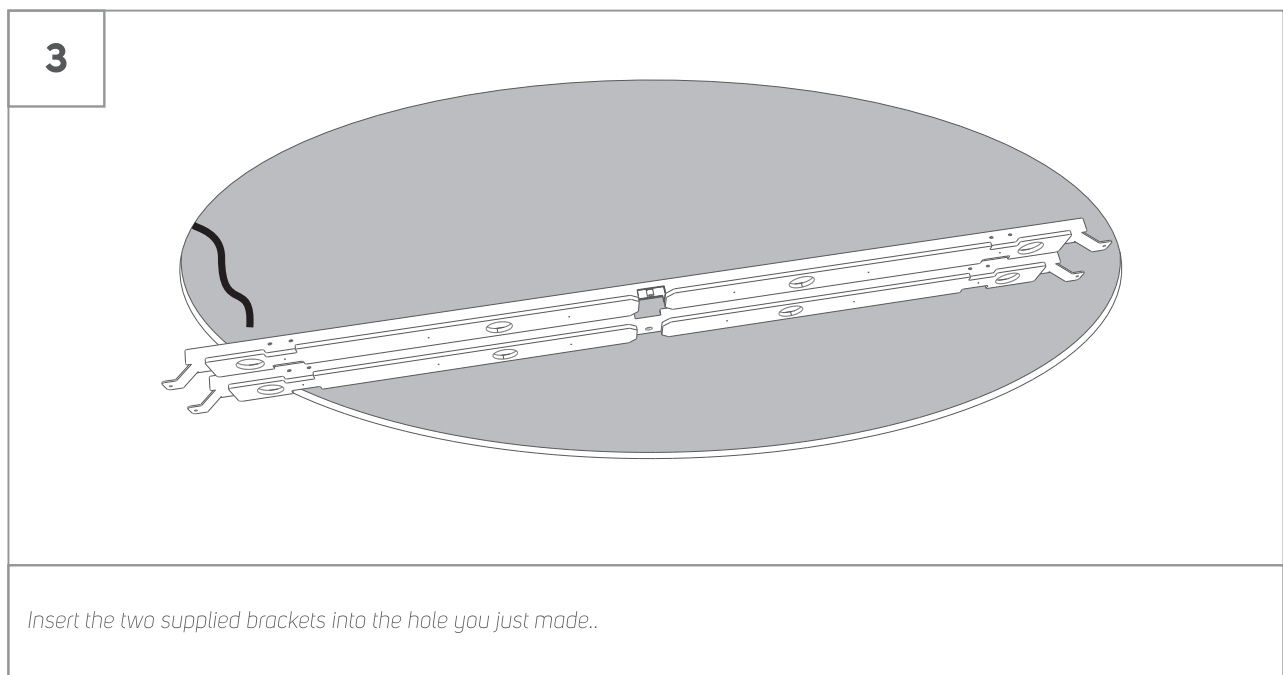
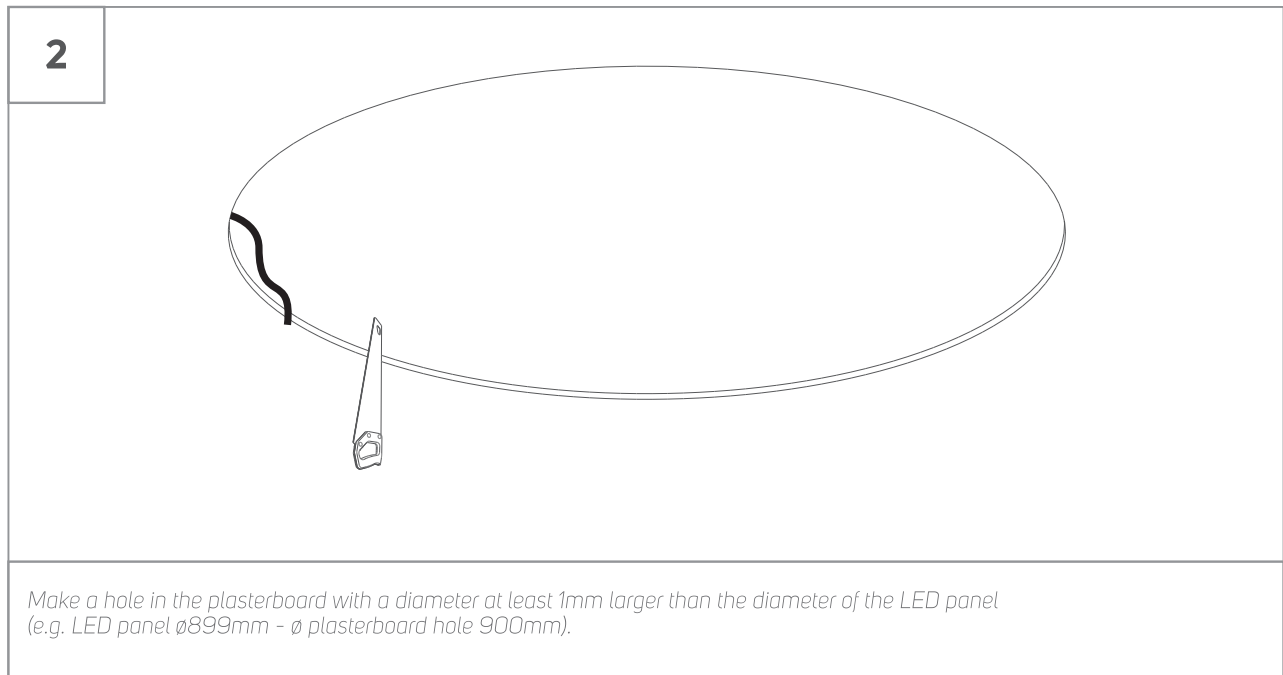
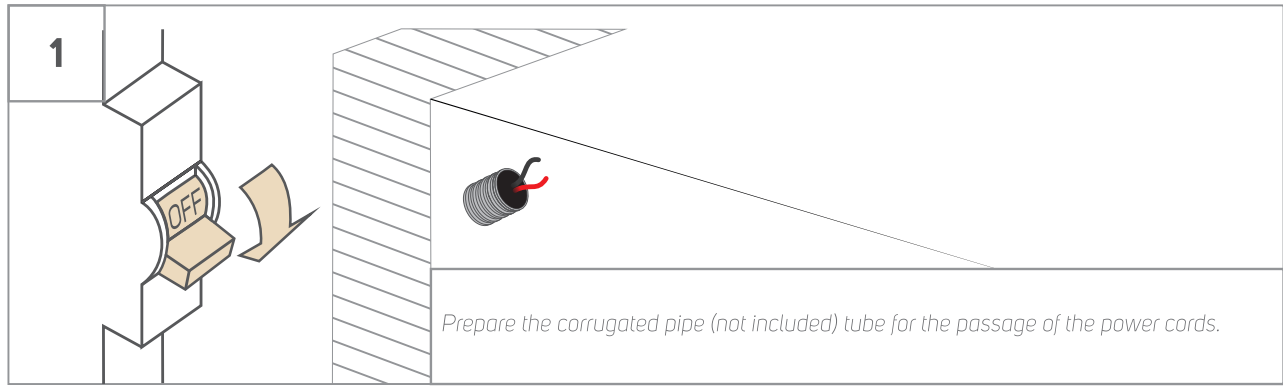
Ø899 mm



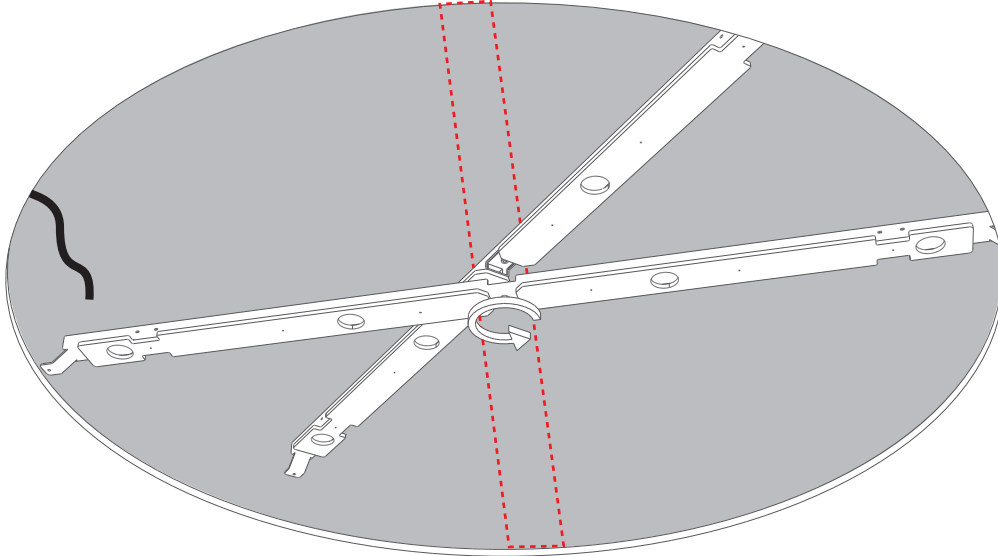
Ø1216 mm

REMOTE DRIVER APPLICATION



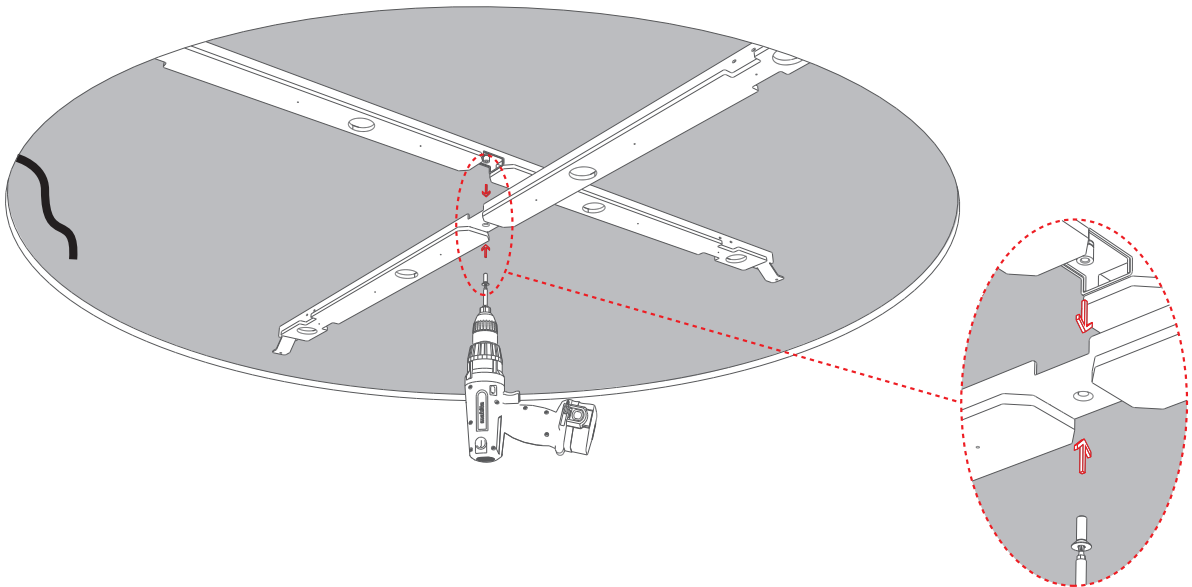


4



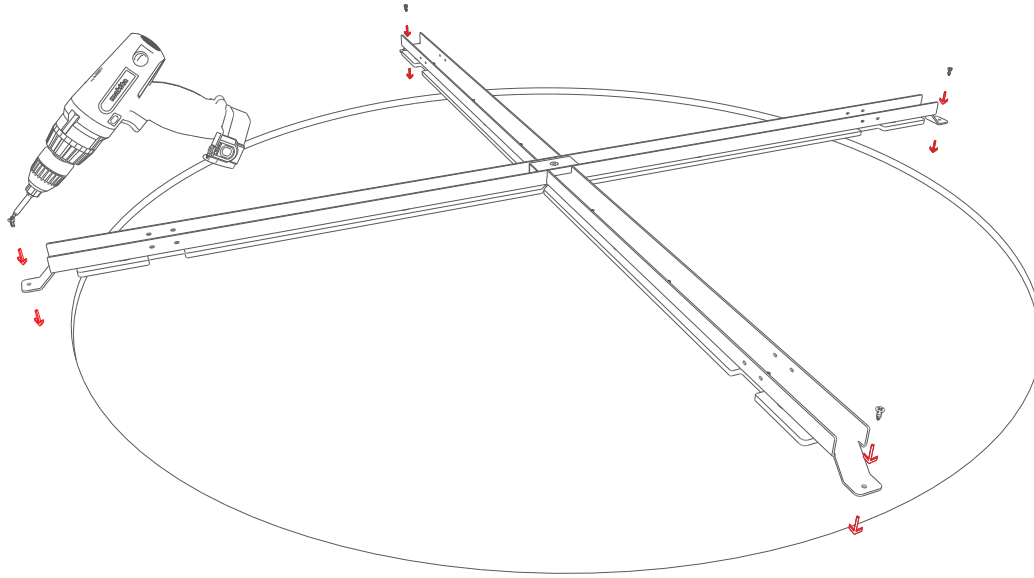
Rotate the brackets until they are perpendicular to each other allowing them to be joined.

5



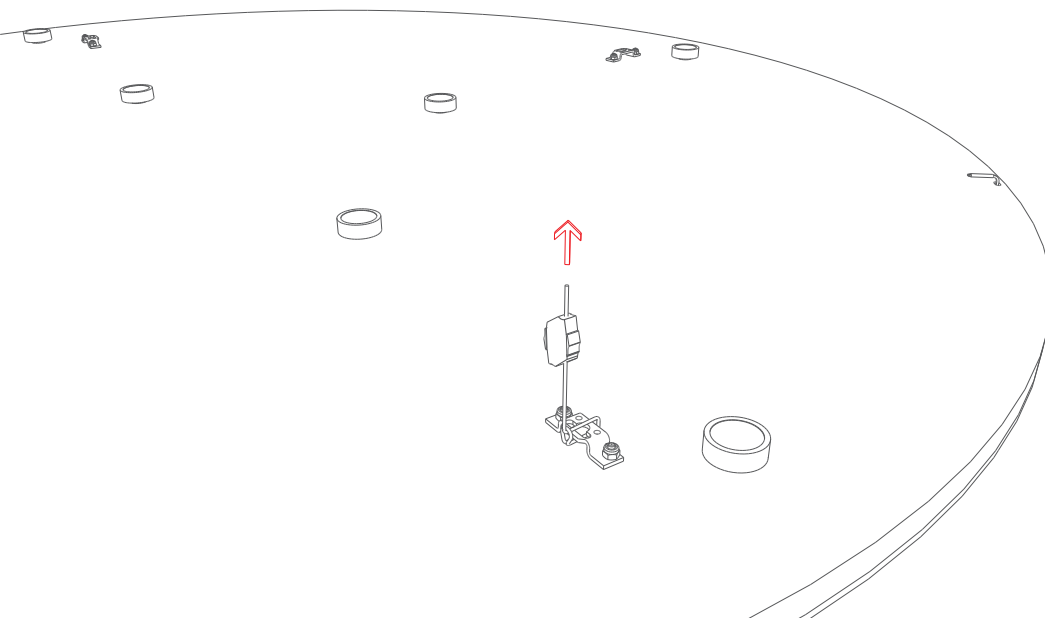
Match the threaded spacer of the upper bracket with the countersunk hole of the lower one and couple with the screw supplied.

6



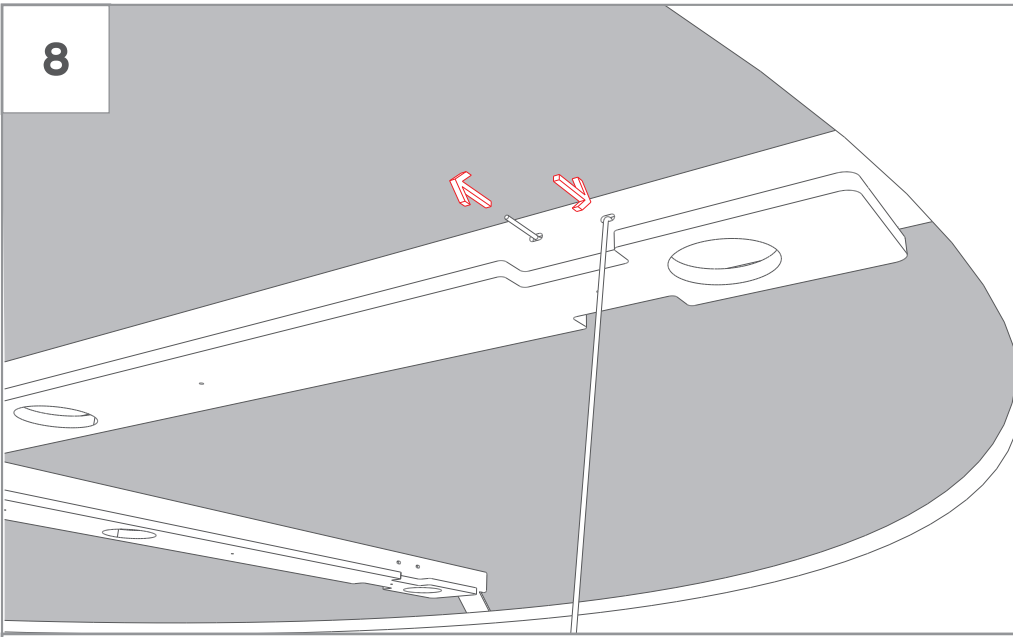
Fix the structure to the back of the plasterboard with self-tapping screws of a diameter and length suitable for the thickness of the plasterboard (not included in the supply). Make sure the structure is centered on the hole in the plasterboard.

7



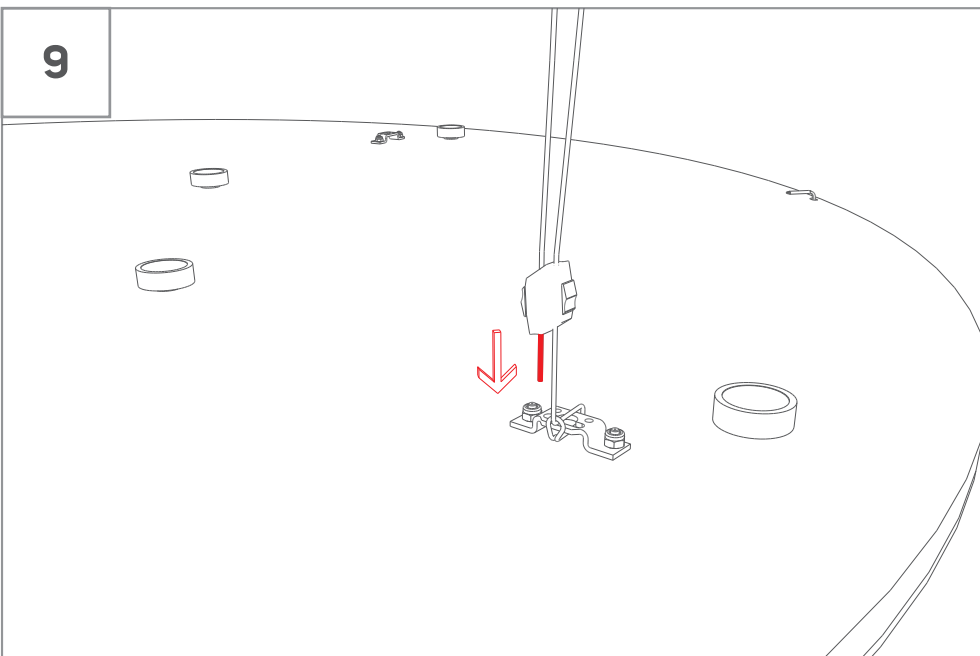
Insert the safety cables into the Omega plates located on the back of the panel. Slide the cables into the relevant terminal eyelets so as to secure one end to the plates. Insert the cables inside one of the terminal holes, carefully following the direction indicated by the arrows on them

8



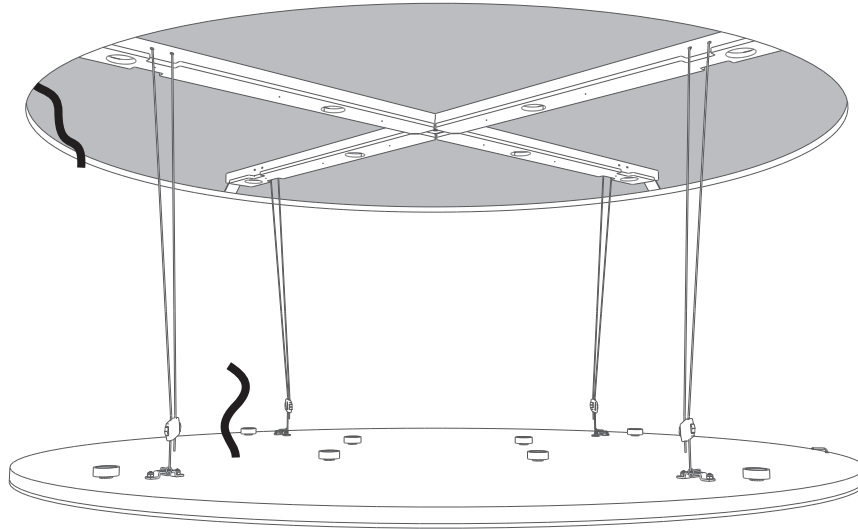
Pass the free end of the cables through the two corresponding holes located on the side of the brackets.

9



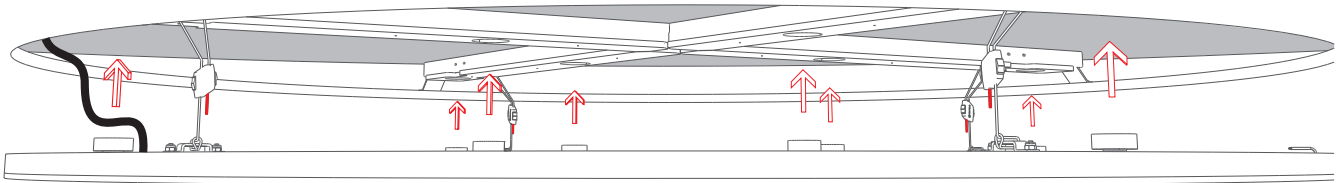
Insert the free end of the cables into the second passage of the terminals.

10



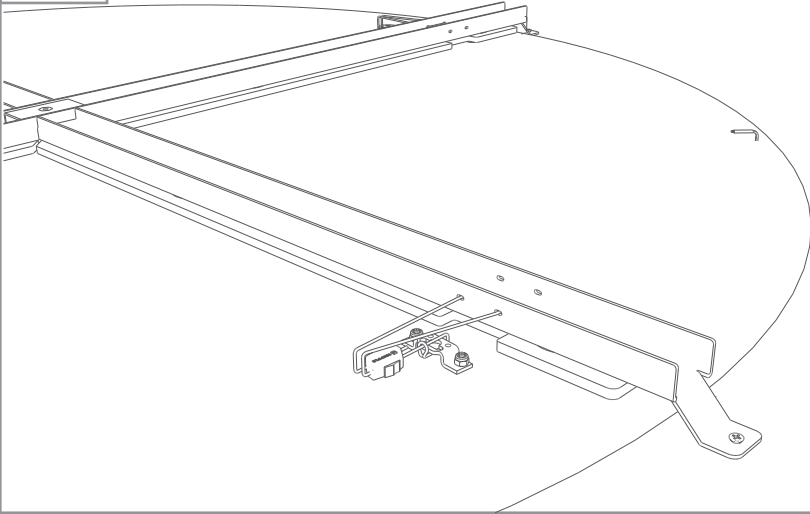
Lift the panel and bring it closer to the false ceiling, continuing to adjust the cables to reduce their length.

11



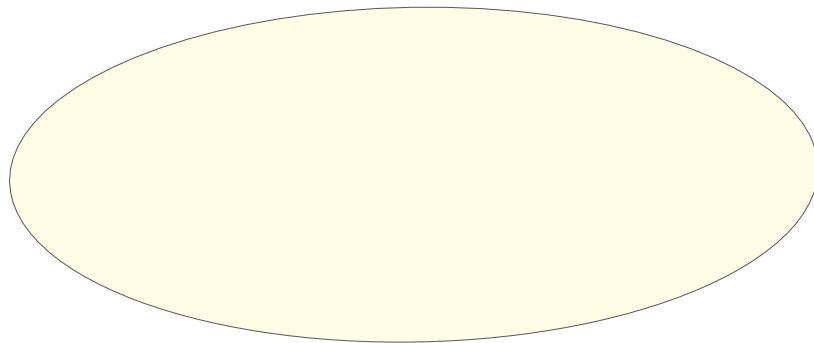
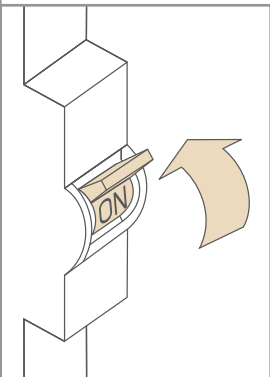
Align the magnets on the back of the panel with the holes in the PMMA templates fixed to the structure, then lift it and hook it in.

12



Make sure that the safety cables do not create obstacles and that the magnets adhere correctly to the brackets.

13



Check that the panel is correctly attached to the structure; otherwise, make sure there are no obstacles and that the magnets adhere correctly to the structure (review points 11 and 12).

Post Sales Support

HQ 1-800-388-3382 support@zaneen.com



EN

- Installation and electrification must be carried out by a qualified electrician, only.
- Observe all relevant building codes and regulations.
- Prior to installation or repair: disconnect power; it is the installer's responsibility to ensure for all electrical, mechanical and thermal compatibility.
- The LED light source contained in this fixture shall only be replaced by Zaneen, or a person approved by Zaneen.
- Recommendations: Keep the instruction sheet(s) in the event of maintenance and/or disassembly.

Access detailed spec sheets from www.zaneen.com

FR

- L'installation et l'électrification doivent être effectuées uniquement par un électricien qualifié.
- Respectez tous les codes du bâtiment et réglementations en vigueur.
- Avant l'installation ou la réparation: débranchez l'alimentation électrique; Il incombe à l'installateur des'assurer de la compatibilité électrique, mécanique et thermique.
- La source de lumière LED contenue dans ce luminaire ne doit être remplacée que par Zaneen, ou une personne approuvée par Zaneen.
- Recommandations: Conservez la (les) fiche (s) d'instructions en cas de maintenance et / ou de démontage

Accéder aux fiches techniques détaillées sur www.zaneen.com

Disclaimer: Applicable only when Zaneen's lighting fixtures are properly installed on correct line voltage, and under normal conditions of use.

Zaneen Warranties are itemized below:

- All products to be free from defect in materials and workmanship: 1 Year (12 months) Limited Warranty from the invoice date (excluding lamps)
- LED engines and Power Supplies: 5 Years Limited Warranty from the invoice date.
- Transformers and Ballast Warranty: 3 years Limited Warranty from the invoice date.
- Purchaser's sole recourse after the warranty period, for defective power supplies, ballasts or other components manufactured by a third party, is against such third-party manufacturer.

Warranty claims regarding the product(s) must be submitted in writing within 30 days, of discovery of the defect.

Zaneen uses only electrical components, which are produced by responsible manufacturers. Components that may fail in service within the warranty period, under normal use, will be replaced at no charge.

Zaneen will not assume labour or transportation charges in connection with replacement of such parts, nor for removal or re-installation of equipment or parts, nor for consequential damages or losses.

The warranty extended to Zaneen by the manufacturers of the electrical components is passed on to our customers.

At its option, Zaneen will repair or replace, any fixture defective as provided herein if such fixture is returned by the purchaser within the warranty period, provided Zaneen has issued a written "Return Goods Authorization". Such repair or replacement is the exclusive remedy against Zaneen and Zaneen is not responsible for damage of any sort whatsoever, including incidental and consequential damages or losses.

This warranty extends only to replacement defective fixtures or components and no allowance will be made for labour or transportation charges in connection with replacement of such parts, nor for removal or re-installation of equipment or parts unless specifically authorized in writing by Zaneen prior to any work being performed.

This warranty only applies when the products are installed in applications in which ambient temperatures are within normal temperatures and are operated within the electrical values shown on the LED driver label.

Zaneen Interior rated luminaries are not protected from environmental conditions, such as salt content from sea air. Therefore, any damages resulting from exposure to salt air, or other harmful environmental conditions, will not be covered under Zaneen Warranty.

Zaneen will not be responsible under warranty for any failure of the product that results directly or indirectly from improper installation and/or external causes such as: acts of nature, physical damage, and exposure to adverse or hazardous chemicals or other substances, use of harsh cleaning agent or harsh chemicals.

Warranty for any substantial deterioration in the product finish caused by failure to clean, inspect or maintain the finish of the product. The end user is responsible for the structural integrity of existing foundations, anchorages, or structures and all consequences arising from their use.

Zaneen will not be responsible under warranty for any failure of the product that results directly or indirectly from improper installation and/or external causes such as: acts of nature, physical damage, and exposure to adverse or hazardous chemicals or other substances, use of harsh cleaning agent or harsh chemicals.

The end user is responsible for the structural integrity of existing foundations, anchorages, or structures and all consequences arising from their use.