



IP 68





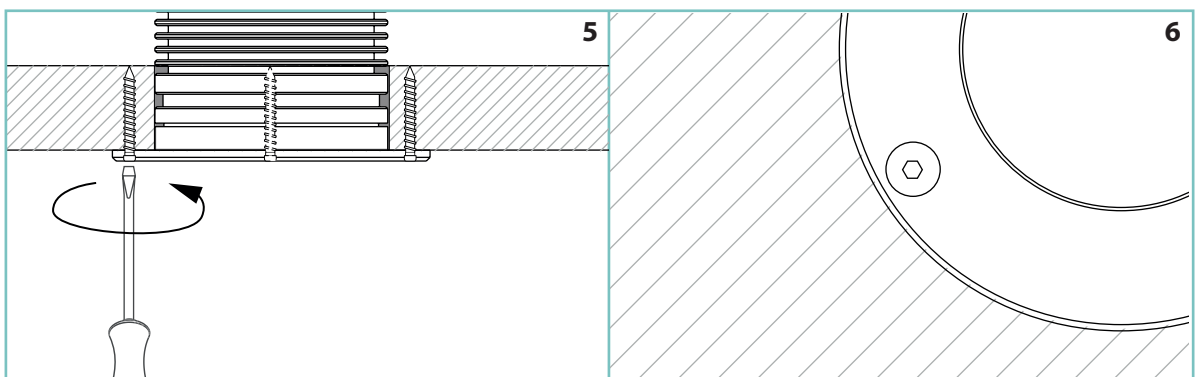
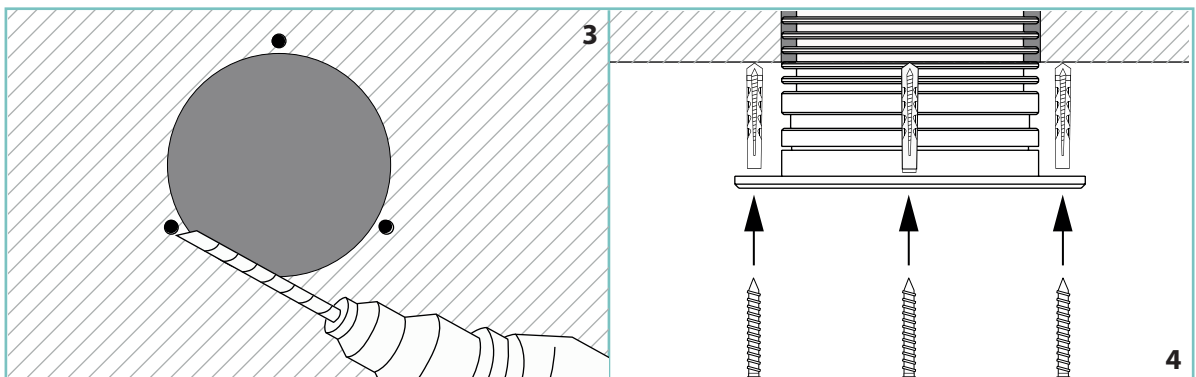
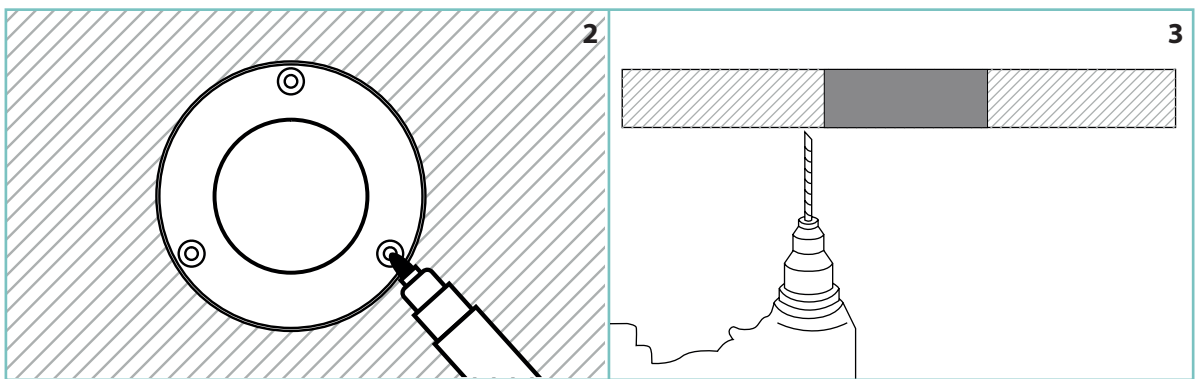
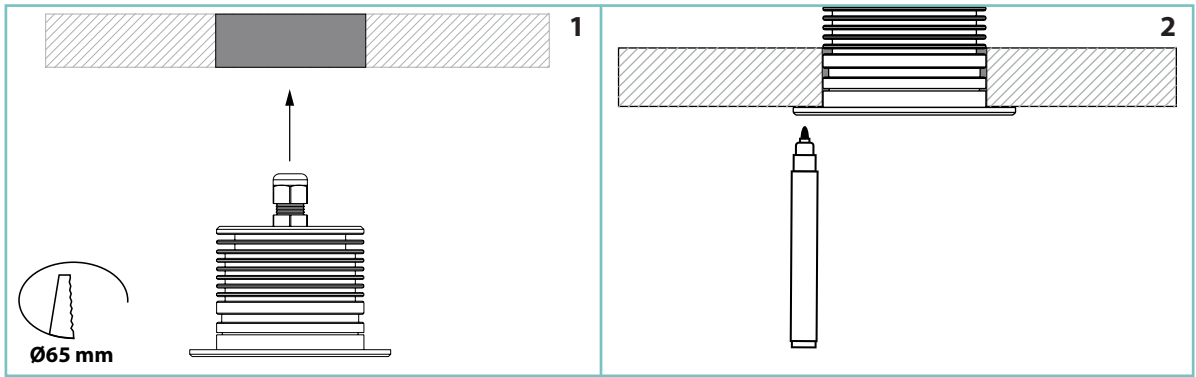
BOREAL

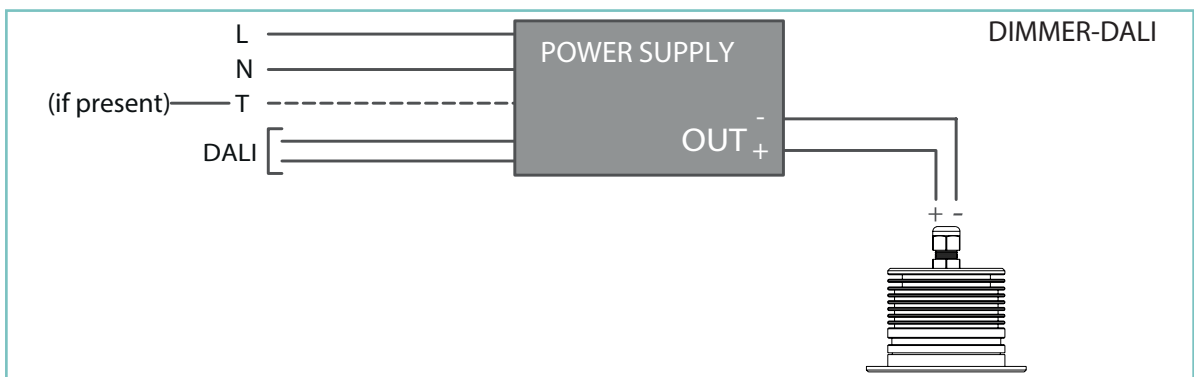
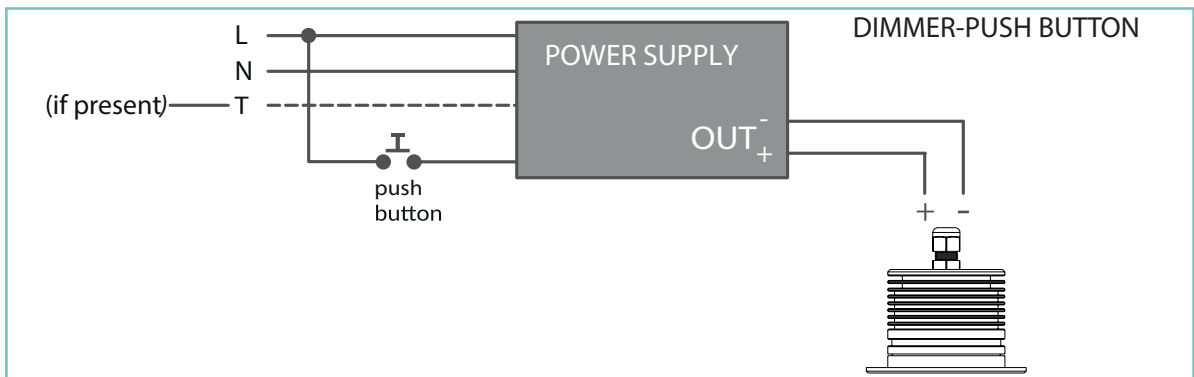
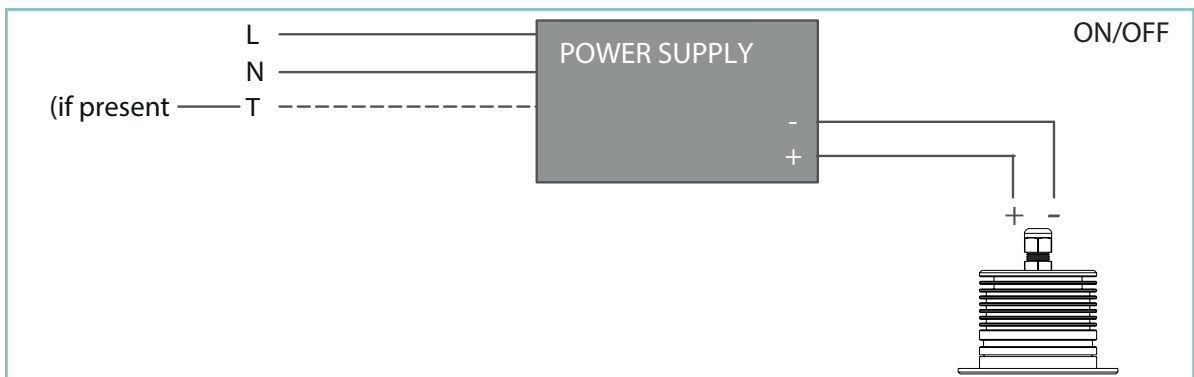
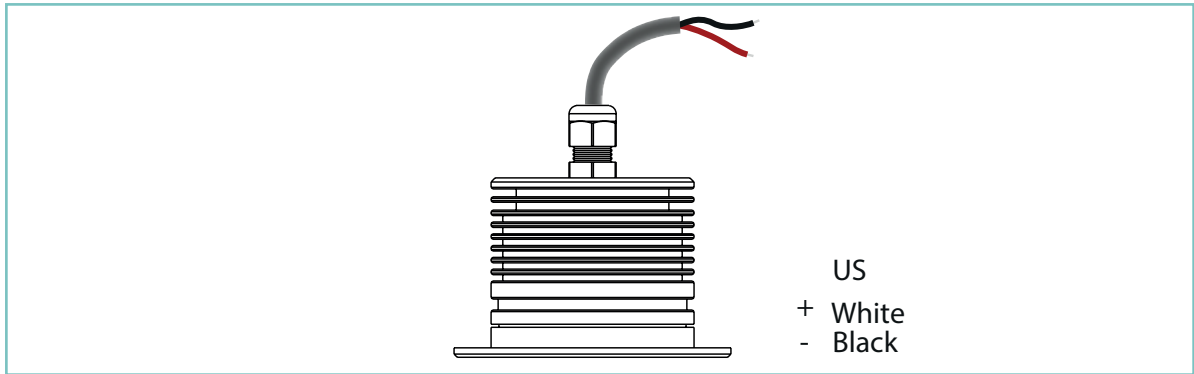
Boreal is a professional anti-vandal IP68 downlight, with a deep recessed COB LED light source and features high efficiency reflector technology for excellent glare control and uniformity. Boreal offers a choice between three standard color temperatures (2700K, 3000K and 4000K) all with CRI > 93 for excellent color rendering. Compatible PSUs available for Boreal allow for DALI or 1-10V dimming. Boreal is perfectly suitable for public spaces and marine applications.

NOTE!



This fixture is guaranteed only if installed with constant current drivers, supplied by Zaneen.





TECHNICAL DATA

Body:	Die-cast aluminium
Glass	Extra clear tempered glass
Finishes:	Stainless steel AISI316L
Installation:	AISI 316L anti-vandal fixing screws
Power Supply Cables:	35 cm PVC 2x0,5 mm ²
Power Supply:	Constant current 350mA Max
Power Consumption:	9,3 Watt Max
CRI:	>90
Bin selection:	Binning free 2 step MacAdam's
Lumen Output:	850 lm
Working Temperature:	-20°C + 45°C
IP Rating:	IP68 (not for permanent immersion)
Insulation Class:	III
Protection impact IK	08
Weight:	440 g
Optics:	20° / 32° / 40°
Energy Rating:	A++
Colour Temperature:	2700K / 3000K / 4000K

WARNING!



Do not cover the light fixture, make sure it is guaranteed the cooling of the lamp.

Never connect or disconnect the fixture when the driver is powered.

The safety of the fitting is guaranteed by the correct use of the following instructions. It is therefore necessary to keep them.

When carrying out all assembly, maintenance and fixture replacement operations, make sure that the power is off.

The fitting should be installed by qualified installers.

IMPORTANT

Post Sales Support HQ 1-800-388-3382 support@zaneen.com



EN

- Installation and electrification must be carried out by a qualified electrician, only.
- Observe all relevant building codes and regulations.
- Prior to installation or repair: disconnect power; it is the installer's responsibility to ensure for all electrical, mechanical and thermal compatibility.
- The LED light source contained in this fixture shall only be replaced by Zaneen, or a person approved by Zaneen.
- Recommendations: Keep the instruction sheet(s) in the event of maintenance and/or disassembly.

Access detailed specification sheets and the warranty policy on the product page at zaneen.com.

FR

- L'installation et l'électrification doivent être effectuées uniquement par un électricien qualifié.
- Respectez tous les codes du bâtiment et réglementations en vigueur.
- Avant l'installation ou la réparation: débranchez l'alimentation électrique; Il incombe à l'installateur des'assurer de la compatibilité électrique, mécanique et thermique.
- La source de lumière LED contenue dans ce luminaire ne doit être remplacée que par Zaneen, ou une personne approuvée par Zaneen.
- Recommandations: Conservez la (les) fiche (s) d'instructions en cas de maintenance et / ou de démontage

Accéder aux fiches techniques détaillées et à la politique de garantie sur la page du produit sur zaneen.com