



**IP 66**





**Warning electrical hazard**

Make sure that connection plugs and sockets are placed in dry places and not in places where accumulation of water may occur.



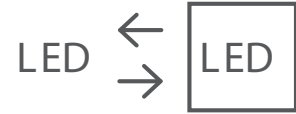
**Installation and start-up**

It is mandatory that the installation and start-up of the appliance be carried out by qualified personnel in accordance with the applicable regulations.



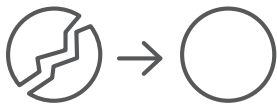
**Switching off the power supply**

Switch off the power supply before any intervention on the equipment.



**Replacement of LED module and power supply cable**

If available, and if necessary, replacement of the LED module and power cable should only be carried out by the manufacturer. It is therefore recommended to contact the retailer.



**Screen replacement**

Replace the screen of the device if it is damaged before using it.



**Cable type**

Only use cables of the indicated type.

**IP LAMPS**

**IP connection system**

The connection system for IP devices must be made in a junction box with a degree of protection suitable for the environment where it is located, in compliance with the facility regulations.



**Maintenance**

Clean the devices periodically by removing dirt build-up that may settle on the grids or screw heads.



**Instructions for device cleaning**

When cleaning the devices, use neutral, non-aggressive or abrasive cleaning agents and avoid contact between liquids and electrical components.



**Avoid contact with chemicals**

No part of the device should be in direct contact with aggressive chemicals (e.g. fertilisers, herbicides, etc.).



**Any changes to the device are forbidden without prior authorisation**

The safety of the device and its proper functioning is only guaranteed by complying with European electrical regulations.



**Avoid installation in waterlogged areas**

In the case of fixed ground or roadside fixtures (posts and poles), avoid installation in depressions or areas of water stagnation.



**High temperature risk**

High environmental temperatures caused by particular climatic conditions or other heat sources may reduce the life and efficiency of the components or the LED module.



**Refer to operating instructions**

Keep the assembly instructions for possible maintenance or disassembly by qualified personnel.



**For all lighting devices, maintenance of the installation must be carried out at scheduled intervals, in accordance with the current installation standards, which must include the following operations:**

Check the tightness of the screws securing the various parts of the unit;

Check the integrity of all cable glands and cables;

Check the tightness of the cable glands;

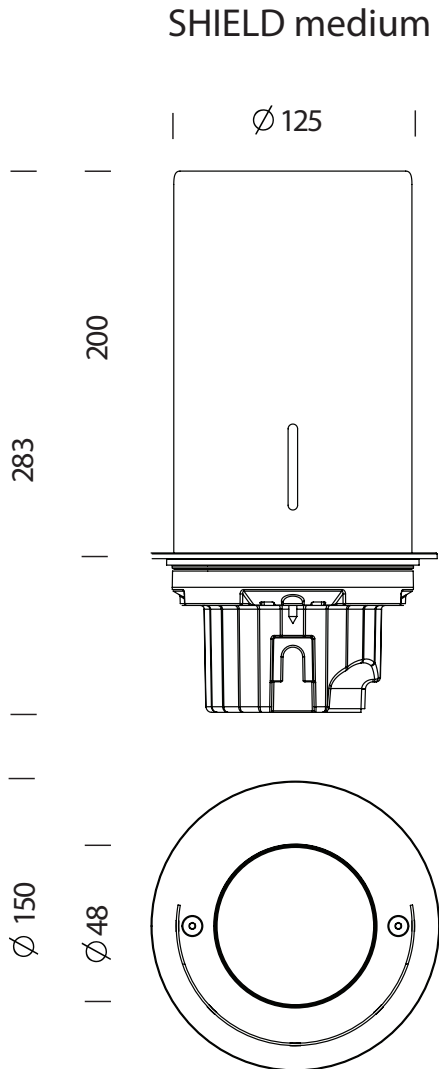
Check the integrity and elasticity of the gaskets, which must not be damaged, dry, pinched or broken;

Check for any accumulation of water inside the unit or the formwork.

Internal components such as the power supply unit, transformer, terminal box, etc. must not show consistent signs of rust or oxidation. The presence of such signs indicates a possible penetration of water inside the device. If components are damaged, they must be replaced before putting the appliance back into service using original spare parts only.

## Technical drawing

## Technical data



	medium
Lights	WHITE LED
Power supply	REMOTE DRIVER
Source power	11W
Dimmable	TRIAC
Class	<input type="checkbox"/>
Cable	1000mm
Weight	1,95 kg

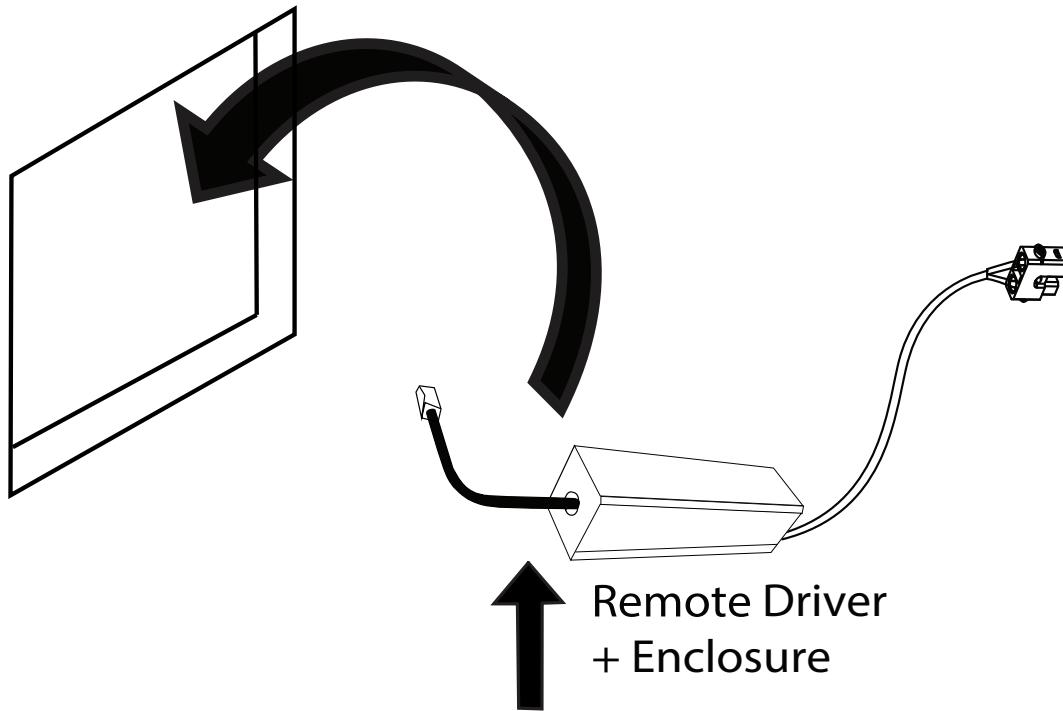
## To operate

**IP68**  
Full Dry

**IK10**

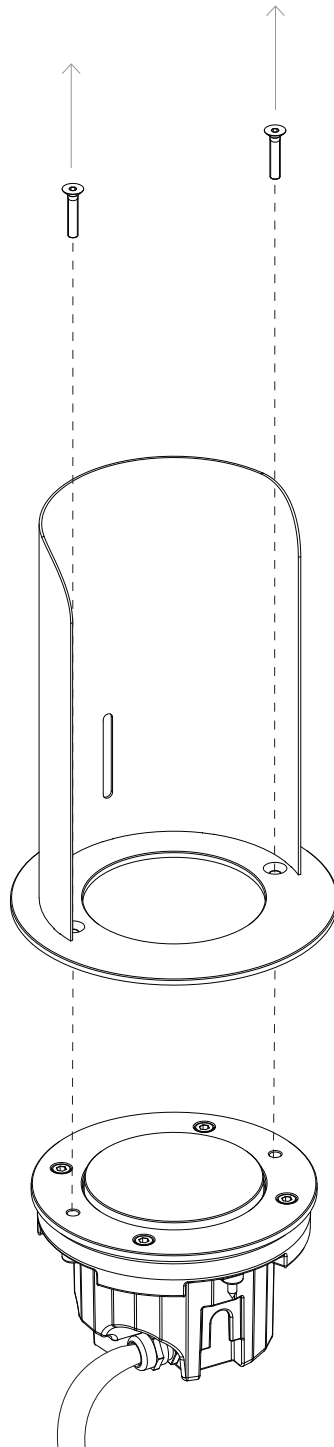
**2700K**  
**3000K**  
**4000K**

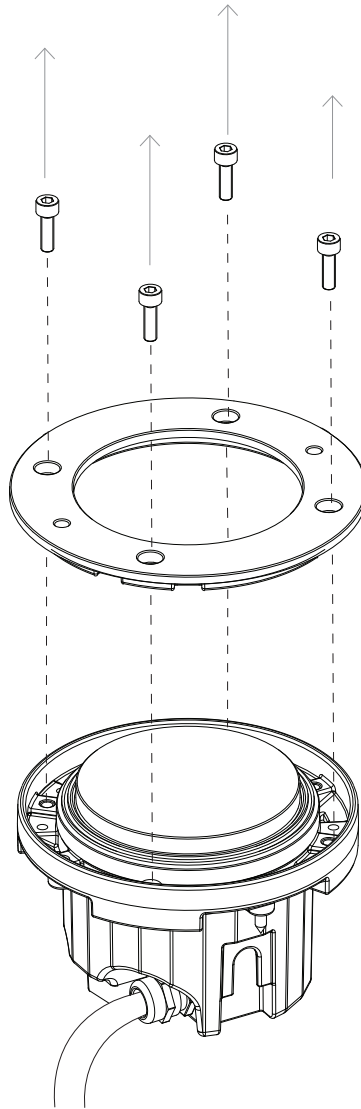
## Remote Driver



**Attention:**

- LED must not be plugged in or out when power is on
- Don't switch the secondary side





SHIELD MEDIUM

120 - 277 V

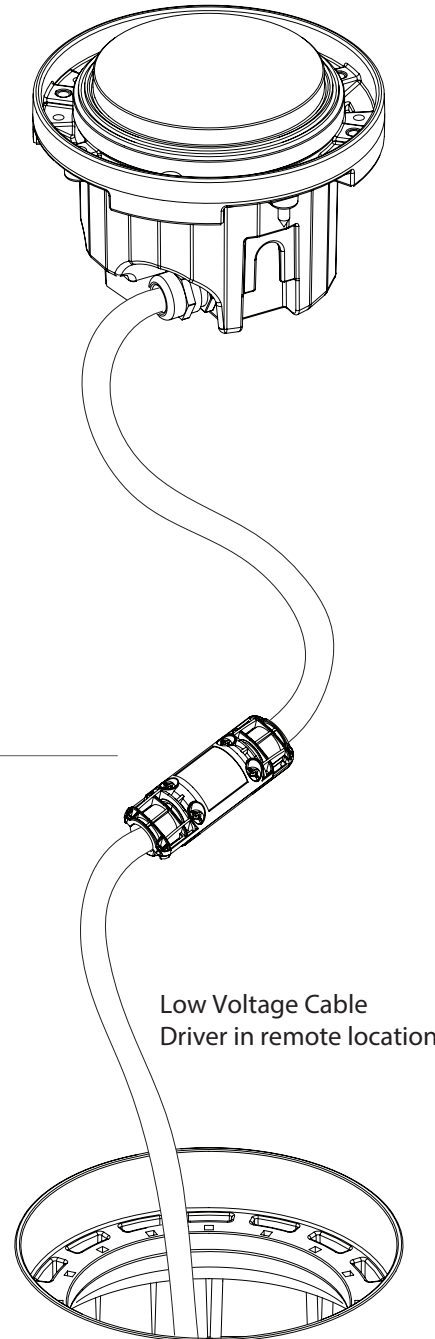


L= 1m

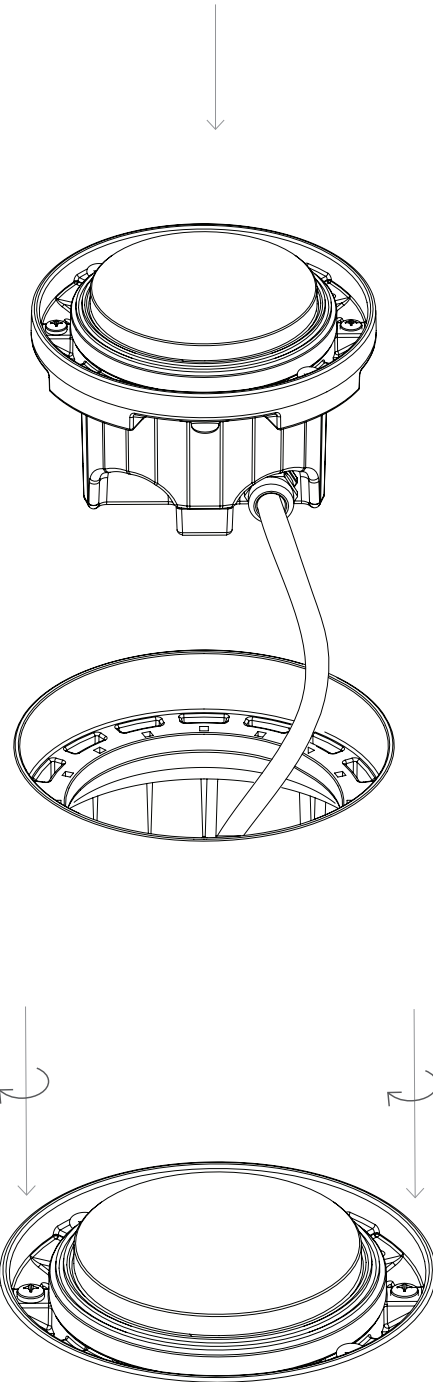
2x1mm<sup>2</sup>

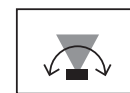
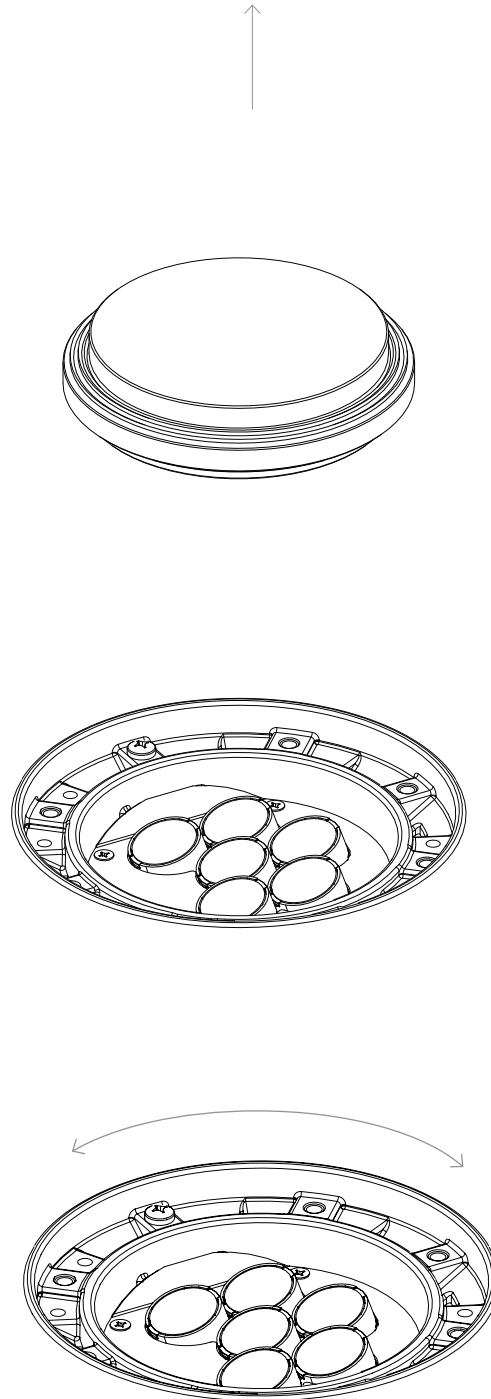
LIVE = BROWN

NEUTRAL = BLUE

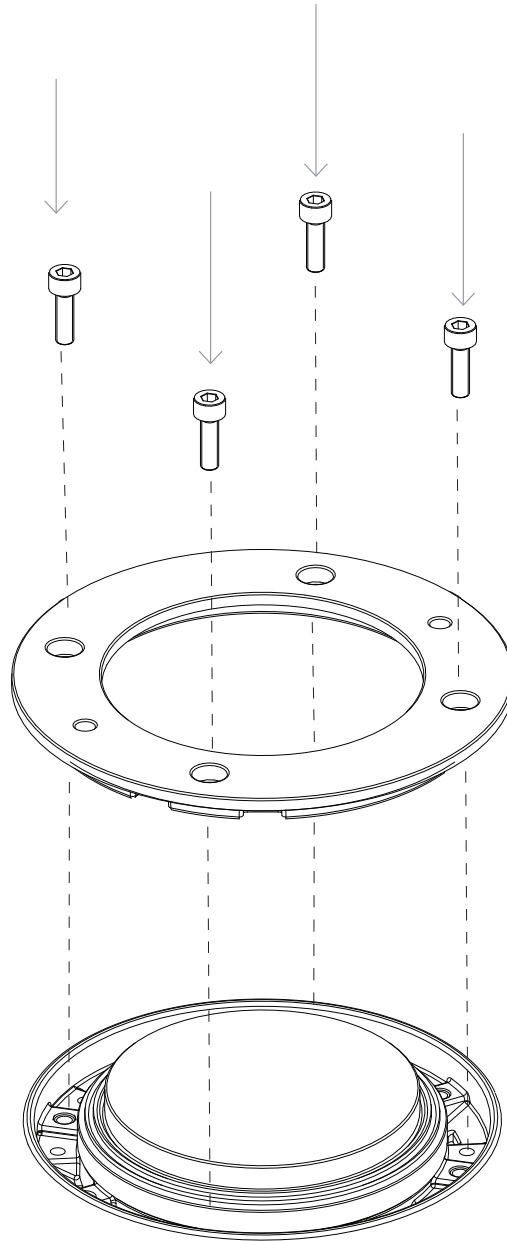


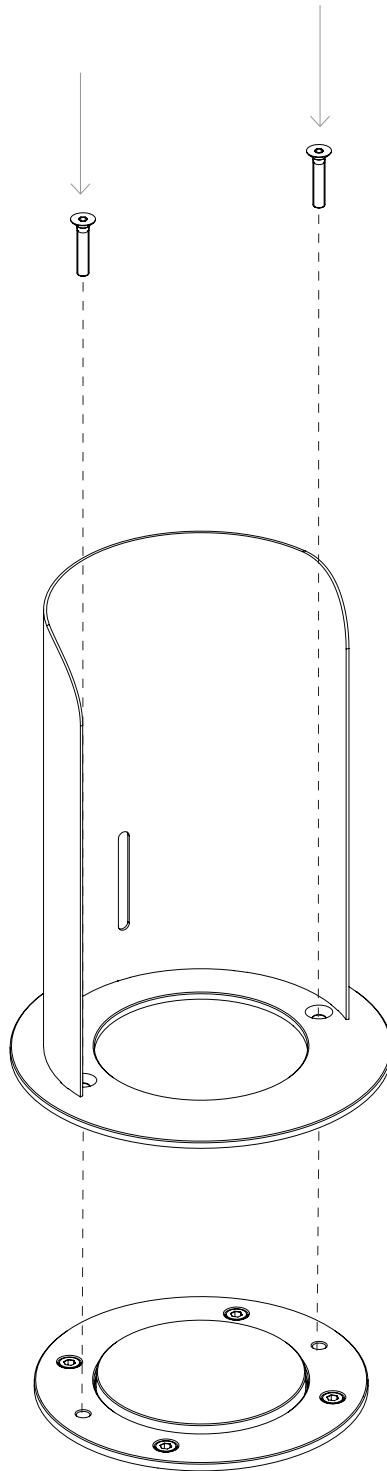
Low Voltage Cable  
Driver in remote location





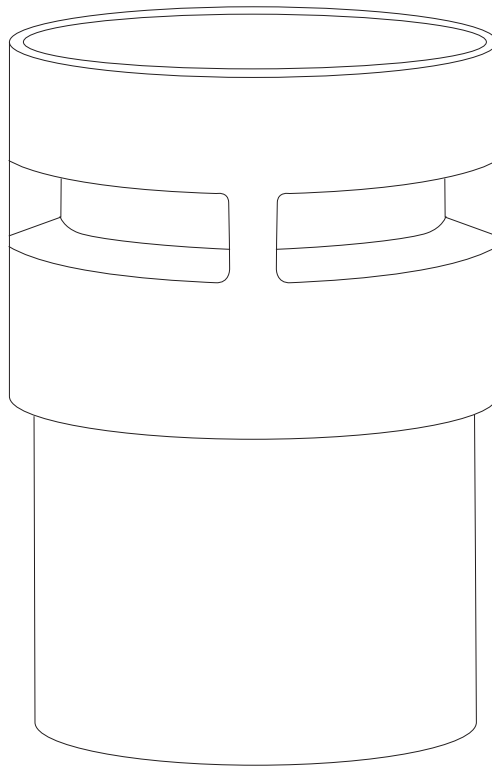
**SHIELD MEDIUM**  $0^{\circ}\pm 5^{\circ}\pm 10^{\circ}$





## RECESSED BOX

### Assembly instructions



## Guidelines for installation



**Place the bottom of the sleeve on a 30 cm drainage bed made of gravel;**

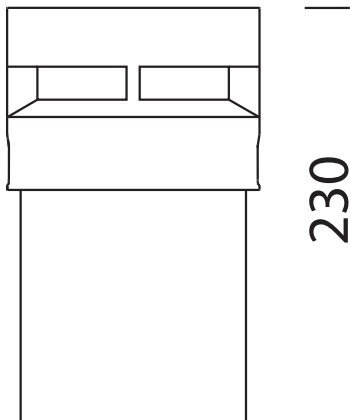
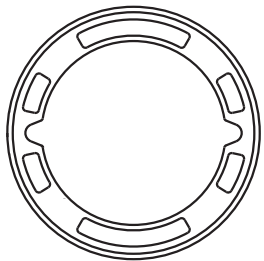
**Place the sleeve so that the upper edge of the ring - which must be visible - is flush with the finished floor;**

**Fill the tube of water and check that it completely disappears within 30 min. If it doesn't work study a further drainage system;**

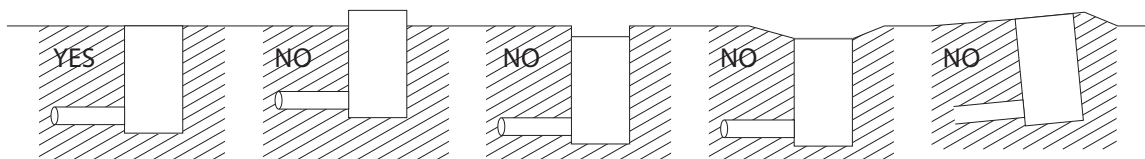
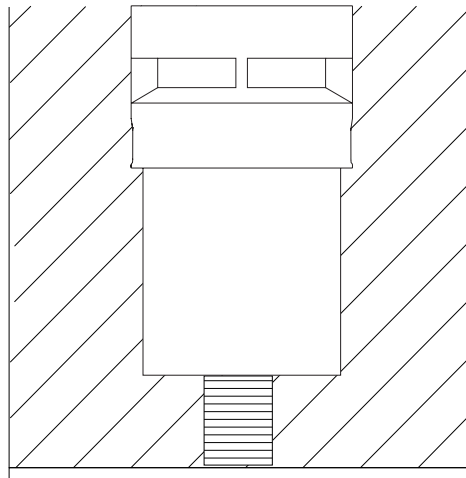
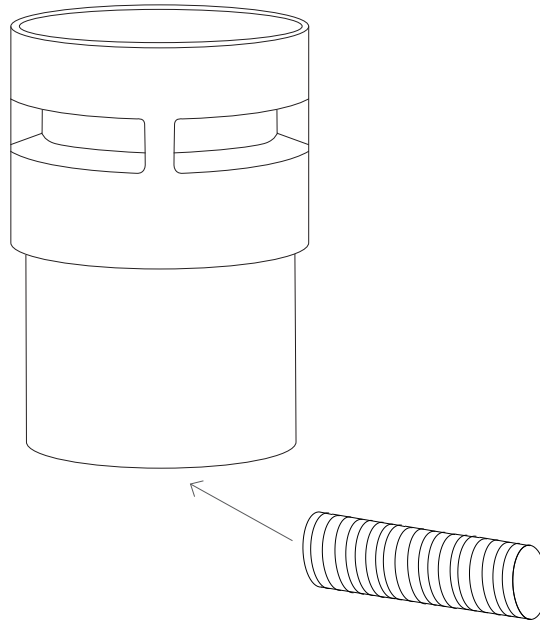
**To fix the sleeve to the ground do not use products which may prevent heat loss, such as resins or foams.**

## Technical drawing

| Ø 140 |

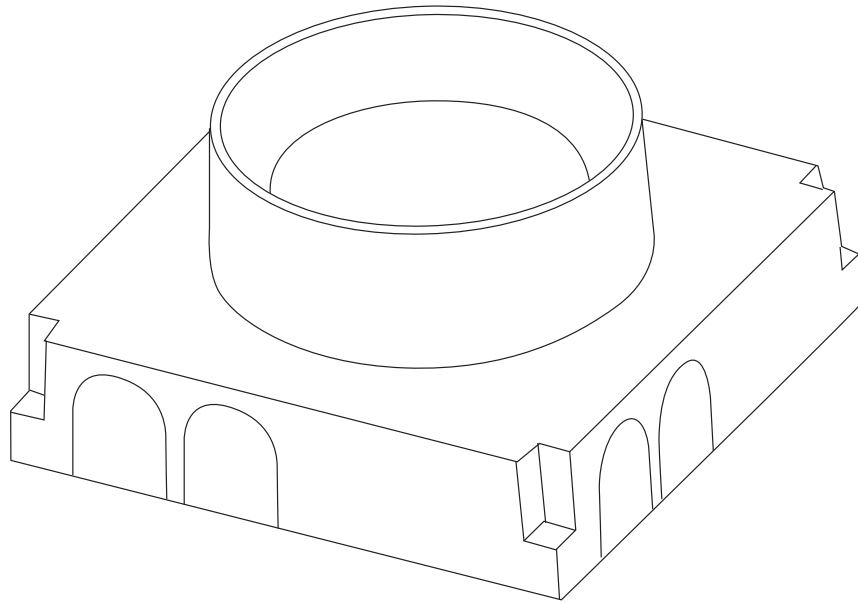


230

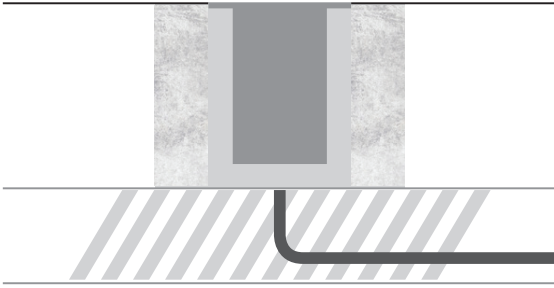


## RECESSED BOX

### Assembly instructions



## Guidelines for installation



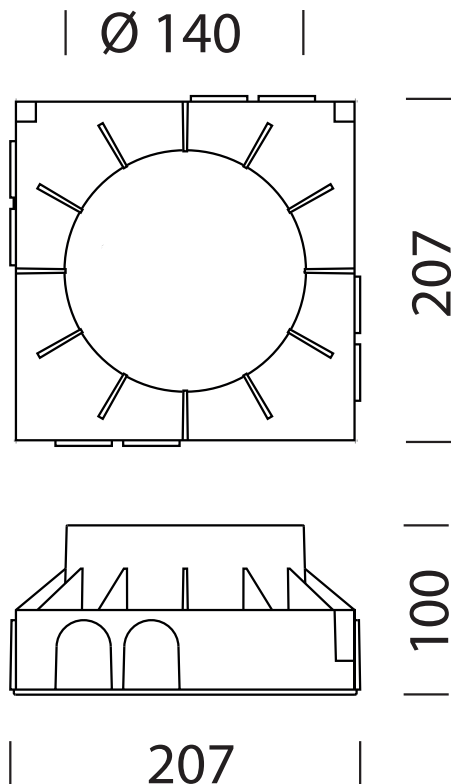
Place the bottom of the sleeve on a 30 cm drainage bed made of gravel;

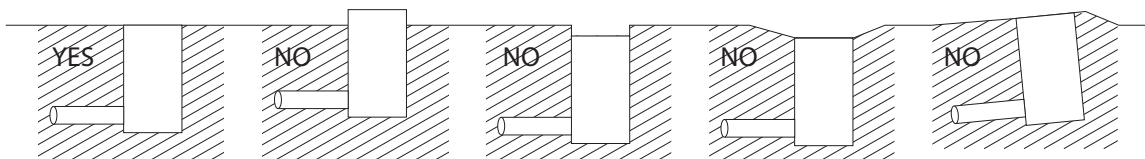
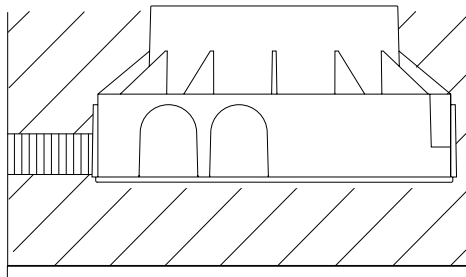
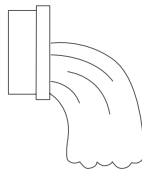
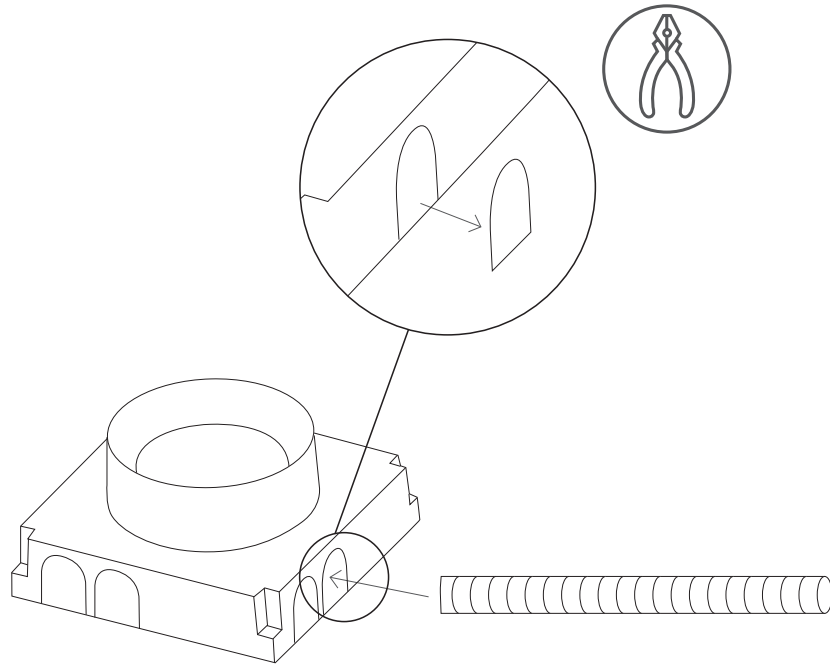
Place the sleeve so that the upper edge of the ring - which must be visible - is flush with the finished floor;

Fill the tube of water and check that it completely disappears within 30 min. If it doesn't work study a further drainage system;

To fix the sleeve to the ground do not use products which may prevent heat loss, such as resins or foams.

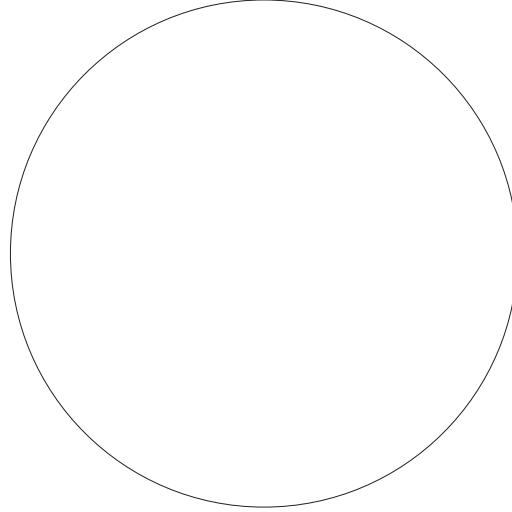
## Technical drawing





## ELIPTICAL FILTER

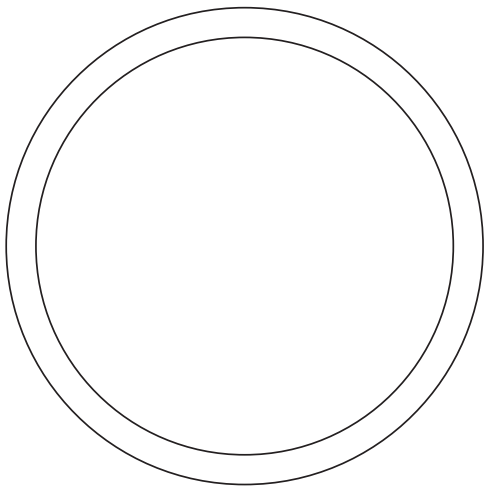
### Assembly instructions



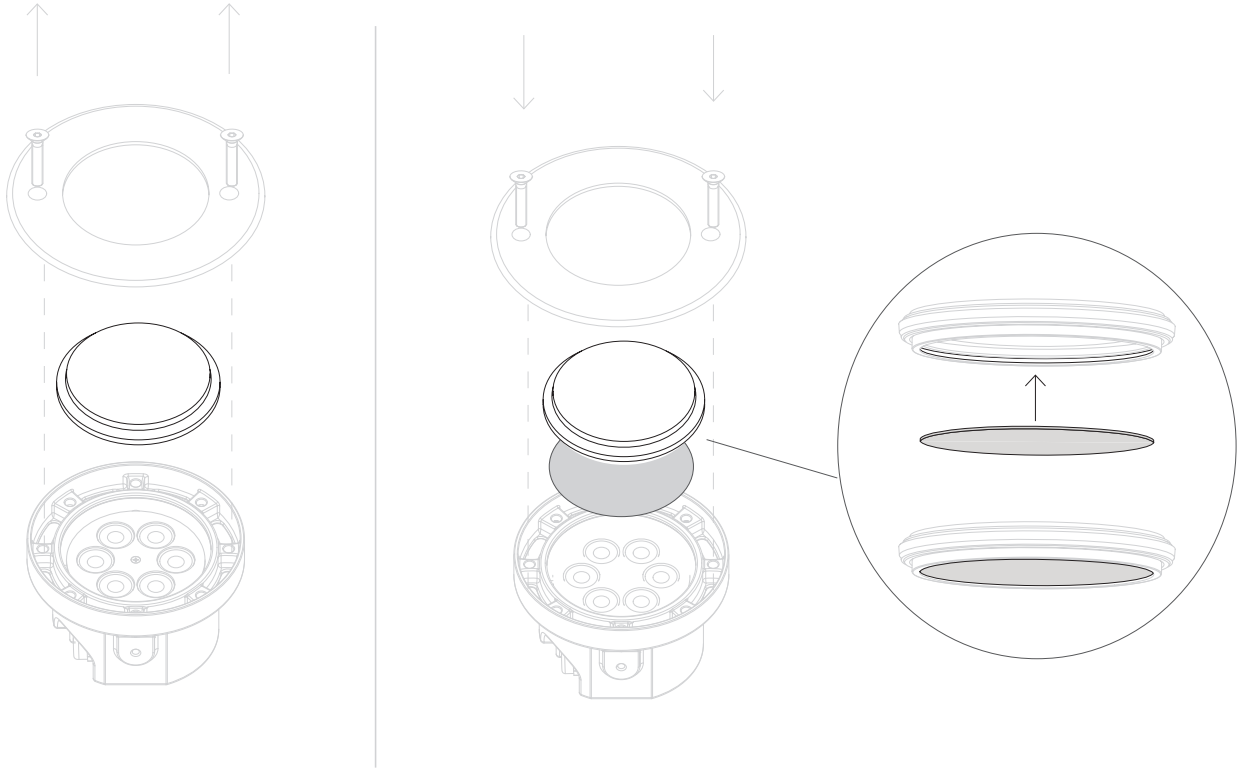
## Technical drawing

---

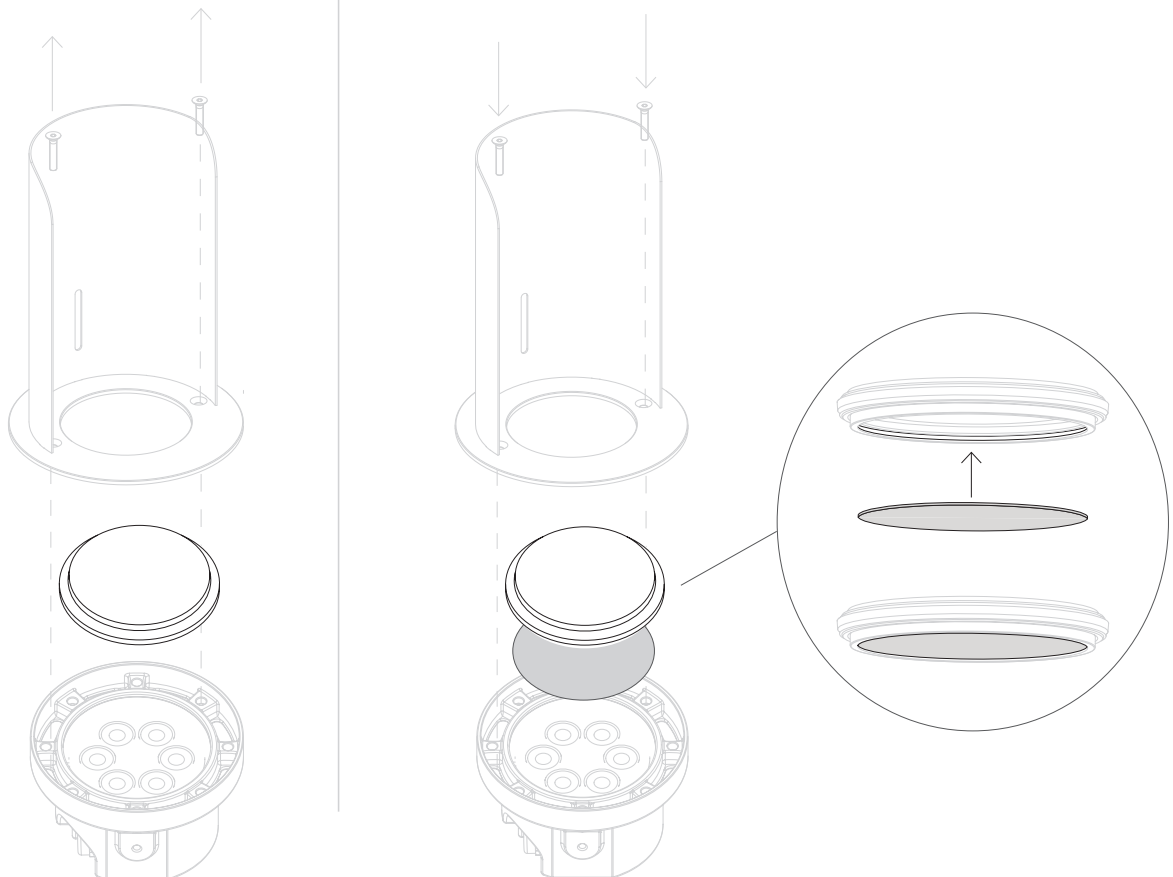
	Ø85	
	Ø77	



MINI

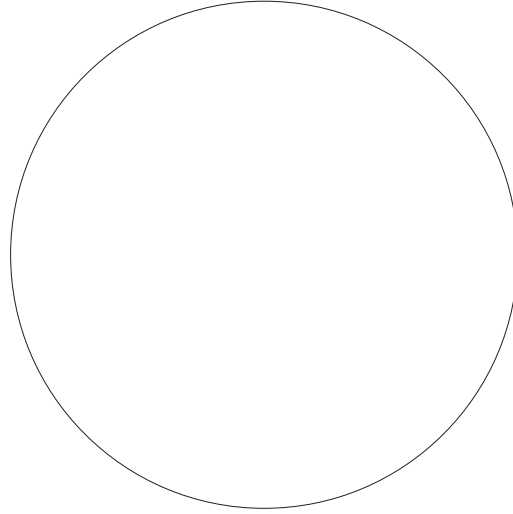


SHIELD MINI



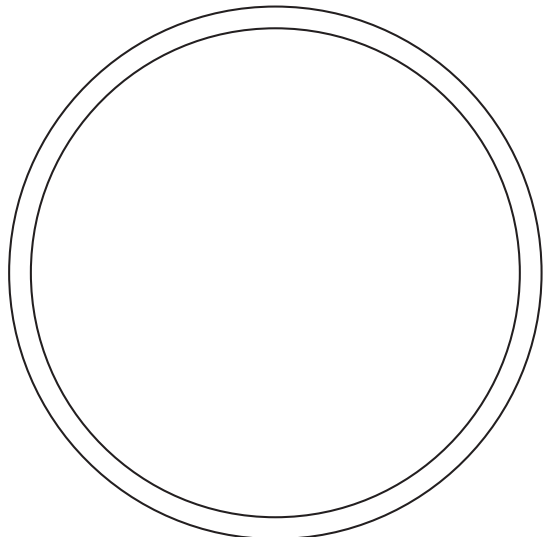
## SANDBLASTED FILTER

Assembly instructions

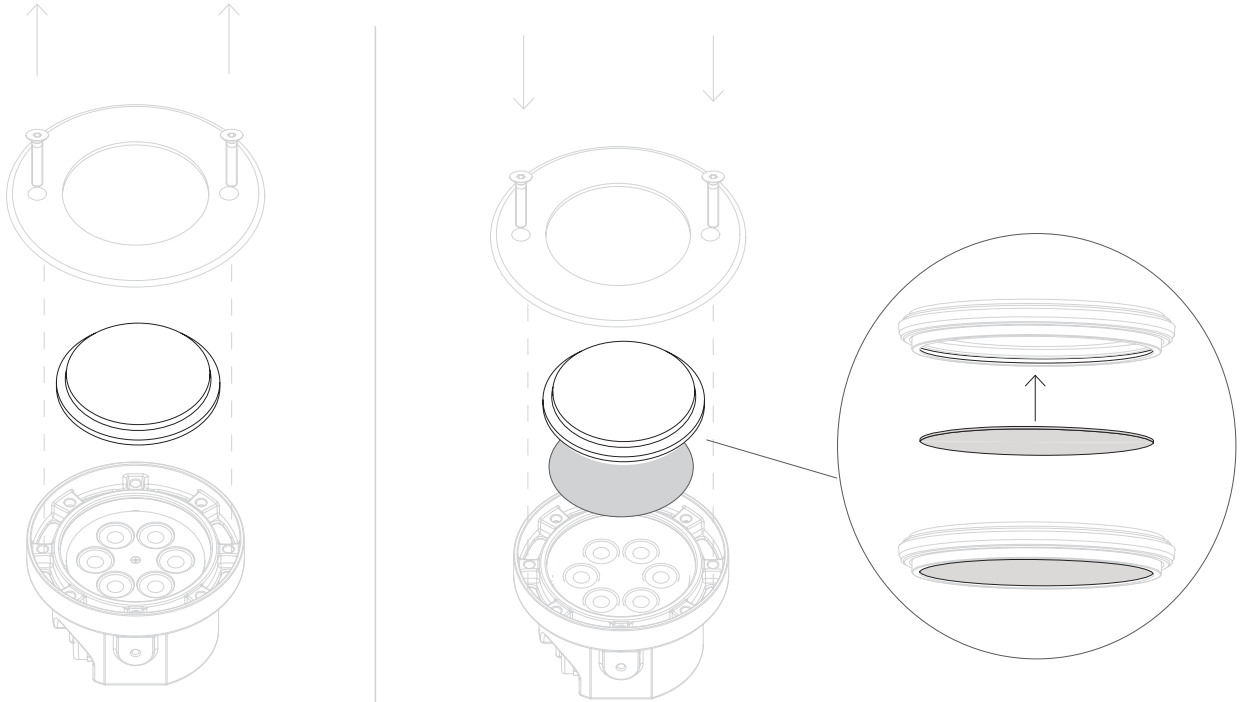


### Technical drawing

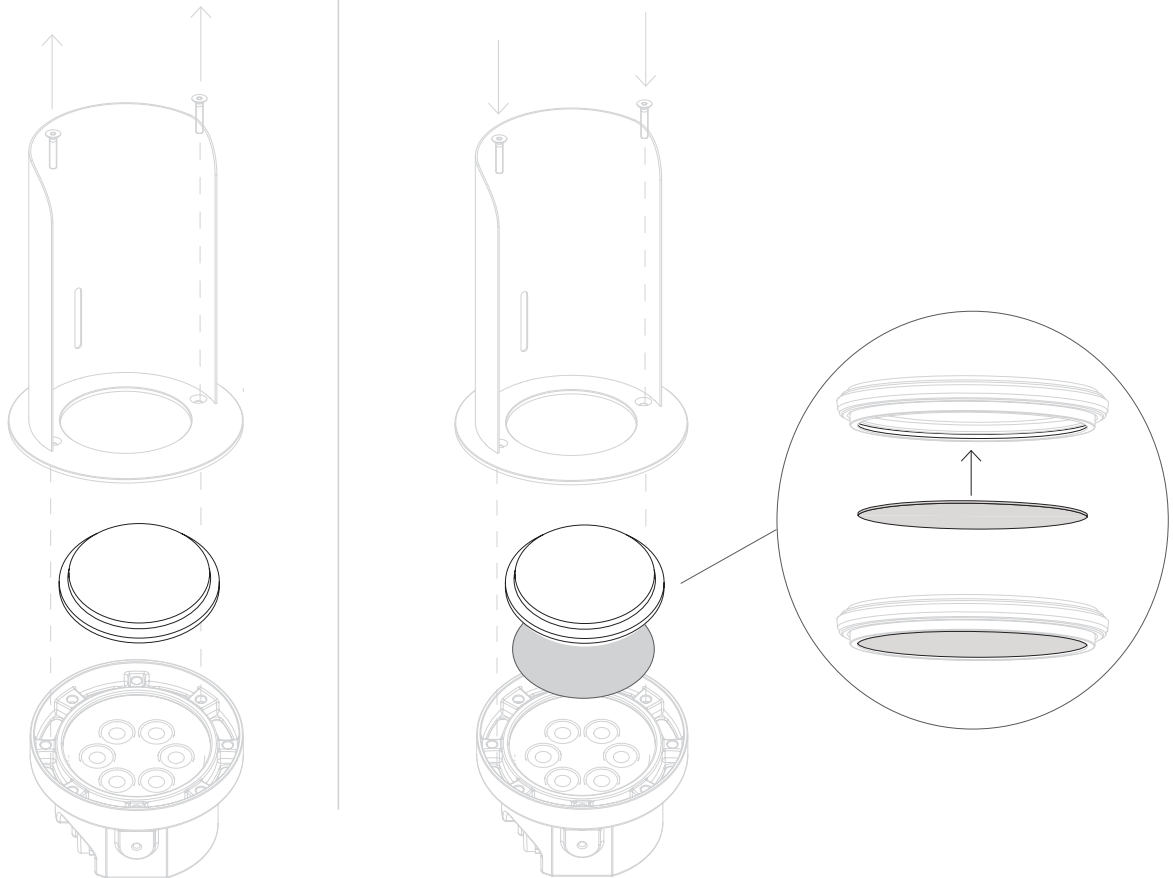
---



MINI



SHIELD MINI



Post Sales Support

HQ 1-800-388-3382 support@zaneen.com



## EN

- Installation and electrification must be carried out by a qualified electrician, only.
- Observe all relevant building codes and regulations.
- Prior to installation or repair: disconnect power; it is the installer's responsibility to ensure for all electrical, mechanical and thermal compatibility.
- The LED light source contained in this fixture shall only be replaced by Zaneen, or a person approved by Zaneen.
- Recommendations: Keep the instruction sheet(s) in the event of maintenance and/or disassembly.

Access detailed spec sheets from [www.zaneen.com](http://www.zaneen.com)

## FR

- L'installation et l'électrification doivent être effectuées uniquement par un électricien qualifié.
- Respectez tous les codes du bâtiment et réglementations en vigueur.
- Avant l'installation ou la réparation: débranchez l'alimentation électrique; Il incombe à l'installateur des'assurer de la compatibilité électrique, mécanique et thermique.
- La source de lumière LED contenue dans ce luminaire ne doit être remplacée que par Zaneen, ou une personne approuvée par Zaneen.
- Recommandations: Conservez la (les) fiche (s) d'instructions en cas de maintenance et / ou de démontage

Accéder aux fiches techniques détaillées sur [www.zaneen.com](http://www.zaneen.com)

Disclaimer: Applicable only when Zaneen's lighting fixtures are properly installed on correct line voltage, and under normal conditions of use.

Zaneen Warranties are itemized below:

- All products to be free from defect in materials and workmanship: 1 Year (12 months) Limited Warranty from the invoice date (excluding lamps)
- LED engines and Power Supplies: 5 Years Limited Warranty from the invoice date.
- Transformers and Ballast Warranty: 3 years Limited Warranty from the invoice date.
- Purchaser's sole recourse after the warranty period, for defective power supplies, ballasts or other components manufactured by a third party, is against such third-party manufacturer.

Warranty claims regarding the product(s) must be submitted in writing within 30 days, of discovery of the defect.

Zaneen uses only electrical components, which are produced by responsible manufacturers. Components that may fail in service within the warranty period, under normal use, will be replaced at no charge.

Zaneen will not assume labour or transportation charges in connection with replacement of such parts, nor for removal or re-installation of equipment or parts, nor for consequential damages or losses.

The warranty extended to Zaneen by the manufacturers of the electrical components is passed on to our customers.

At its option, Zaneen will repair or replace, any fixture defective as provided herein if such fixture is returned by the purchaser within the warranty period, provided Zaneen has issued a written "Return Goods Authorization". Such repair or replacement is the exclusive remedy against Zaneen and Zaneen is not responsible for damage of any sort whatsoever, including incidental and consequential damages or losses.

This warranty extends only to replacement defective fixtures or components and no allowance will be made for labour or transportation charges in connection with replacement of such parts, nor for removal or re-installation of equipment or parts unless specifically authorized in writing by Zaneen prior to any work being performed.

This warranty only applies when the products are installed in applications in which ambient temperatures are within normal temperatures and are operated within the electrical values shown on the LED driver label.

Zaneen Interior rated luminaries are not protected from environmental conditions, such as salt content from sea air. Therefore, any damages resulting from exposure to salt air, or other harmful environmental conditions, will not be covered under Zaneen Warranty.

Zaneen will not be responsible under warranty for any failure of the product that results directly or indirectly from improper installation and/or external causes such as: acts of nature, physical damage, and exposure to adverse or hazardous chemicals or other substances, use of harsh cleaning agent or harsh chemicals.

Warranty for any substantial deterioration in the product finish caused by failure to clean, inspect or maintain the finish of the product. The end user is responsible for the structural integrity of existing foundations, anchorages, or structures and all consequences arising from their use.

Zaneen will not be responsible under warranty for any failure of the product that results directly or indirectly from improper installation and/or external causes such as: acts of nature, physical damage, and exposure to adverse or hazardous chemicals or other substances, use of harsh cleaning agent or harsh chemicals.

The end user is responsible for the structural integrity of existing foundations, anchorages, or structures and all consequences arising from their use.