

## SLIDER SUSPENSION SYSTEM SPECIFICATION SHEET

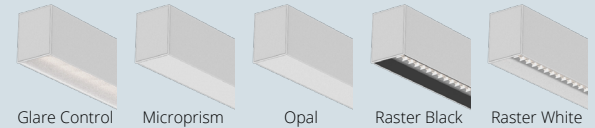
PROJECT	_____
TYPE	_____
NOTES	_____
QUANTITY	_____
DATE	_____



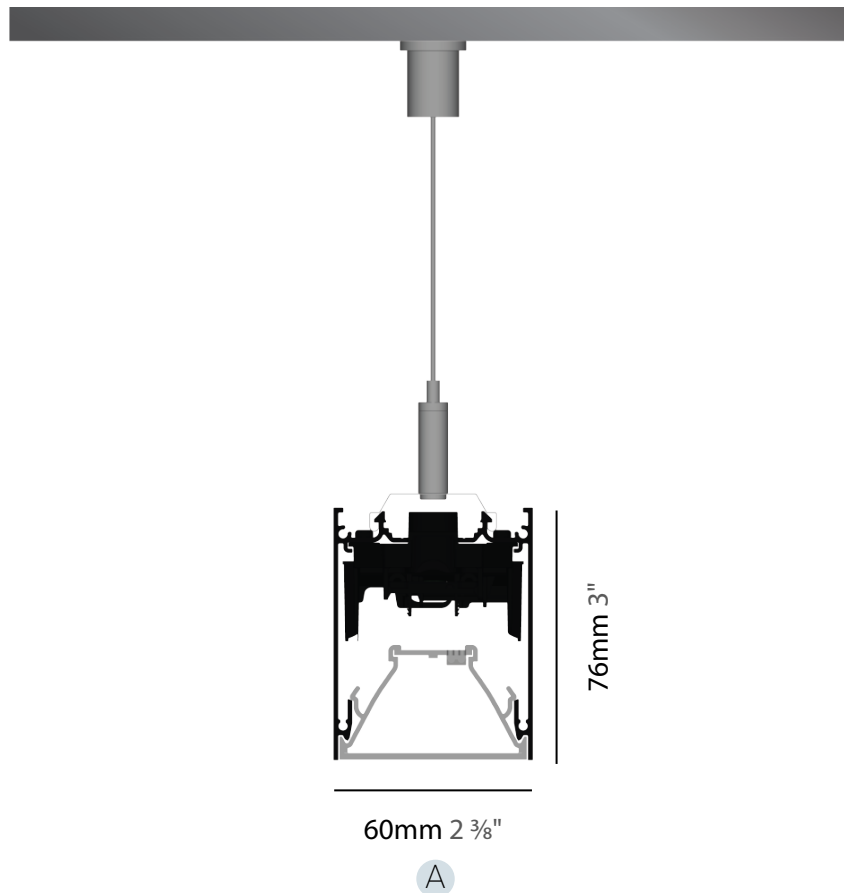
### ARCHITECTURAL | SLIDER

With its sleek and compact design, measuring only 60mm in width and 76mm in height, SLIDER is the perfect luminaire for spaces where style and space-saving are paramount. Whether it's for office space, commercial, or hospitality settings, Slider adds a touch of elegance to any space while making it easier and faster than ever to install and maintain your lighting system. Achieve the perfect balance of aesthetics and functionality with high lumen output, and multiple lens options to make versatile choices. The unique combination possibilities elevates projects to new heights of creativity and versatility.

To offer the best lighting for workplaces, Slider can be customized with a RASTER to ensure that the lighting concept meets all required standards. To support a consistent and harmonious room concept and create a coherent appearance of the lighting system, the Raster can be configured in black or white.



### SYSTEM PROFILE



## SLIDER SUSPENSION SYSTEM SPECIFICATION SHEET

PROJECT \_\_\_\_\_  
 TYPE \_\_\_\_\_  
 NOTES \_\_\_\_\_  
 QUANTITY \_\_\_\_\_  
 DATE \_\_\_\_\_

### SYSTEM GUIDE

To make your product selection and complete system specification, proceed with the following: review system options, create your system code in the field below and include your quantity. For the components, use the field beside each product name. Submit to quotes@zaneen.com to receive a formal BOM and finalized model numbers.

UPON REQUEST  
 Additional Options \_\_\_\_\_  
 \_\_\_\_\_ Color Temperature  
 \_\_\_\_\_ RGB-W / Tunable  
 \_\_\_\_\_ Lumen Output  
 \_\_\_\_\_ CRI



EXAMPLE A3SLI-SUS-SYS-UNV-DN-27K-DIR-OP-S-01-01-R-01-2M

**SYSTEM BUILD CODE: A3SLI-SUS-SYS-** **qty**

<b>ELECTRICAL</b>	Voltage	Dimming	Circuit	CCT - 90 CRI
	<b>UNV - 120/277V</b>	<b>DN - Non Dimming</b>	<b>2C - 2 Circuit Operation</b>	<b>27K - 2700K</b>
	<b>120 - 120V</b>	<b>DV - 0-10V (100-1%)</b>	<b>EMCIR - Emergency Circuit</b>	<b>30K - 3000K</b>
	<b>347 - 347V</b>	<b>DD - DALI (100-1%)</b>		<b>35K - 3500K</b>
	<b>MT - Matter Dimming</b>		<b>40K - 4000K</b>	
			<b>TW - Tunable White - 2700K - 6500K (MAX)</b>	


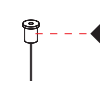

	Wattage	Delivered Lumen max.† (lm)				
<b>Direct</b>	<b>(W)</b>	<b>2700K</b>	<b>3000K</b>	<b>3500K</b>	<b>4000K</b>	<b>Tunable White</b>
<b>Per meter</b>	21.5	3031	3076	3112	3165	3112
<b>Per foot</b>	6.5	924	938	948	965	948

†Microprism diffuser; Approximate values.

	Wattage	Delivered Lumen max.‡ (lm)				
<b>Direct/Indirect</b>	<b>(W)</b>	<b>2700K/2700K</b>	<b>3000K/ 3000K</b>	<b>3500K/ 3500K</b>	<b>4000K/ 4000K</b>	<b>TW/TW</b>
<b>Per meter</b>	38.7	5516	5596	5659	5758	5659
<b>Per foot</b>	11.8	1681	1706	1725	1755	1725

‡Microprism direct diffuser + Opal indirect diffuser; Approximate values.

<b>PHYSICAL</b>	Distribution	Direct Diffuser	Indirect Diffuser	Run Shapes*
	<b>DIR - Direct</b> <b>DIR/IND - Direct/Indirect</b>	<b>OP - Opal</b> <b>MP - Microprism</b> <b>RB - Raster Black</b> <b>RW - Raster White</b> <b>GC - Glare Control</b> <b>CP - Clear Microprism</b> <b>DW - Double Wallwash</b> <b>WL - Wallwash Left</b> <b>WR - Wallwash Right</b>	<b>OP - Opal</b> <b>BW - Batwing</b>	<b>S</b> _____ ' Straight <b>L</b> _____ 'x _____ ' <b>U</b> _____ 'x _____ 'x _____ ' <b>R</b> _____ 'x _____ ' <small>Rectangle</small> <b>T</b> _____ 'x _____ ' <b>X</b> _____ 'x _____ ' <b>PAT - Custom Pattern</b> <small>(Consult factory with drawings)</small>

Finish	Canopy	Cable Length
Profile <input type="checkbox"/> _____  See page 5 for color options and use 2 digit numbers to indicate your choices	Installation Clip <input type="checkbox"/> _____ (28 colors) 	<b>R - Round</b> <input type="checkbox"/> _____ (28 colors) <b>SQ - Square</b> <input type="checkbox"/> _____ (28 colors) 
		<b>2M - 2000mm</b> <b>6M - 6000mm</b>

\*The closest possible length will be provided based on the system's standard modules. See available sizes in the next page.

Please indicate on you drawings where the diffuser options are required. Wallwash light direction can be indicated with arrows.

## SLIDER SUSPENSION SYSTEM SPECIFICATION SHEET

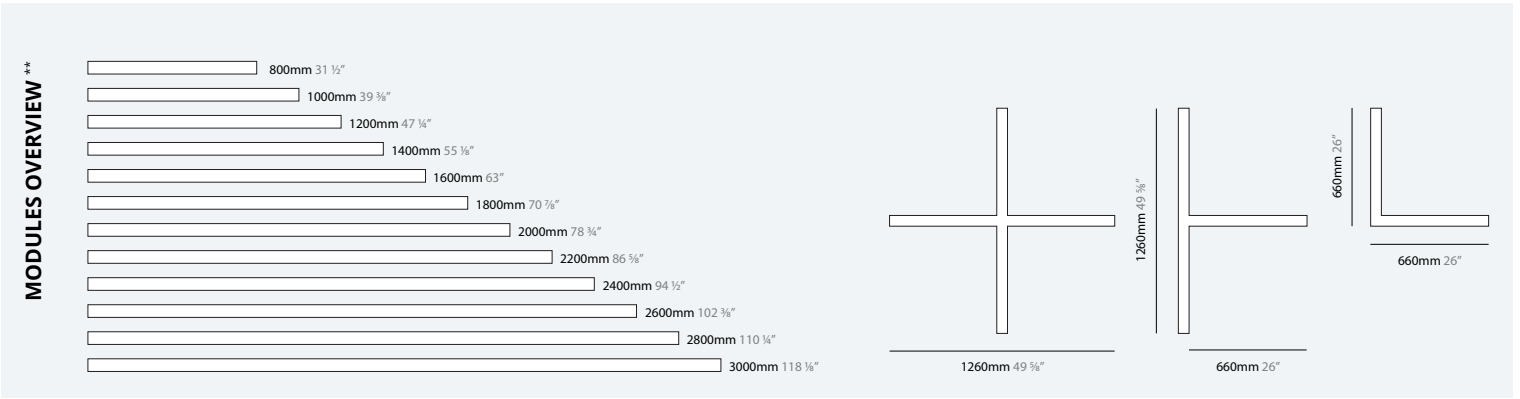
PROJECT \_\_\_\_\_

TYPE \_\_\_\_\_

NOTES \_\_\_\_\_

QUANTITY \_\_\_\_\_

DATE \_\_\_\_\_



\*\*Microprism, Double Wallwash, Wallwash Left and Wallwash Right diffusers are not available in X and T shapes.

FINISHES OPTIONS:													
See page 5 for color options and use 2 digit numbers to indicate your choices													
<b>END-CAP</b>	<table border="1"> <thead> <tr> <th>END CAP PLASTIC</th> <th>A380625-</th> <th>qty</th> </tr> </thead> <tbody> <tr> <td></td> <td>Finish</td> <td></td> </tr> <tr> <td></td> <td>02 - Black Velvet</td> <td></td> </tr> <tr> <td></td> <td>03 - Crystal White</td> <td></td> </tr> </tbody> </table>	END CAP PLASTIC	A380625-	qty		Finish			02 - Black Velvet			03 - Crystal White	
	END CAP PLASTIC	A380625-	qty										
		Finish											
		02 - Black Velvet											
	03 - Crystal White												
<table border="1"> <thead> <tr> <th>END CAP PAINTED</th> <th>A380626-</th> <th>qty</th> </tr> </thead> <tbody> <tr> <td></td> <td>Finish</td> <td></td> </tr> <tr> <td></td> <td>◆ ____ (28 colors)</td> <td></td> </tr> </tbody> </table>	END CAP PAINTED	A380626-	qty		Finish			◆ ____ (28 colors)					
END CAP PAINTED	A380626-	qty											
	Finish												
	◆ ____ (28 colors)												
<table border="1"> <thead> <tr> <th>RASTER END CAP PLASTIC</th> <th>A380629-</th> <th>qty</th> </tr> </thead> <tbody> <tr> <td></td> <td>Finish</td> <td></td> </tr> <tr> <td></td> <td>02 - Black Velvet</td> <td></td> </tr> <tr> <td></td> <td>03 - Crystal White</td> <td></td> </tr> </tbody> </table>	RASTER END CAP PLASTIC	A380629-	qty		Finish			02 - Black Velvet			03 - Crystal White		
RASTER END CAP PLASTIC	A380629-	qty											
	Finish												
	02 - Black Velvet												
	03 - Crystal White												
<table border="1"> <thead> <tr> <th>RASTER END CAP PAINTED</th> <th>A380630-</th> <th>qty</th> </tr> </thead> <tbody> <tr> <td></td> <td>Finish</td> <td></td> </tr> <tr> <td></td> <td>◆ ____ (28 colors)</td> <td></td> </tr> </tbody> </table>	RASTER END CAP PAINTED	A380630-	qty		Finish			◆ ____ (28 colors)					
RASTER END CAP PAINTED	A380630-	qty											
	Finish												
	◆ ____ (28 colors)												

PROJECT	_____
TYPE	_____
NOTES	_____
QUANTITY	_____
DATE	_____

### SYSTEM SUMMARY

#### System

##### Type

Suspension  
Rated for Dry Locations Ceiling Mounted

##### Approval Status

Certified to North American Standards

##### Emission

Refer to emission icon beside each light insert and symbol legend for descriptions

#### Profile

##### Measurement

w 60mm (2 3/8") x ht. 76mm (3")

##### Housing

Aluminum extruded profile available in a variety of lengths or factory cut to meet preferred design intent  
Profiles have a maximum length of 3000mm (9' 10 1/4") and joined together with couplers to ensure uniform appearance and easy installation

##### Suspension Lengths

Standard lengths include 2000mm and 6000mm  
Any custom length must be pre-cut on site  
Maximum custom length available is 10000mm

#### Electrical

##### Connections

Luminaries are pre-wired with a factory installed branch circuit wiring and quick-release connectors.  
Through wiring is used to connect the luminaries.

##### Power Feed

Located 2 inches from one end of the fixture, on top of the profile  
If a different location is required, please specify  
3 Wires - non-dimming or phase dimming  
4 Wires - two circuits of non-dimming or phase dimming  
5 Wires - 0-10V dimming or dali dimming

##### LED Driver

Integrated with inserts  
Electronic Class 2 driver, Universal 120V/277V  
Non-Dimming Driver, Phase Dimming Driver, and 0-10V Dimming Driver (10-100%)  
Consult factory for driver cutsheet  
If a different driver is required, please specify

##### Emergency Inverter Compatible

To be installed remotely, and provided by others  
It can be located up to 250m away from the fixture

Emergency circuit wiring is available upon request (Isolated track with dedicated driver used for emergency circuit will connect to emergency battery pack - supplied by others)

#### General

##### Features

SLIDER's innovative product concept ensures that it is suitable for a wide range of projects, from commercial spaces such as offices, retail stores, and hotels, to residential applications like homes and apartments. Whether you need to create a focused task lighting or a vibrant atmosphere, SLIDER can meet your lighting needs with its versatile options.

The performance of this lighting system offers maximum efficiency with excellent glare control. The endless configuration possibilities of this product family allow visible but at the same time glare-free light with a UGR of less than 19 and offer optimal conditions to meet all required lux values for workplace lighting.

The innovative RASTER has a significantly higher central light intensity compared to a regular OPAL diffuser.

TUNABLE WHITE is available for all functions of the SLIDER FAMILY and thus offers ideal conditions for use in office lighting to achieve the desired and required uniformity.

End-caps, L, X, and T connectors can be specified with a different color option to create unique combinations.

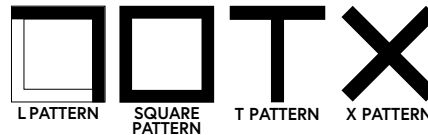
##### Custom Requests and Additional Options

Availability depends on insert, system, and configuration.  
Must consult factory and allow up to 5 business days for an answer.

Color temperature, Special CRI, RGB-W, tunable, individual sizes, special diffuser, light inserts with different outputs, light inserts on different circuits.

##### Configuration

Consult factory for patterns or custom designs  
Provide configuration drawings



\*Shop drawings provided upon receiving purchase order

#### Warranty

ZANEEN provides a limited warranty from date of purchase to original purchaser

**LED Inserts:** 5 year tested for 50,000 hours at 70% lumen output (L70)

**LED Driver:** 5 year

**Non-Electrical Components:** 1 year

\*Check boxes to complete specification order and submit to quotes@zaneen.com to receive a formal BOM and a finalized model number

\*In a constant effort to supply the best product, we reserve the right to change specifications or materials without notice. The most recent specification sheets are found at zaneen.com

## SLIDER SUSPENSION SYSTEM SPECIFICATION SHEET

PROJECT \_\_\_\_\_  
 TYPE \_\_\_\_\_  
 NOTES \_\_\_\_\_  
 QUANTITY \_\_\_\_\_  
 DATE \_\_\_\_\_

### FINISH COLORS



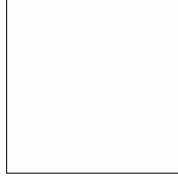
Sparkling Silver - 01



Black Velvet - 02



Crystal White - 03



Creamy - 04



Hampton Bay - 05



Urban Forest - 07



In the Army - 08



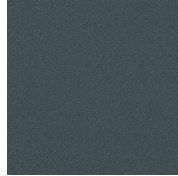
Rusty Angel - 09



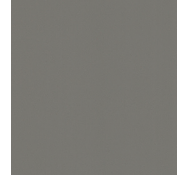
Fade to Grey - 12



Mysterious Grey - 13



Lost Dream - 15



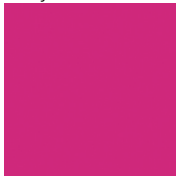
Purple Sky - 16



Fresh Oh - 17



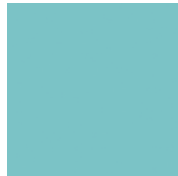
Funky P - 18



Kissing Aphrodite - 19



Poseidon's Paradise - 20



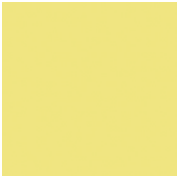
Blue Sky - 21



Spring Green - 22



Mellow Yellow - 23



Golden Heart - 24



Gun Metal - 25



Champagne Cream - 26



Copper Mine - 27



Ancient Bronze - 28



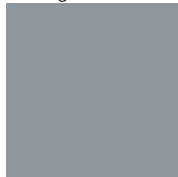
Jazz Gold - 29



Olive Breeze - 30



Moonlight Silver - 31



Rosewood Red - 32



**Digital:** Not all screens are calibrated the same, and therefore, colors will appear differently between screens.

**Physical:** When texture is involved, there will be variations in color, character and tone within a product series and between product families.

**Gun Metal:** No Gun Metal finish is alike. It combines a mixture of transparent and black color particles which ensures a highly individual effect and no luminaire being identical.

**Champagne Cream, Copper Mine, Ancient Bronze + Jazz Gold:** These finishes have slight fading from specific powder coating production. Each luminaire will slightly vary.

RAL Color Upon Request



### LEGEND

	floor-mounted		pivotal		special LED (upon request) RGB, RGBW, tunable, gold+, meat+, art+, fashion+
	wall and ceiling: recessed and surface mounted		rotating		warm dim / natural dimming LED
	ceiling-mounted and wall-mounted		illuminate tilted		rechargeable battery powered
	wall-mounted		color of suspension cable		fixture with natural vivid LED (upon request)
	omni-directional light distribution		length of suspension cable		color rendering index
	direct light distribution		reflector degree selection		color temperature
	direct/indirect light distribution		super spot		lumen (luminous flux)
	indirect light distribution		lens		efficacy (lumens per watt)
	asymmetric light distribution		lens pack		Unified Glare Rating (UGR) range from 5-40
	aura light distribution		shine ring		marine grade (AISI 316 stainless steel)
	round wall or ceiling cut-out		integrated shine ring with diffuser		walk on
	square wall or ceiling cut-out		free individual colors 01-29		drive on
	the supplied jig specifies the cutout dimensions		individual colors: 00 (free of charge), 01-25 (extra charge)		Dark Sky Compliance
	minimum distance (meters) lamp - object		luminaire part to be colored (F1)		Americans with Disabilities Act (less than 4" off the wall located between 27"-84" from floor)
	recessed depth		luminaire part to be colored (F2)		lamp protected against explosion
	ceiling thickness in mm		luminaire part to be colored (F3)		blown glass using traditional methods by master glass blower
	ceiling thickness selection		luminaire part to be colored (F4)		acoustic material
	dimmable DP (phase), DV (0-10V), DD (dali), DS (step-dim)		luminaire part to be colored (F5)		protection class I, protection insulation
	included or excluded LED driver/transformer/control gear		color of 3-circuit adaptor		protection class II, protection insulation
	separately switchable		indirect diffuser		ETL Certified to UL and CSA Standards
	sensor		direct diffuser		UL Certified to UL and CSA Standards
	remote control		ball-proof (upon request)		CSA Certified to UL and CSA Standards
	available upon request		accessory		Certified for North American Standards

### IP RATING

	protected against ingress of solid bodies greater than 12.5mm (finger)
	protected against ingress of solid bodies greater than 2.5mm protected against sprays of water up to 60 degrees from the vertical (rain)
	protected against ingress of solid bodies greater than 1mm (wire) no protection against the ingress of moisture
	protected against ingress of solid bodies greater than 1mm (wire) protected against sprays of water up to 60 degrees from the vertical (rain)
	protected against ingress of solid bodies greater than 1mm (wire) protected against water splashed from all directions
	protected against limited ingress of dust (wet rooms/covered outdoor areas) protected against water splashed from all directions
	protected against ingress of dust protected against jets of water
	protected against ingress of dust protected against powerful jets of water or heavy seas
	protected against ingress of dust protected against immersion of water between 15cm - 1m for 30 minutes
	protected against ingress of dust protected against immersion of water under pressure for long periods

### IK RATING

	protected against 0.14 joules impact (equivalent to 0.25kg mass dropped from 56mm above the surface)
	protected against 0.2 joules impact (equivalent to 0.25kg mass dropped from 80mm above the surface)
	protected against 0.35 joules impact (equivalent to 0.25kg mass dropped from 140mm above the surface)
	protected against 0.5 joules impact (equivalent to 0.25kg mass dropped from 200mm above the surface)
	protected against 0.7 joules impact (equivalent to 0.25kg mass dropped from 280mm above the surface)
	protected against 1 joules impact (equivalent to 0.25kg mass dropped from 400mm above the surface)
	protected against 2 joules impact (equivalent to 0.5kg mass dropped from 400mm above the surface)
	protected against 5 joules impact (equivalent to 1.7kg mass dropped from 300mm above the surface)
	protected against 10 joules impact (equivalent to 5.0kg mass dropped from 200mm above the surface)
	protected against 20 joules impact (equivalent to 5.0kg mass dropped from 400mm above the surface)

### WIRING DIAGRAMS

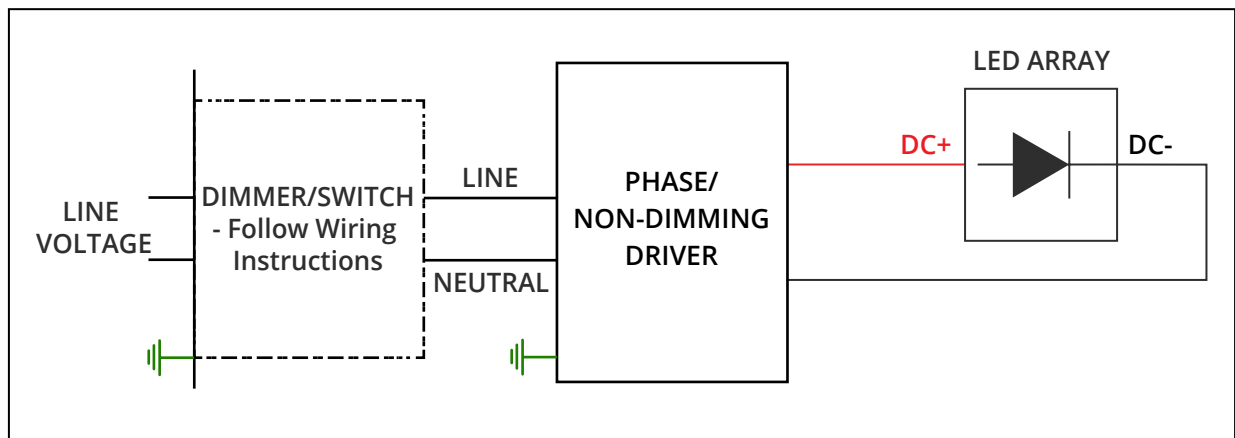
ALL ZANEEN FIXTURES ARE MANUFACTURED TO NORTH AMERICAN ELECTRICAL STANDARDS

Post Sales Support  
HQ 1-800-388-3382 X 625 support@zaneen.com

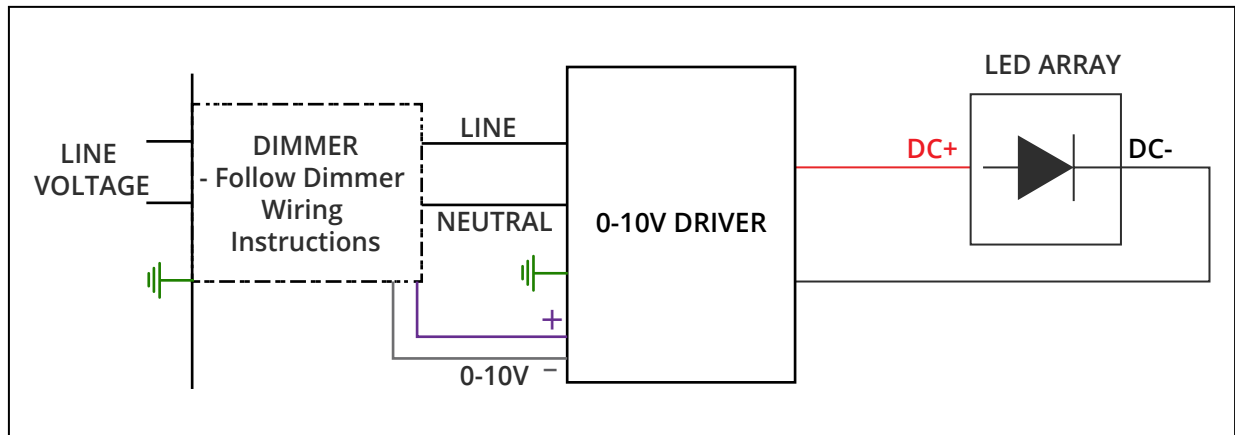
#### IMPORTANT

- Do NOT connect directly to line voltage
- There is a minimum and maximum load per driver (See fixture and driver specifications).
- Fixture MUST be connected to LED driver, prior to turning power on

#### PHASE/NON-DIMMING WIRING DIAGRAM



#### 0-10V DIMMING WIRING DIAGRAM



## SLIDER SUSPENSION SYSTEM SPECIFICATION SHEET

PROJECT \_\_\_\_\_  
TYPE \_\_\_\_\_  
NOTES \_\_\_\_\_  
QUANTITY \_\_\_\_\_  
DATE \_\_\_\_\_

Insert custom drawing here or attach with additional pages

