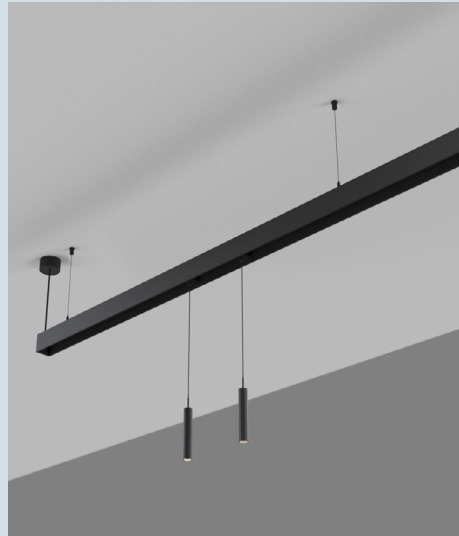


G-50 CHANNEL SUSPENSION SYSTEM SPECIFICATION SHEET

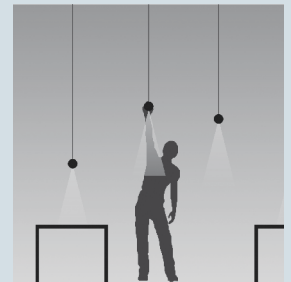
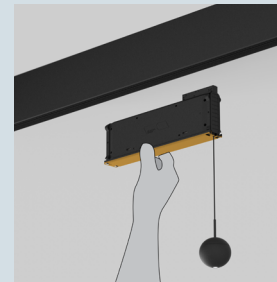
PROJECT	_____
TYPE	_____
NOTES	_____
QUANTITY	_____
DATE	_____



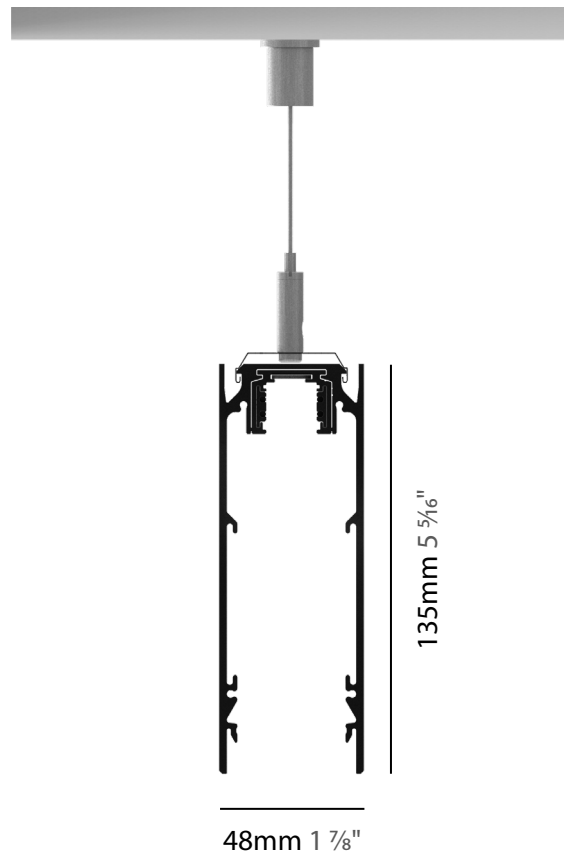
ARCHITECTURAL | G-50 CHANNEL

Let's play. The narrow, suspended profile system G-50 was specially developed for use with the innovative GRAVITY LIFT. Luminaries such as the spherical SNOOKER or the cylindrical HANGOVER can be flexibly adjusted in height using the gravity lift. The magic of the lift system is the infinitely variable adjust-ability with an audible click every 10cm. It gives you the unlimited freedom to design your own focal arrangement and change it at any time.

The lift system directs the light where you need it with an integrated wire extension of up to 5m. An ingenious docking system guarantees rapid changing and locking of the different SNOOKER and HANGOVER modules.



SYSTEM PROFILE



G-50 CHANNEL SUSPENSION SYSTEM SPECIFICATION SHEET

PROJECT _____
 TYPE _____
 NOTES _____
 QUANTITY _____
 DATE _____

SYSTEM GUIDE

To make your product selection and complete system specification, proceed with the following:
 review system options, create your system code in the field below and include your quantity.
 For the inserts and components, use the field beside each product name.
 Submit to quotes@zaneen.com to receive a formal BOM and finalized model numbers.

UPON REQUEST
 Additional Options _____
 _____ Color Temperature
 _____ Lumen Outputs
 _____ Beam Angle
 _____ CRI



EXAMPLE A3G50-SUS-SYS-UNV-DN-1'-mm-01-01-2

SYSTEM BUILD CODE: A3G50-SUS-SYS- **qty**

ELECTRICAL	Voltage	Dimming	Circuit
	UNV - 120/277V	DN - Non Dim	EMCIR - Emergency Circuit
	120 - 120V	DV - 0-10V (100-1%)	
	347 - 347V	DD - DALI (100-1%)	

LAYOUT	Fixture Head Spacing	Length	System Finishes	Cable Length
	1' - on center 2' - on center 4' - on center CUS (XX) - Custom <small>Spotlights - Minimum distance of 7" Pendants - Minimum distance of 1' 2"</small>	Specify in mm _____ Specify in X'-X" _____	Gravity lift* <input type="checkbox"/> _____ Installation Clip <input type="checkbox"/> _____ Power Feed <input type="checkbox"/> _____ *(For pendant inserts) ◆ (28 colors)	2 - 2000mm 78 3/4" 6 - 6000mm 236 1/4"

INSERTS	CENTRIQ		INSERT BUILD CODE EXAMPLE: A3T100-DN-27K-01-01-24		FINISHES OPTIONS: See page 7 for color options and use 2 digit numbers to indicate your choices																			
	CENTRIQ Ø30	A3T100-	qty																					
	Wattage: 4.3W 	Dimming DN - Non Dim DV - 0-10V	CCT - 90 CRI 27K - 2700K 30K - 3000K 35K - 3500K 40K - 4000K	Finish ◆ _____ ▲ _____ (28 colors)	Reflector 24 - 24° 32 - 32°	<table border="1"> <thead> <tr> <th colspan="2">Delivered Lumen (lm)</th> </tr> <tr> <th>CCT</th> <th>24°</th> <th>32°</th> </tr> </thead> <tbody> <tr> <td>2700K</td> <td>257</td> <td>230</td> </tr> <tr> <td>3000K</td> <td>272</td> <td>244</td> </tr> <tr> <td>3500K</td> <td>289</td> <td>259</td> </tr> <tr> <td>4000K</td> <td>295</td> <td>264</td> </tr> </tbody> </table>		Delivered Lumen (lm)		CCT	24°	32°	2700K	257	230	3000K	272	244	3500K	289	259	4000K	295	264
	Delivered Lumen (lm)																							
CCT	24°	32°																						
2700K	257	230																						
3000K	272	244																						
3500K	289	259																						
4000K	295	264																						
CENTRIQ Ø40 SUPERSPOT	A3T101-	qty																						
Wattage: 6.3W 	Dimming DN - Non Dim DV - 0-10V	CCT - 90 CRI 27K - 2700K 30K - 3000K 35K - 3500K 40K - 4000K	Finish ◆ _____ ▲ _____ (28 colors)	Reflector 12 - 12°	<table border="1"> <thead> <tr> <th colspan="2">Delivered Lumen (lm)</th> </tr> <tr> <th>CCT</th> <th>12°</th> </tr> </thead> <tbody> <tr> <td>2700K</td> <td>368</td> </tr> <tr> <td>3000K</td> <td>389</td> </tr> <tr> <td>3500K</td> <td>414</td> </tr> <tr> <td>4000K</td> <td>422</td> </tr> </tbody> </table>		Delivered Lumen (lm)		CCT	12°	2700K	368	3000K	389	3500K	414	4000K	422						
Delivered Lumen (lm)																								
CCT	12°																							
2700K	368																							
3000K	389																							
3500K	414																							
4000K	422																							

G-50 CHANNEL SUSPENSION SYSTEM SPECIFICATION SHEET

PROJECT	_____
TYPE	_____
NOTES	_____
QUANTITY	_____
DATE	_____

INSERTS

CENTRIQ

FINISHES OPTIONS:

See page 7 for color options and use 2 digit numbers to indicate your choices

CENTRIQ Ø40	A3T102-					qty						
		Wattage: 6.5W	Dimming	CCT - 90 CRI	Finish	Reflector	Delivered Lumen (lm)					
	DN - Non Dim DV - 0-10V	27K -2700K 30K - 3000K 35K - 3500K 40K - 4000K	◆ ____ ▲ ____ (28 colors)	22 - 22° 30 - 30° 34 - 34° 38 - 38° 48 - 48°								
					CCT	22°	30°	34°	38°	48°		
					2700K	489	471	357	452	444		
					3000K	512	493	374	472	465		
					3500K	564	544	412	520	513		
4000K	575	555	420	531	523							

CENTRIQ Ø55 SUPERSPOT	A3T103-					qty		
		Wattage: 9.3W	Dimming	CCT - 90 CRI	Finish	Delivered Lumen (lm)		
	DN - Non Dim DV - 0-10V	27K -2700K 30K - 3000K 35K - 3500K 40K - 4000K	◆ ____ ▲ ____ (28 colors)	8°				
					CCT	8°		
					2700K	477		
					3000K	505		
					3500K	536		
4000K	547							

CENTRIQ Ø55	A3T104-					qty						
		Wattage: 11.5W	Dimming	CCT - 90 CRI	Finish	Reflector	Delivered Lumen (lm)					
	DN - Non Dim DV - 0-10V	27K -2700K 30K - 3000K 35K - 3500K 40K - 4000K	◆ ____ ▲ ____ (28 colors)	18 - 18° 26 - 26° 34 - 34° 36 - 36° 52 - 52°								
					CCT	18°	26°	34°	36°	52°		
					2700K	750	643	772	804	818		
					3000K	784	673	807	841	856		
					3500K	815	700	839	874	890		
4000K	832	714	856	892	908							

HANGOVER PLUG

HANGOVER PLUG Ø28 H:300	A380041-					qty					
		Wattage: 6.4W	Dimming	CCT - 90 CRI	Finish	Reflector	Shine Ring	Delivered Lumen (lm)			
	DN - Non Dim DV - 0-10V	27K -2700K 30K - 3000K 35K - 3500K 40K - 4000K	◆ ____ ▲ ____ (28 colors)	20 - 20° 26 - 26° 56 - 56°	○ ____ (6 colors) No shine ring: indicate with 00						
						CCT	20°	26°	56°		
						2700K	403	397	381		
						3000K	427	420	404		
						3500K	451	443	426		
4000K	463	455	438								

G-50 CHANNEL SUSPENSION SYSTEM SPECIFICATION SHEET

PROJECT	_____
TYPE	_____
NOTES	_____
QUANTITY	_____
DATE	_____

INSERTS

HANGOVER PLUG

FINISHES OPTIONS:

See page 7 for color options and use 2 digit numbers to indicate your choices

Wattage: 6.4W	Dimming	CCT - 90 CRI	Finish	Reflector	Shine Ring	Delivered Lumen (lm)			
						CCT	20°	26°	56°
	DN - Non Dim DV - 0-10V	27K -2700K 30K - 3000K 35K - 3500K 40K - 4000K	◆ ____ ▲ ____ (28 colors)	20 - 20° 26 - 26° 56 - 56°	○ ____ (6 colors) No shine ring: indicate with 00	2700K	403	397	381
						3000K	427	420	404
						3500K	451	443	426
						4000K	463	455	438

Wattage: 9.8W	Dimming	CCT - 90 CRI	Finish	Reflector	Shine Ring	Delivered Lumen (lm)		
						CCT	40°	52°
	DN - Non Dim DV - 0-10V	27K -2700K 30K - 3000K 35K - 3500K 40K - 4000K	◆ ____ ▲ ____ (28 colors)	40 - 40° 52 - 52°	○ ____ (6 colors) No shine ring: indicate with 00	2700K	694	684
						3000K	726	716
						3500K	753	742
						4000K	770	759

Wattage: 9.8W	Dimming	CCT - 90 CRI	Finish	Reflector	Shine Ring	Delivered Lumen (lm)		
						CCT	40°	52°
	DN - Non Dim DV - 0-10V	27K -2700K 30K - 3000K 35K - 3500K 40K - 4000K	◆ ____ ▲ ____ (28 colors)	40 - 40° 52 - 52°	○ ____ (6 colors) No shine ring: indicate with 00	2700K	694	684
						3000K	726	716
						3500K	753	742
						4000K	770	759

Wattage: 6.4W	Dimming	CCT - 90 CRI	Finish	Reflector	Shine Ring	Delivered Lumen (lm)			
						CCT	6°	22°	38°
	DN - Non Dim DV - 0-10V	27K -2700K 30K - 3000K 35K - 3500K 40K - 4000K	◆ ____ ▲ ____ (28 colors)	6 - 6° 22 - 22° 38 - 38°	○ ____ (6 colors) No shine ring: indicate with 00	2700K	389	335	371
						3000K	412	355	393
						3500K	435	375	415
						4000K	447	385	426

Wattage: 9.6W	Dimming	CCT		Finish	Reflector	Shine Ring	Delivered Lumen (lm)			
		Direct	Indirect				CCT	6°	22°	38°
	DN - Non Dim DV - 0-10V	27K -2700K 30K - 3000K 35K - 3500K 40K - 4000K	27K -2700K 30K - 3000K 40K - 4000K	◆ ____ ▲ ____ (28 colors)	6 - 6° 22 - 22° 38 - 38°	○ ____ (6 colors) No shine ring: indicate with 00	27K/27K	712	656	691
							30K/30K	750	690	728
							35K/30K	770	709	748
							40K/40K	793	730	770

PROJECT	_____
TYPE	_____
NOTES	_____
QUANTITY	_____
DATE	_____

HANGOVER PLUG

FINISHES OPTIONS:

See page 7 for color options and use 2 digit numbers to indicate your choices

ACCESSORY

	INDIRECT DIFFUSER	A380106-	qty
	Finish		Indirect diffuser accessory for Hangover Plug Ø75mm.
<p>— (5 colors - choose 3 letter code below)</p>		<p>Yellow - YEL Orange - ORA Red - RED Blue - BLU Green - GRN</p>	

HANGOVER PLUG DECOR

INSERTS

	Ø28 H:300	A380043-	qty		Ø28 H:450	A380044-	qty
	Finish		Blank track head.		Finish		Blank track head.
<p>◆ — (28 colors)</p>				<p>◆ — (28 colors)</p>			

SNOOKER

SNOOKER	A38862-	qty				
Wattage: 6.4W	Dimming	CCT - 90 CRI	Finish	Reflector	Shine Ring	Delivered Lumen (lm)
	DN - Non Dim	27K - 2700K	<p>◆ — (28 colors)</p>	32 - 32°	<p>○ — (6 colors) No shine ring: indicate with 00</p>	CCT 32° 58°
	DV - 0-10V	30K - 3000K		58 - 58°		2700K 283 310
		35K - 3500K				3000K 300 328
		40K - 4000K				3500K 317 347
						4000K 325 356

SNOOKER DECOR

BLANK GLOBE	A38818-	qty
Finish		
<p>◆ — (28 colors)</p>		

G-50 CHANNEL SUSPENSION SYSTEM SPECIFICATION SHEET

PROJECT	_____
TYPE	_____
NOTES	_____
QUANTITY	_____
DATE	_____

SYSTEM SUMMARY

System

Type

Suspension
Rated for Dry Locations Ceiling Mounted

Approval Status

Certified to North American Standards

Emission

Refer to emission icon beside each light insert and symbol legend for descriptions

Profile

Measurement

w 48mm (1 7/8") x ht. 135mm (5 3/8")

Housing

Anodized extruded aluminum profile available per meter and field-cuttable
Profiles have a maximum length of 3000mm (9' 10 3/8") and joined together with couplers to ensure uniform appearance and easy installation

Suspension Lengths

Standard lengths include 2000mm and 6000mm
Any custom length must be pre-cut on site
Maximum custom length available is 10000mm

Electrical

Connections

Luminaries are pre-wired by factory

Power Feed

Located next to the end cap at the end of the fixture (15mm diameter hole), on top of the profile

If a different location is required, please specify

3 Wires - non-dimming or phase dimming

4 Wires - two circuits of non-dimming or phase dimming

5 Wires - 0-10V dimming or dali dimming

LED Driver

Driver Included with Power Supply Unit (Non-dimming only). 0-10V driver must be remote with supplied enclosure.

Maximum distance between the power supply and the last fixture on the circuit is 30' using a 18-gauge wire. For more than 30', the gauge of the wire must be determined by a certified professional. The length of the fixture specified must be considered within the maximum distance of 3'. Provisions must be made on site for accessibility to the power supplies.

Electronic Class 2 driver, Universal 120V/277V

Non Dimming Driver, Dimming Driver 0-10V (10-100%)

Consult factory for driver cutsheet

If a different driver is required, please specify

Emergency Inverter Compatible

To be installed remotely, and provided by others

It can be located up to 250m away from the fixture

Emergency circuit wiring is available upon request (Isolated track with dedicated driver used for emergency circuit will connect to emergency battery pack - supplied by others)

General

Features

LFO lenses ensure a glare free downlight without illuminating the luminaries housing and the lowest UGR ratings perfect for residential and hospitality applications

Modeling with gravity lift gives you the unlimited freedom to design your own focal arrangement and change it at any time

An ingenious docking system guarantees rapid changing and locking of the different snooker and hangover modules. The glowing shine ring is available in 6 colors

Custom Requests and Additional Options

Availability depends by insert, system, and configuration

Must consult factory and allow up to 5 business days for an answer

Special beam angles, individual sizes, light inserts with different outputs

Configuration

Consult factory for patterns or custom designs

Provide configuration drawings

*Shop drawings provided upon receiving purchase order

Warranty

ZANEEN provides a limited warranty from date of purchase to original purchaser

LED Inserts: 5 year tested for 50,000 hours at 70% lumen output (L70)

LED Driver: 5 year

Non-Electrical Components: 1 year

*Check boxes to complete specification order and submit to quotes@zaneen.com to receive a formal BOM and a finalized model number

*In a constant effort to supply the best product, we reserve the right to change specifications or materials without notice. The most recent specification sheets are found at zaneen.com

G-50 CHANNEL SUSPENSION SYSTEM SPECIFICATION SHEET

PROJECT _____
 TYPE _____
 NOTES _____
 QUANTITY _____
 DATE _____

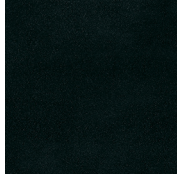
FINISH COLORS



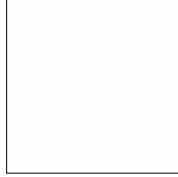
Sparkling Silver - 01



Black Velvet - 02



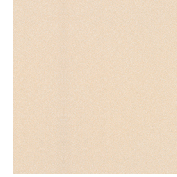
Crystal White - 03



Creamy - 04



Hampton Bay - 05



Urban Forest - 07



In the Army - 08



Rusty Angel - 09



Fade to Grey - 12



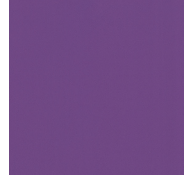
Mysterious Grey - 13



Lost Dream - 15



Purple Sky - 16



Fresh Oh - 17



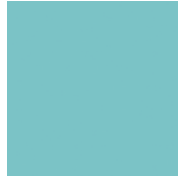
Funky P - 18



Kissing Aphrodite - 19



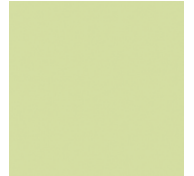
Poseidon's Paradise - 20



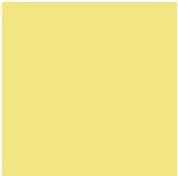
Blue Sky - 21



Spring Green - 22



Mellow Yellow - 23



Golden Heart - 24



Gun Metal - 25



Champagne Cream - 26



Copper Mine - 27



Ancient Bronze - 28



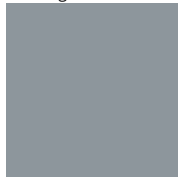
Jazz Gold - 29



Olive Breeze - 30



Moonlight Silver - 31



Rosewood Red - 32



SHINE RING



Opal - 01



Yellow - 02



Orange - 03



Red - 04



Blue - 05



Green - 06



Digital: Not all screens are calibrated the same, and therefore, colors will appear differently between screens.

Physical: When texture is involved, there will be variations in color, character and tone within a product series and between product families.

Gun Metal: No Gun Metal finish is alike. It combines a mixture of transparent and black color particles which ensures a highly individual effect and no luminaire being identical.

Champagne Cream, Copper Mine, Ancient Bronze + Jazz Gold: These finishes have slight fading from specific powder coating production. Each luminaire will slightly vary.

RAL Color Upon Request



G-50 CHANNEL SUSPENSION SYSTEM SPECIFICATION SHEET

PROJECT	_____
TYPE	_____
NOTES	_____
QUANTITY	_____
DATE	_____

LEGEND

	floor-mounted		pivotal		special LED (upon request) RGB, RGBW, tunable, gold+, meat+, art+, fashion+
	wall and ceiling: recessed and surface mounted		rotating		warm dim / natural dimming LED
	ceiling-mounted and wall-mounted		illuminate tilted		rechargeable battery powered
	wall-mounted		color of suspension cable		fixture with natural vivid LED (upon request)
	omni-directional light distribution		length of suspension cable		color rendering index
	direct light distribution		reflector degree selection		color temperature
	direct/indirect light distribution		super spot		lumen (luminous flux)
	indirect light distribution		lens		efficacy (lumens per watt)
	asymmetric light distribution		lens pack		Unified Glare Rating (UGR) range from 5-40
	aura light distribution		shine ring		marine grade (AISI 316 stainless steel)
	round wall or ceiling cut-out		integrated shine ring with diffuser		walk on
	square wall or ceiling cut-out		free individual colors 01-29		drive on
	the supplied jig specifies the cutout dimensions		individual colors: 00 (free of charge), 01-25 (extra charge)		Dark Sky Compliance
	minimum distance (meters) lamp - object		luminaire part to be colored (F1)		Americans with Disabilities Act (less than 4" off the wall located between 27"-84" from floor)
	recessed depth		luminaire part to be colored (F2)		lamp protected against explosion
	ceiling thickness in mm		luminaire part to be colored (F3)		blown glass using traditional methods by master glass blower
	ceiling thickness selection		luminaire part to be colored (F4)		acoustic material
	dimnable DP (phase), DV (0-10V), DD (dali), DS (step-dim)		luminaire part to be colored (F5)		protection class I, protection insulation
	included or excluded LED driver/transformer/control gear		color of 3-circuit adaptor		protection class II, protection insulation
	separately switchable		indirect diffuser		ETL Certified to UL and CSA Standards
	sensor		direct diffuser		UL Certified to UL and CSA Standards
	remote control		ball-proof (upon request)		CSA Certified to UL and CSA Standards
	available upon request		accessory		Certified for North American Standards

IP RATING

	protected against ingress of solid bodies greater than 12.5mm (finger)
	protected against ingress of solid bodies greater than 2.5mm protected against sprays of water up to 60 degrees from the vertical (rain)
	protected against ingress of solid bodies greater than 1mm (wire) no protection against the ingress of moisture
	protected against ingress of solid bodies greater than 1mm (wire) protected against sprays of water up to 60 degrees from the vertical (rain)
	protected against ingress of solid bodies greater than 1mm (wire) protected against water splashed from all directions
	protected against limited ingress of dust (wet rooms/covered outdoor areas) protected against water splashed from all directions
	protected against ingress of dust protected against jets of water
	protected against ingress of dust protected against powerful jets of water or heavy seas
	protected against ingress of dust protected against immersion of water between 15cm - 1m for 30 minutes
	protected against ingress of dust protected against immersion of water under pressure for long periods

IK RATING

	protected against 0.14 joules impact (equivalent to 0.25kg mass dropped from 56mm above the surface)
	protected against 0.2 joules impact (equivalent to 0.25kg mass dropped from 80mm above the surface)
	protected against 0.35 joules impact (equivalent to 0.25kg mass dropped from 140mm above the surface)
	protected against 0.5 joules impact (equivalent to 0.25kg mass dropped from 200mm above the surface)
	protected against 0.7 joules impact (equivalent to 0.25kg mass dropped from 280mm above the surface)
	protected against 1 joules impact (equivalent to 0.25kg mass dropped from 400mm above the surface)
	protected against 2 joules impact (equivalent to 0.5kg mass dropped from 400mm above the surface)
	protected against 5 joules impact (equivalent to 1.7kg mass dropped from 300mm above the surface)
	protected against 10 joules impact (equivalent to 5.0kg mass dropped from 200mm above the surface)
	protected against 20 joules impact (equivalent to 5.0kg mass dropped from 400mm above the surface)

WIRING DIAGRAMS

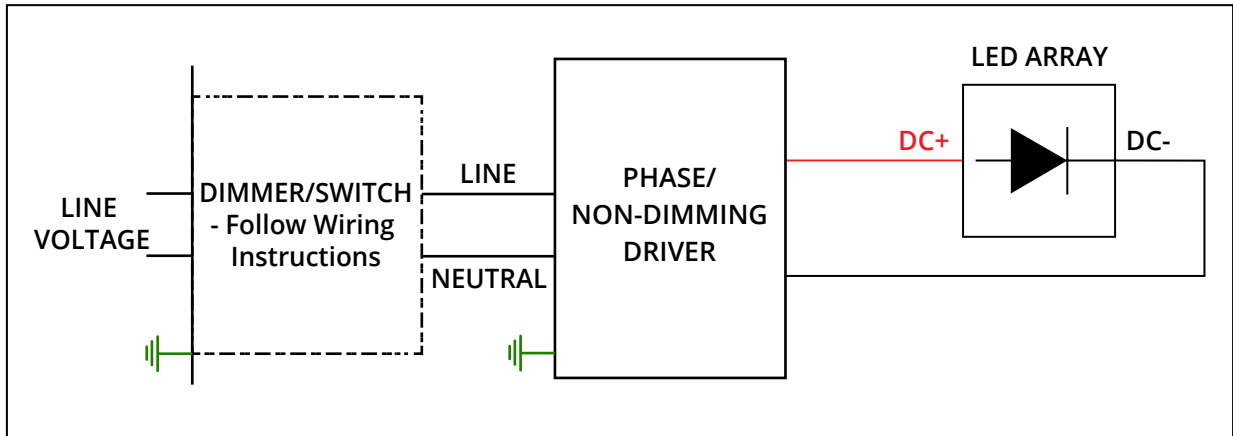
ALL ZANEEN FIXTURES ARE MANUFACTURED TO NORTH AMERICAN ELECTRICAL STANDARDS

Post Sales Support
 HQ 1-800-388-3382 X 625 support@zaneen.com

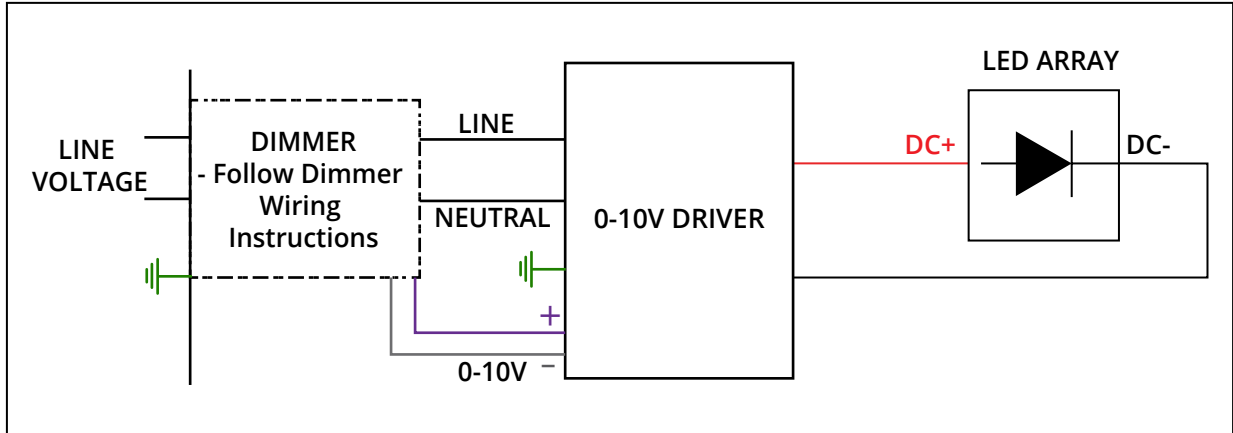
IMPORTANT

- Do NOT connect directly to line voltage
- There is a minimum and maximum load per driver (See fixture and driver specifications).
- Fixture MUST be connected to LED driver, prior to turning power on

PHASE/NON-DIMMING WIRING DIAGRAM



0-10V DIMMING WIRING DIAGRAM



G-50 CHANNEL SUSPENSION SYSTEM SPECIFICATION SHEET

PROJECT	_____
TYPE	_____
NOTES	_____
QUANTITY	_____
DATE	_____

Insert custom drawing here or attach with additional pages

