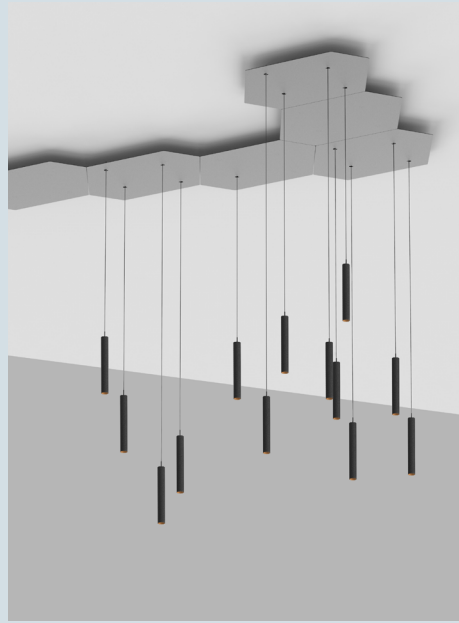


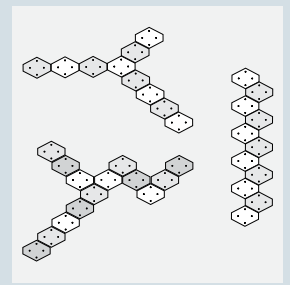
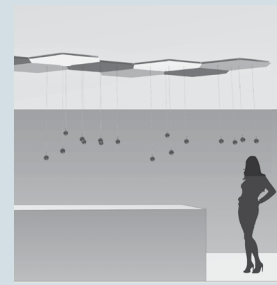
G-BOARD SURFACE SYSTEM SPECIFICATION SHEET

PROJECT	_____
TYPE	_____
NOTES	_____
QUANTITY	_____
DATE	_____



ARCHITECTURAL | G-BOARD

Kinetically graphic light compositions. The modular ceiling elements G-50 BOARD are surface-mounted and can hold up to four SNOOKER or HANGOVER lights with GRAVITY LIFT for flexible height adjustment of the lights. Combined with each other, the G-50 BOARDS transform any ceiling into a graphic pattern. Covers are available for openings in which no luminaire is installed.



SYSTEM PROFILE



G-BOARD SURFACE SYSTEM SPECIFICATION SHEET

PROJECT _____
 TYPE _____
 NOTES _____
 QUANTITY _____
 DATE _____

SYSTEM GUIDE

To make your product selection and complete system specification, proceed with the following:
 review system options, create your system code in the field below and include your quantity.
 For the inserts and components, use the field beside each product name.
 Submit to quotes@zaneen.com to receive a formal BOM and finalized model numbers.

UPON REQUEST
 Additional Options _____
 _____ Color Temperature
 _____ Lumen Outputs
 _____ Beam Angle
 _____ CRI



EXAMPLE A3GB-SUR-SYS-UNV-DN-EMCIR

SYSTEM BUILD CODE: A3GB-SUR-SYS- qty

ELECTRICAL	Voltage	Dimming	Circuit
	UNV - 120/277V	DN - Non Dim	EMCIR - Emergency Circuit
	120 - 120V	DV - 0-10V (100-1%)	
	347 - 347V	DD - DALI (100-1%)	

BOARD	ALUMINUM BOARD	A38950-	qty
		BUILD CODE EXAMPLE: A38950-01-01 FINISHES OPTIONS: See page 6 for color options and use 2 digit numbers to indicate your choices	Finish ◆ _____ ▲ _____ (28 colors)

INSERTS	HANGOVER PLUG	A380041-					qty																			
	Wattage: 6.4W	Dimming	CCT - 90 CRI	Finish	Reflector	Shine Ring	Delivered Lumen (lm)																			
		DN - Non Dim DV - 0-10V	27K - 2700K 30K - 3000K 35K - 3500K 40K - 4000K	◆ _____ ▲ _____ (28 colors)	20 - 20° 26 - 26° 56 - 56°	_____ (6 colors) No shine ring: indicate with 00	<table border="1"> <thead> <tr> <th>CCT</th> <th>20°</th> <th>26°</th> <th>56°</th> </tr> </thead> <tbody> <tr> <td>2700K</td> <td>403</td> <td>397</td> <td>381</td> </tr> <tr> <td>3000K</td> <td>427</td> <td>420</td> <td>404</td> </tr> <tr> <td>3500K</td> <td>451</td> <td>443</td> <td>426</td> </tr> <tr> <td>4000K</td> <td>463</td> <td>455</td> <td>438</td> </tr> </tbody> </table>	CCT	20°	26°	56°	2700K	403	397	381	3000K	427	420	404	3500K	451	443	426	4000K	463	455
CCT	20°	26°	56°																							
2700K	403	397	381																							
3000K	427	420	404																							
3500K	451	443	426																							
4000K	463	455	438																							

INSERTS	HANGOVER PLUG	A380042-					qty																			
	Wattage: 6.4W	Dimming	CCT - 90 CRI	Finish	Reflector	Shine Ring	Delivered Lumen (lm)																			
		DN - Non Dim DV - 0-10V	27K - 2700K 30K - 3000K 35K - 3500K 40K - 4000K	◆ _____ ▲ _____ (28 colors)	20 - 20° 26 - 26° 56 - 56°	_____ (6 colors) No shine ring: indicate with 00	<table border="1"> <thead> <tr> <th>CCT</th> <th>20°</th> <th>26°</th> <th>56°</th> </tr> </thead> <tbody> <tr> <td>2700K</td> <td>403</td> <td>397</td> <td>381</td> </tr> <tr> <td>3000K</td> <td>427</td> <td>420</td> <td>404</td> </tr> <tr> <td>3500K</td> <td>451</td> <td>443</td> <td>426</td> </tr> <tr> <td>4000K</td> <td>463</td> <td>455</td> <td>438</td> </tr> </tbody> </table>	CCT	20°	26°	56°	2700K	403	397	381	3000K	427	420	404	3500K	451	443	426	4000K	463	455
CCT	20°	26°	56°																							
2700K	403	397	381																							
3000K	427	420	404																							
3500K	451	443	426																							
4000K	463	455	438																							

PROJECT	_____
TYPE	_____
NOTES	_____
QUANTITY	_____
DATE	_____

HANGOVER PLUG

FINISHES OPTIONS:

See page 6 for color options and use 2 digit numbers to indicate your choices

INSERTS

Ø40 H:150	A380107-					qty			
Wattage: 9.8W	Dimming	CCT - 90 CRI		Finish	Reflector	Shine Ring	Delivered Lumen (lm)		
	DN - Non Dim	27K -2700K		◆ ____	40 - 40°	○ ____	CCT	40°	52°
	DV - 0-10V	30K - 3000K		▲ ____	52 - 52°	(6 colors)	2700K	694	684
		35K - 3500K		(28 colors)		No shine ring: indicate with 00	3000K	726	716
		40K - 4000K					3500K	753	742
							4000K	770	759

Ø40 H:300	A380108-					qty			
Wattage: 9.8W	Dimming	CCT - 90 CRI		Finish	Reflector	Shine Ring	Delivered Lumen (lm)		
	DN - Non Dim	27K -2700K		◆ ____	40 - 40°	○ ____	CCT	40°	52°
	DV - 0-10V	30K - 3000K		▲ ____	52 - 52°	(6 colors)	2700K	694	684
		35K - 3500K		(28 colors)		No shine ring: indicate with 00	3000K	726	716
		40K - 4000K					3500K	753	742
							4000K	770	759

HANGOVER PLUG Ø75 H:150	A380111-				qty					
Wattage: 6.4W	Dimming	CCT - 90 CRI		Finish	Reflector	Shine Ring	Delivered Lumen (lm)			
	DN - Non Dim	27K -2700K		◆ ____	6 - 6°	○ ____	CCT	6°	22°	38°
	DV - 0-10V	30K - 3000K		▲ ____	22 - 22°	(6 colors)	2700K	389	335	371
		35K - 3500K		(28 colors)	38 - 38°	No shine ring: indicate with 00	3000K	412	355	393
		40K - 4000K					3500K	435	375	415
							4000K	447	385	426

Ø75 H:150 DIR/IND	A3xxxx-				qty					
Wattage: 9.6W	Dimming	CCT - Direct	CCT - Indirect	Finish	Reflector	Shine Ring	Delivered Lumen (lm)			
	DN - Non Dim	27K -2700K	27K -2700K	◆ ____	6 - 6°	○ ____	CCT	6°	22°	38°
	DV - 0-10V	30K - 3000K	30K - 3000K	▲ ____	22 - 22°	(6 colors)	27K/27K	712	656	691
		35K - 3500K	40K - 4000K	(28 colors)	38 - 38°	No shine ring: indicate with 00	30K/30K	750	690	728
		40K - 4000K					35K/30K	770	709	748
							40K/40K	793	730	770

ACCESSORY

INDIRECT DIFFUSER	A380106-					qty		
	Finish							
	____ (5 colors - choose 3 letter code below)					Indirect diffuser accessory for Hangover Plug Ø75mm.		
	Yellow - YEL	Orange - ORA	Red - RED	Blue - BLU	Green - GRN			

PROJECT _____

TYPE _____

NOTES _____

QUANTITY _____

DATE _____

INSERTS

HANGOVER PLUG DECOR

<p>300mm 11 3/8"</p> <p>Ø28mm 1 1/8"</p>	Ø28 H:300	A380043-	qty
	Finish ◆ _____ Blank track head. ▲ _____ (28 colors)		

FINISHES OPTIONS:

See page 6 for color options and use 2 digit numbers to indicate your choices

<p>450mm 17 3/8"</p> <p>Ø28mm 1 1/8"</p>	Ø28 H:450	A380044-	qty
	Finish ◆ _____ Blank track head. ▲ _____ (28 colors)		

SNOOKER

SNOOKER	A38862-		qty					
Wattage: 6.4W	Dimming	CCT - 90 CRI	Finish	Reflector	Shine Ring	Delivered Lumen (lm)		
<p>Ø72mm 2 13/16"</p>	DN - Non Dim DV - 0-10V	27K - 2700K 30K - 3000K 35K - 3500K 40K - 4000K	◆ _____ ▲ _____ (28 colors)	32 - 32° 58 - 58°	(6 colors) No shine ring: indicate with 00	CCT		
						32°	58°	
						2700K	283	310
						3000K	300	328
						3500K	317	347
4000K	325	356						

SNOOKER DECOR

BLANK GLOBE	A38818-	qty
Finish		
◆ _____ (28 colors)		

PROJECT	_____
TYPE	_____
NOTES	_____
QUANTITY	_____
DATE	_____

SYSTEM SUMMARY

System

Type

Surface
Rated for Dry Locations Ceiling Mounted

Approval Status

Certified to North American Standards

Emission

Refer to emission icon beside each light insert and symbol legend for descriptions

Profile

Measurement

L. 990mm (39") x w. 745mm (29 3/8") x ht. 50mm (1 15/16")

Housing

Aluminum canopy available as a single structure or joined together with connectors to make an interesting uniformed ceiling installation

Electrical

Connections

Luminaries are pre-wired by factory

Power Feed

Located in the center of the ceiling holder
3 Wires - non-dimming or phase dimming
4 Wires - two circuits of non-dimming or phase dimming
5 Wires - 0-10V dimming or dali dimming

LED Driver

Driver Included with Power Supply Unit - mounted in the center of G-Board next to gravity lift units
Electronic Class 2 driver, Universal 120V/277V
Non Dimming Driver, Dimming Driver 0-10V (10-100%)
Consult factory for driver cutsheet
If a different driver is required, please specify

Emergency Inverter Compatible

To be installed remotely, and provided by others
It can be located up to 250m away from the fixture

Emergency circuit wiring is available upon request (Isolated track with dedicated driver used for emergency circuit will connect to emergency battery pack - supplied by others)

General

Features

Korona Cone is a glare-reduction cone that sits in front of the reflector - available in 28 standard colors, thus creating a special decorative effect

LFO lenses ensure a glare free downlight without illuminating the luminaries housing and the lowest UGR ratings perfect for residential and hospitality applications

Modeling with gravity lift gives you the unlimited freedom to design your own focal arrangement and change it at any time

An ingenious docking system guarantees rapid changing and locking of the different snooker and hangover modules. The glowing shine ring is available in 6 colors

Custom Requests and Additional Options

Availability depends by insert, system, and configuration
Must consult factory and allow up to 5 business days for an answer

Special beam angles, individual sizes, light inserts with different outputs

Configuration

Consult factory for patterns or custom designs
Provide configuration drawings

*Shop drawings provided upon receiving purchase order

Warranty

ZANEEN provides a limited warranty from date of purchase to original purchaser

LED Inserts: 5 year tested for 50,000 hours at 70% lumen output (L70)

LED Driver: 5 year

Non-Electrical Components: 1 year

*Check boxes to complete specification order and submit to quotes@zaneen.com to receive a formal BOM and a finalized model number

*In a constant effort to supply the best product, we reserve the right to change specifications or materials without notice. The most recent specification sheets are found at zaneen.com

PROJECT _____
 TYPE _____
 NOTES _____
 QUANTITY _____
 DATE _____

FINISH COLORS



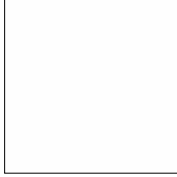
Sparkling Silver - 01



Black Velvet - 02



Crystal White - 03



Creamy - 04



Hampton Bay - 05



Urban Forest - 07



In the Army - 08



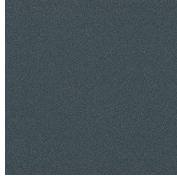
Rusty Angel - 09



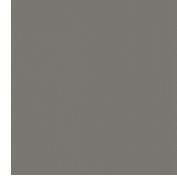
Fade to Grey - 12



Mysterious Grey - 13



Lost Dream - 15



Purple Sky - 16



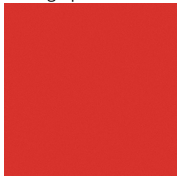
Fresh Oh - 17



Funky P - 18



Kissing Aphrodite - 19



Poseidon's Paradise - 20



Blue Sky - 21



Spring Green - 22



Mellow Yellow - 23



Golden Heart - 24



Gun Metal - 25



Champagne Cream - 26



Copper Mine - 27



Ancient Bronze - 28



Jazz Gold - 29



Olive Breeze - 30



Moonlight Silver - 31



Rosewood Red - 32



SHINE RING



Opal - 01



Yellow - 02



Orange - 03



Red - 04



Blue - 05



Green - 06



Digital: Not all screens are calibrated the same, and therefore, colors will appear differently between screens.

Physical: When texture is involved, there will be variations in color, character and tone within a product series and between product families.

Gun Metal: No Gun Metal finish is alike. It combines a mixture of transparent and black color particles which ensures a highly individual effect and no luminaire being identical.

Champagne Cream, Copper Mine, Ancient Bronze + Jazz Gold: These finishes have slight fading from specific powder coating production. Each luminaire will slightly vary.

RAL Color Upon Request



LEGEND

	floor-mounted		pivotal		special LED (upon request) RGB, RGBW, tunable, gold+, meat+, art+, fashion+
	wall and ceiling: recessed and surface mounted		rotating		warm dim / natural dimming LED
	ceiling-mounted and wall-mounted		illuminate tilted		rechargeable battery powered
	wall-mounted		color of suspension cable		fixture with natural vivid LED (upon request)
	omni-directional light distribution		length of suspension cable		color rendering index
	direct light distribution		reflector degree selection		color temperature
	direct/indirect light distribution		super spot		lumen (luminous flux)
	indirect light distribution		lens		efficacy (lumens per watt)
	asymmetric light distribution		lens pack		Unified Glare Rating (UGR) range from 5-40
	aura light distribution		shine ring		marine grade (AISI 316 stainless steel)
	round wall or ceiling cut-out		integrated shine ring with diffuser		walk on
	square wall or ceiling cut-out		free individual colors 01-29		drive on
	the supplied jig specifies the cutout dimensions		individual colors: 00 (free of charge), 01-25 (extra charge)		Dark Sky Compliance
	minimum distance (meters) lamp - object		luminaire part to be colored (F1)		Americans with Disabilities Act (less than 4" off the wall located between 27"-84" from floor)
	recessed depth		luminaire part to be colored (F2)		lamp protected against explosion
	ceiling thickness in mm		luminaire part to be colored (F3)		blown glass using traditional methods by master glass blower
	ceiling thickness selection		luminaire part to be colored (F4)		acoustic material
	dimmable DP (phase), DV (0-10V), DD (dali), DS (step-dim)		luminaire part to be colored (F5)		protection class I, protection insulation
	included or excluded LED driver/transformer/control gear		color of 3-circuit adaptor		protection class II, protection insulation
	separately switchable		indirect diffuser		ETL Certified to UL and CSA Standards
	sensor		direct diffuser		UL Certified to UL and CSA Standards
	remote control		ball-proof (upon request)		CSA Certified to UL and CSA Standards
	available upon request		accessory		Certified for North American Standards

IP RATING

	protected against ingress of solid bodies greater than 12.5mm (finger)
	protected against ingress of solid bodies greater than 2.5mm protected against sprays of water up to 60 degrees from the vertical (rain)
	protected against ingress of solid bodies greater than 1mm (wire) no protection against the ingress of moisture
	protected against ingress of solid bodies greater than 1mm (wire) protected against sprays of water up to 60 degrees from the vertical (rain)
	protected against ingress of solid bodies greater than 1mm (wire) protected against water splashed from all directions
	protected against limited ingress of dust (wet rooms/covered outdoor areas) protected against water splashed from all directions
	protected against ingress of dust protected against jets of water
	protected against ingress of dust protected against powerful jets of water or heavy seas
	protected against ingress of dust protected against immersion of water between 15cm - 1m for 30 minutes
	protected against ingress of dust protected against immersion of water under pressure for long periods

IK RATING

	protected against 0.14 joules impact (equivalent to 0.25kg mass dropped from 56mm above the surface)
	protected against 0.2 joules impact (equivalent to 0.25kg mass dropped from 80mm above the surface)
	protected against 0.35 joules impact (equivalent to 0.25kg mass dropped from 140mm above the surface)
	protected against 0.5 joules impact (equivalent to 0.25kg mass dropped from 200mm above the surface)
	protected against 0.7 joules impact (equivalent to 0.25kg mass dropped from 280mm above the surface)
	protected against 1 joules impact (equivalent to 0.25kg mass dropped from 400mm above the surface)
	protected against 2 joules impact (equivalent to 0.5kg mass dropped from 400mm above the surface)
	protected against 5 joules impact (equivalent to 1.7kg mass dropped from 300mm above the surface)
	protected against 10 joules impact (equivalent to 5.0kg mass dropped from 200mm above the surface)
	protected against 20 joules impact (equivalent to 5.0kg mass dropped from 400mm above the surface)

WIRING DIAGRAMS

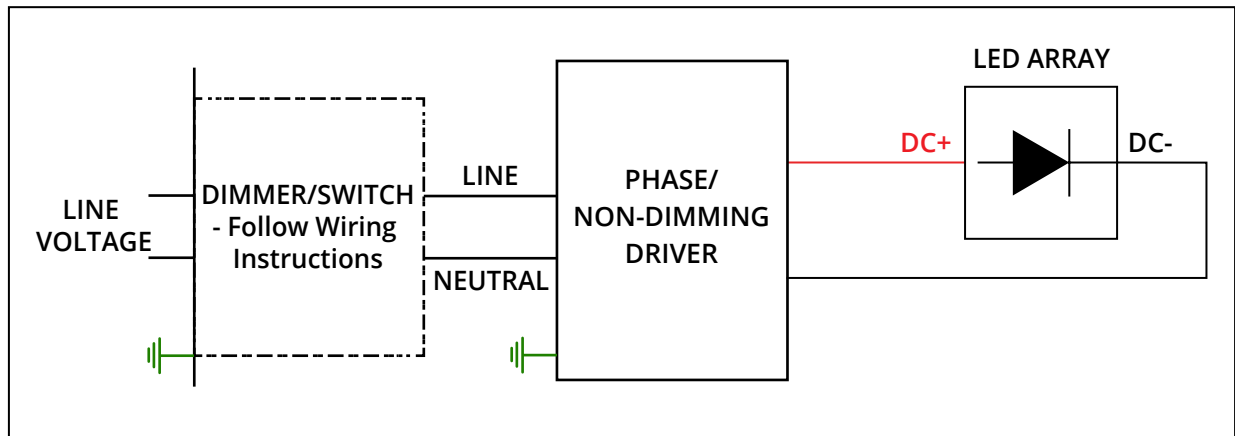
ALL ZANEEN FIXTURES ARE MANUFACTURED TO NORTH AMERICAN ELECTRICAL STANDARDS

Post Sales Support
HQ 1-800-388-3382 X 625 support@zaneen.com

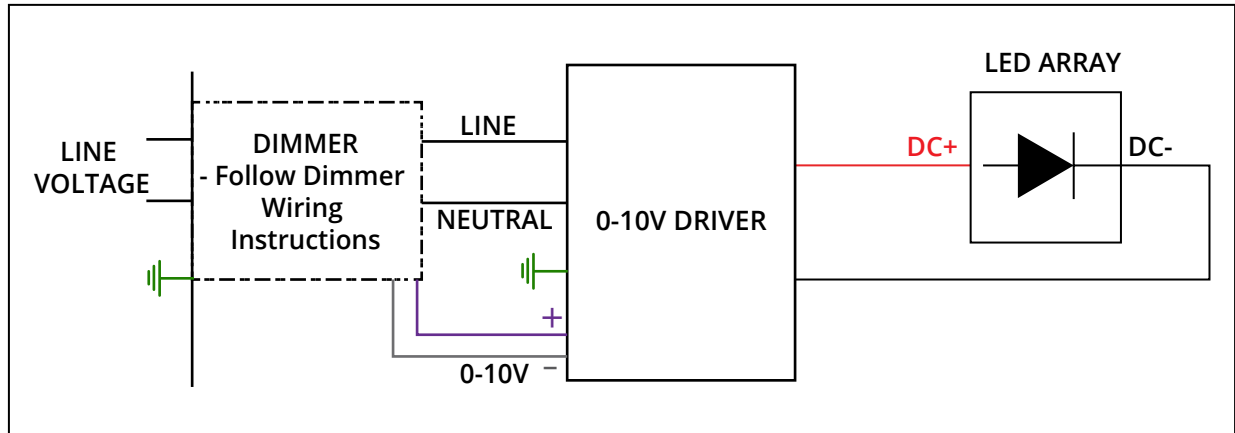
IMPORTANT

- Do NOT connect directly to line voltage
- There is a minimum and maximum load per driver (See fixture and driver specifications).
- Fixture MUST be connected to LED driver, prior to turning power on

PHASE/NON-DIMMING WIRING DIAGRAM



0-10V DIMMING WIRING DIAGRAM



G-BOARD SURFACE SYSTEM SPECIFICATION SHEET

PROJECT _____
TYPE _____
NOTES _____
QUANTITY _____
DATE _____

Insert custom drawing here or attach with additional pages

