

T4 POST
INSTALLATION GUIDE

ZANEEN®

Certified for
North
American
Standards



IP 65





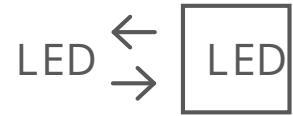
Warning electrical hazard
Make sure that connection plugs and sockets are placed in dry places and not in places where accumulation of water may occur.



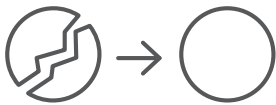
Installation and start-up
It is mandatory that the installation and start-up of the appliance be carried out by qualified personnel in accordance with the applicable regulations.



Switching off the power supply
Switch off the power supply before any intervention on the equipment.



Replacement of LED module and power supply cable
If available, and if necessary, replacement of the LED module and power cable should only be carried out by the manufacturer. It is therefore recommended to contact the retailer.



Screen replacement
Replace the screen of the device if it is damaged before using it.



Cable type
Only use cables of the indicated type.

IP LAMPS

IP connection system
The connection system for IP devices must be made in a junction box with a degree of protection suitable for the environment where it is located, in compliance with the facility regulations.



Maintenance
Clean the devices periodically by removing dirt build-up that may settle on the grids or screw heads.



Instructions for device cleaning
When cleaning the devices, use neutral, non-aggressive or abrasive cleaning agents and avoid contact between liquids and electrical components.



Avoid contact with chemicals
No part of the device should be in direct contact with aggressive chemicals (e.g. fertilisers, herbicides, etc.).



Any changes to the device are forbidden without prior authorisation
The safety of the device and its proper functioning is only guaranteed by complying with European electrical regulations.



Avoid installation in waterlogged areas
In the case of fixed ground or roadside fixtures (posts and poles), avoid installation in depressions or areas of water stagnation.



High temperature risk
High environmental temperatures caused by particular climatic conditions or other heat sources may reduce the life and efficiency of the components or the LED module.



Refer to operating instructions
Keep the assembly instructions for possible maintenance or disassembly by qualified personnel.



For all lighting devices, maintenance of the installation must be carried out at scheduled intervals, in accordance with the current installation standards, which must include the following operations:

Check the tightness of the screws securing the various parts of the unit;

Check the integrity of all cable glands and cables;

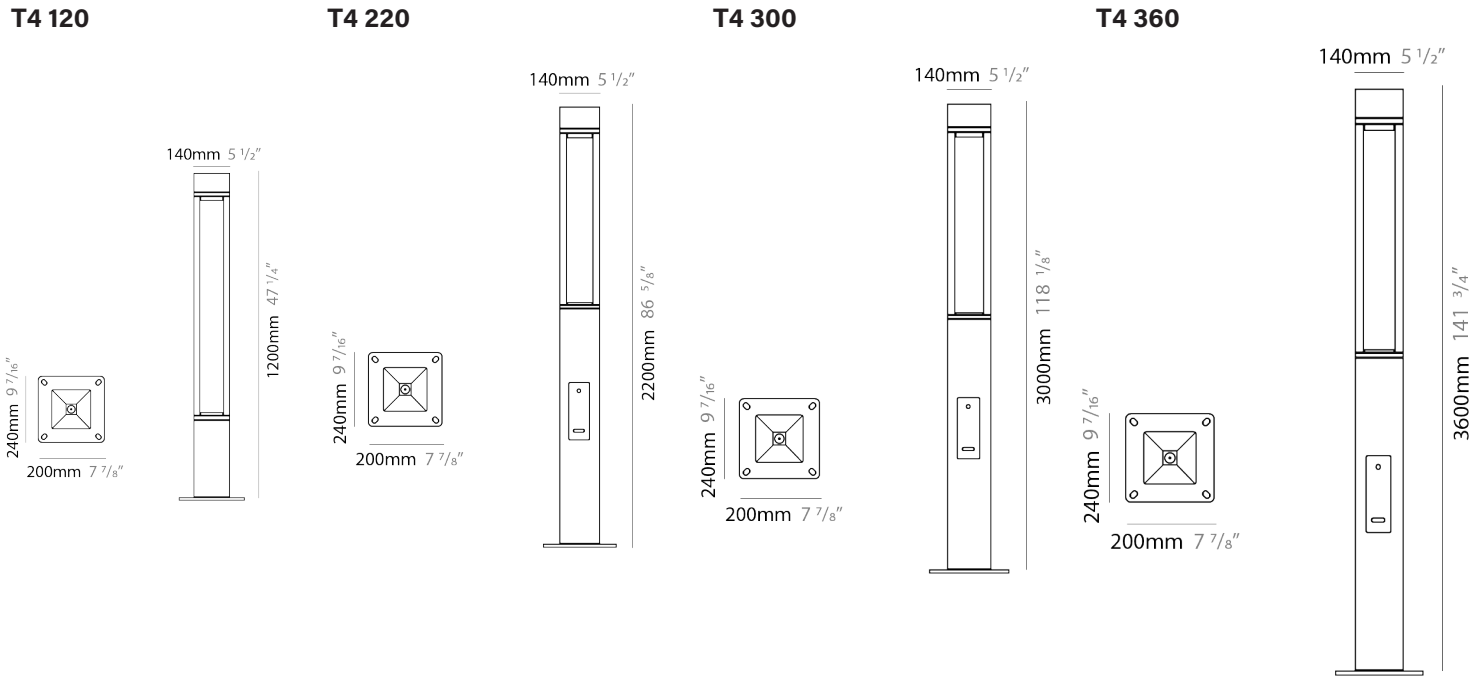
Check the tightness of the cable glands;

Check the integrity and elasticity of the gaskets, which must not be damaged, dry, pinched or broken;

Check for any accumulation of water inside the unit or the formwork.

Internal components such as the power supply unit, transformer, terminal box, etc. must not show consistent signs of rust or oxidation. The presence of such signs indicates a possible penetration of water inside the device. If components are damaged, they must be replaced before putting the appliance back into service using original spare parts only.

Technical drawing



Technical data

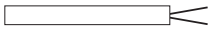
ON-OFF	T4 120	T4 220	T4 300	T4 360
Lights	white LED	white LED	white LED	white LED
Power supply	120-277V 50/60Hz	120-277V 50/60Hz	120-277V 50/60Hz	120-277V 50/60Hz
Plug in power	21 W	26 W	39 W	39 W
Class	□	□	□	□
IP	65	65	65	65
IK	10	10	10	10
Weight	12,4 Kg	23,6 Kg	28,8 Kg	31,4 Kg

DALI	T4 120	T4 220	T4 300	T4 360
Lights	white LED	white LED	white LED	white LED
Power supply	120-277V 50/60Hz	120-277V 50/60Hz	120-277V 50/60Hz	120-277V 50/60Hz
Plug in power	21 W	26 W	39 W	39 W
Class	□	□	□	□
Dimmable	Dimming	Dimming	Dimming	Dimming
IP	65	65	65	65
IK	10	10	10	10
Weight	12,4 Kg	23,6 Kg	28,8 Kg	31,4 Kg

T4 120

1

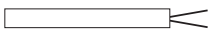
ON/OFF



LINE = BROWN

NEUTRAL = BLUE

DIMMING



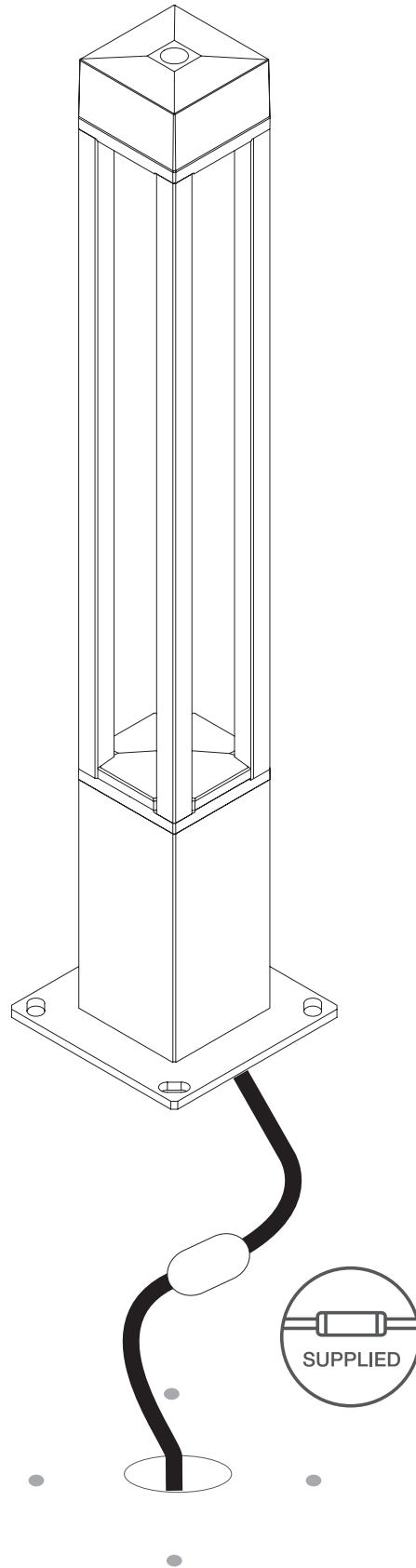
LINE = BROWN

NEUTRAL = BLUE

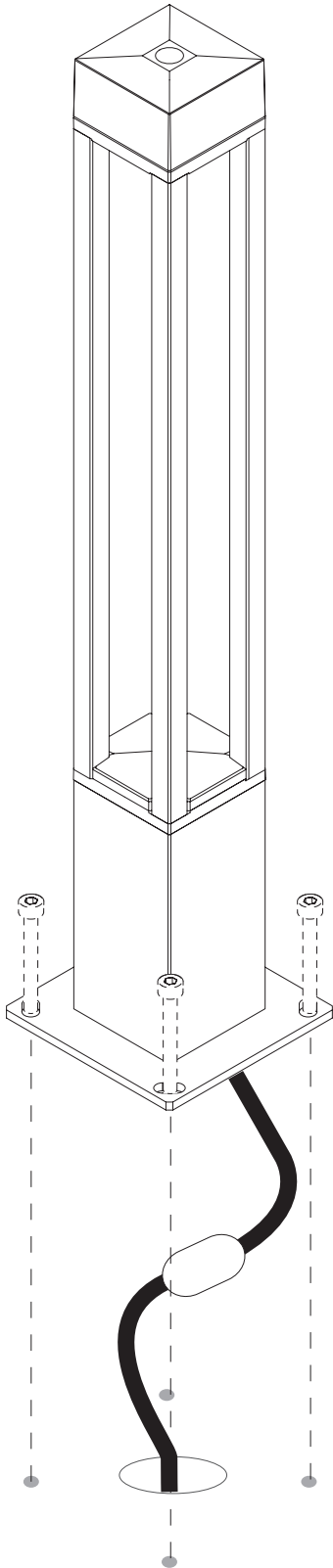


DA1 = BROWN

DA2 = BLUE



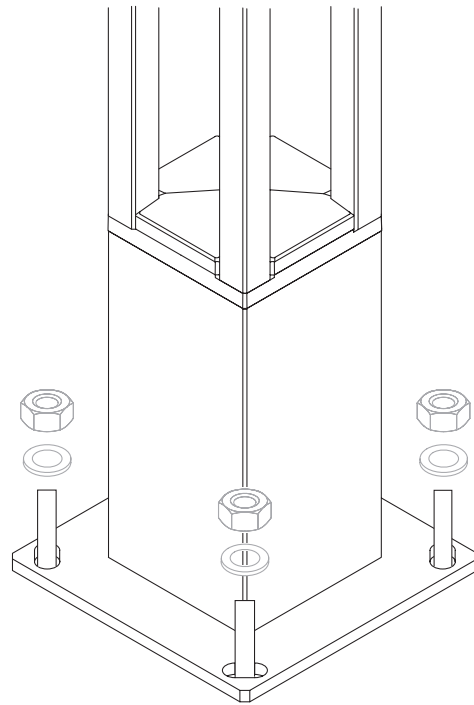
2a



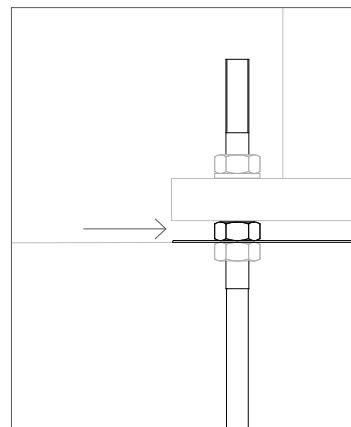
2b



TIE-ROD



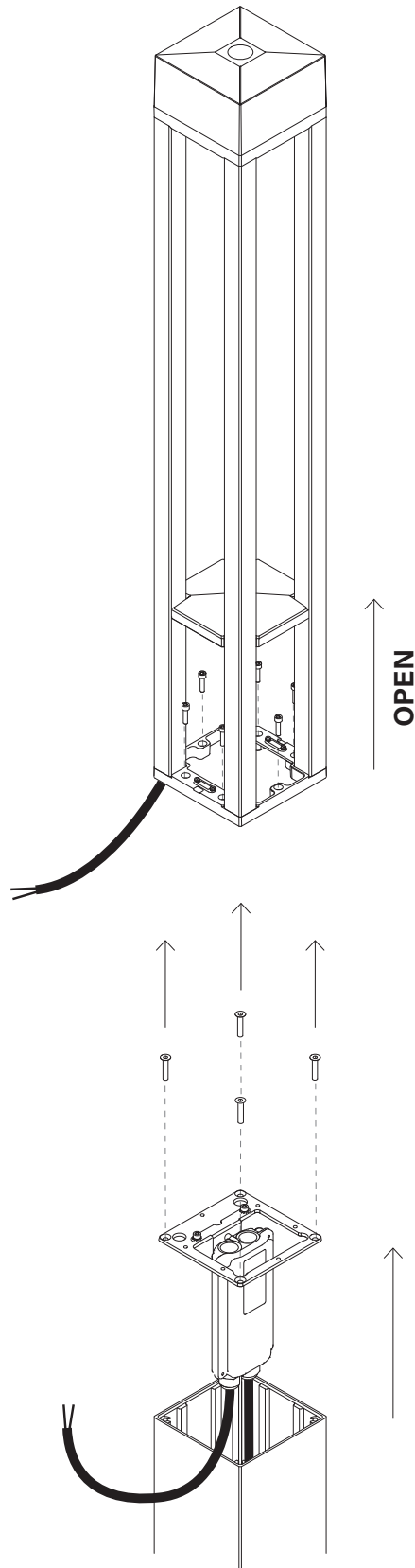
ADJUSTABILITY



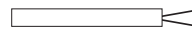
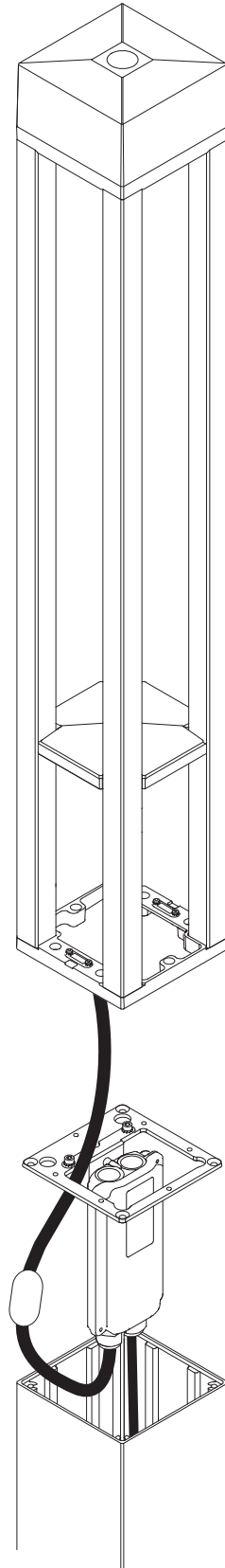
T4 220 - 300 - 360



①

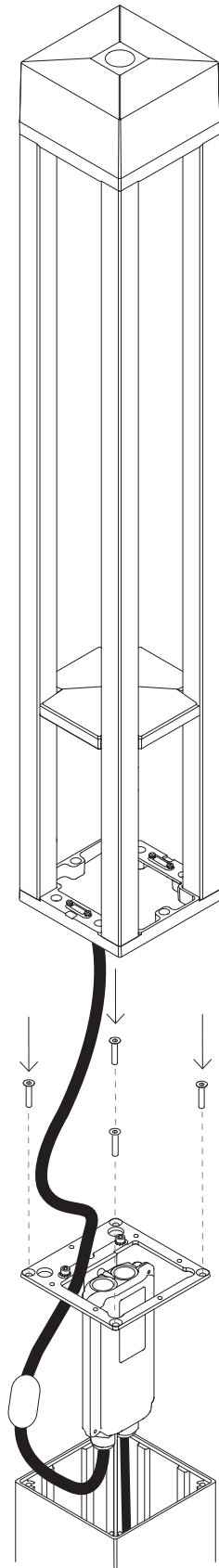


2

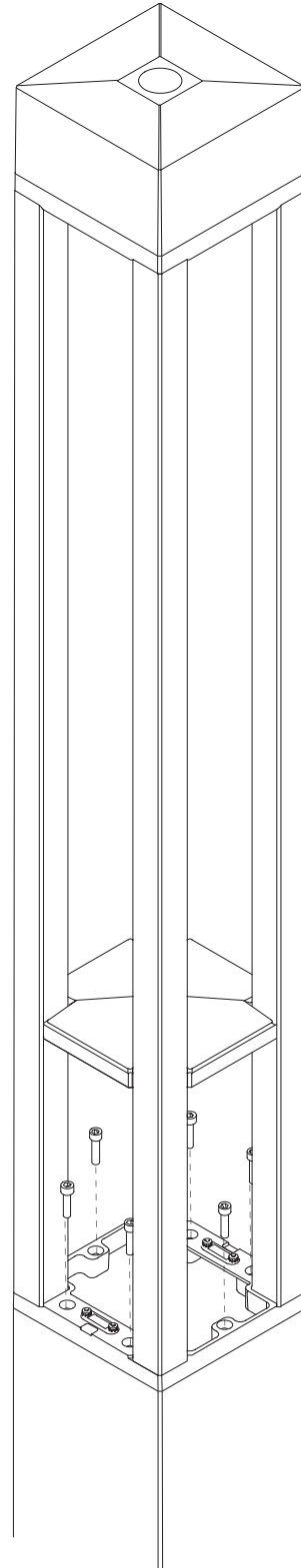


BLACK = NEGATIVE

RED = POSITIVE



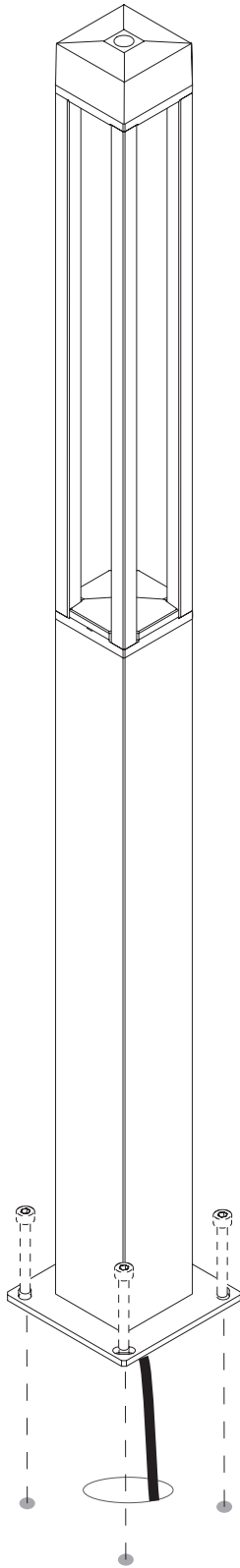
3



4

CLOSE

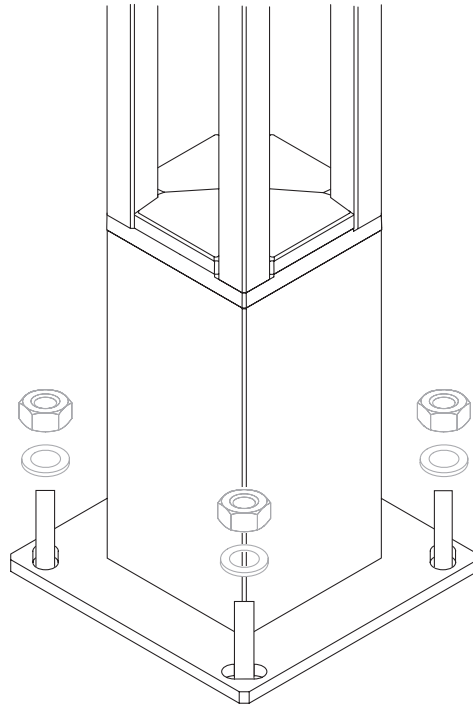
5a



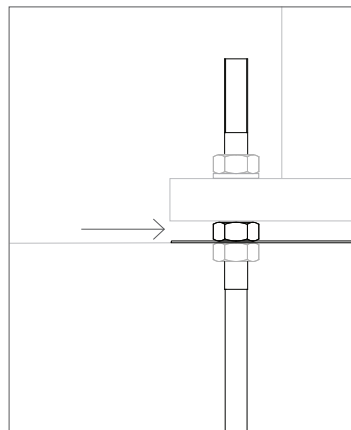
5b



TIE-ROD

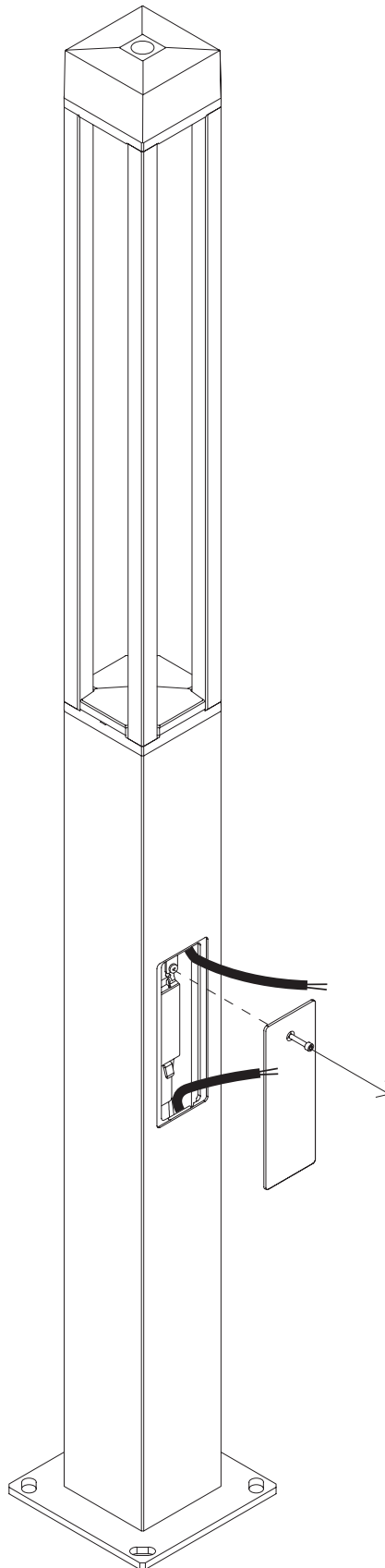


ADJUSTABILITY





6





7

ON/OFF



LINE = BROWN

NEUTRAL = BLUE

DIMMING

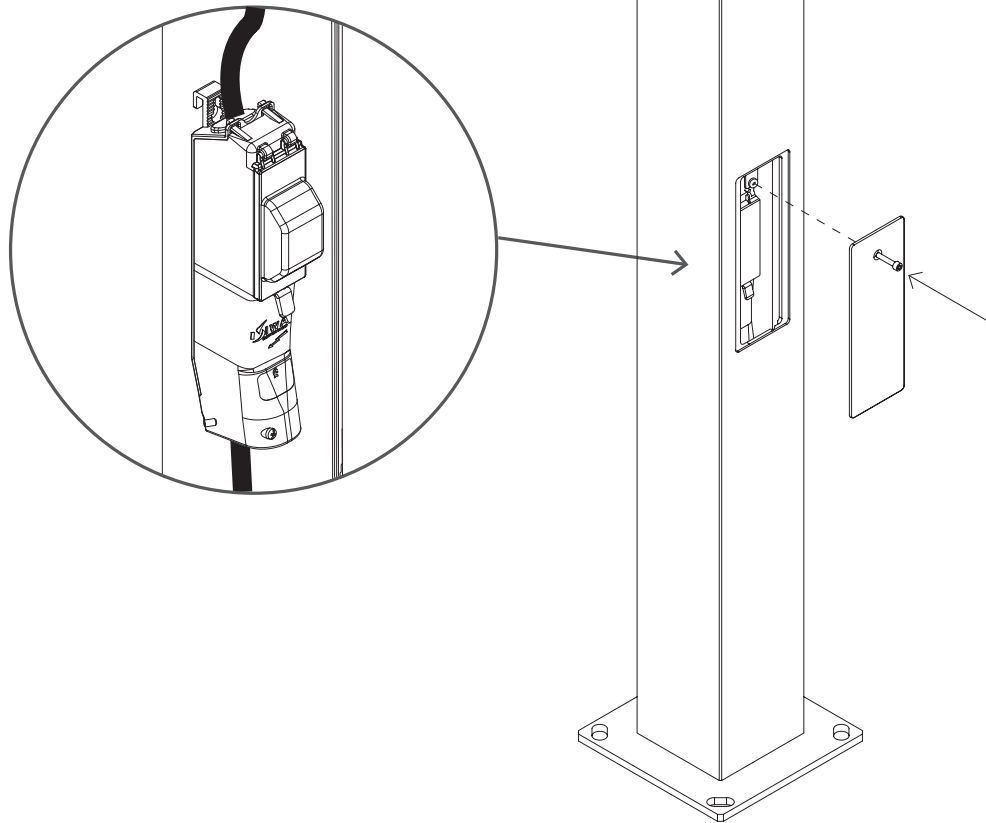


LINE = BROWN

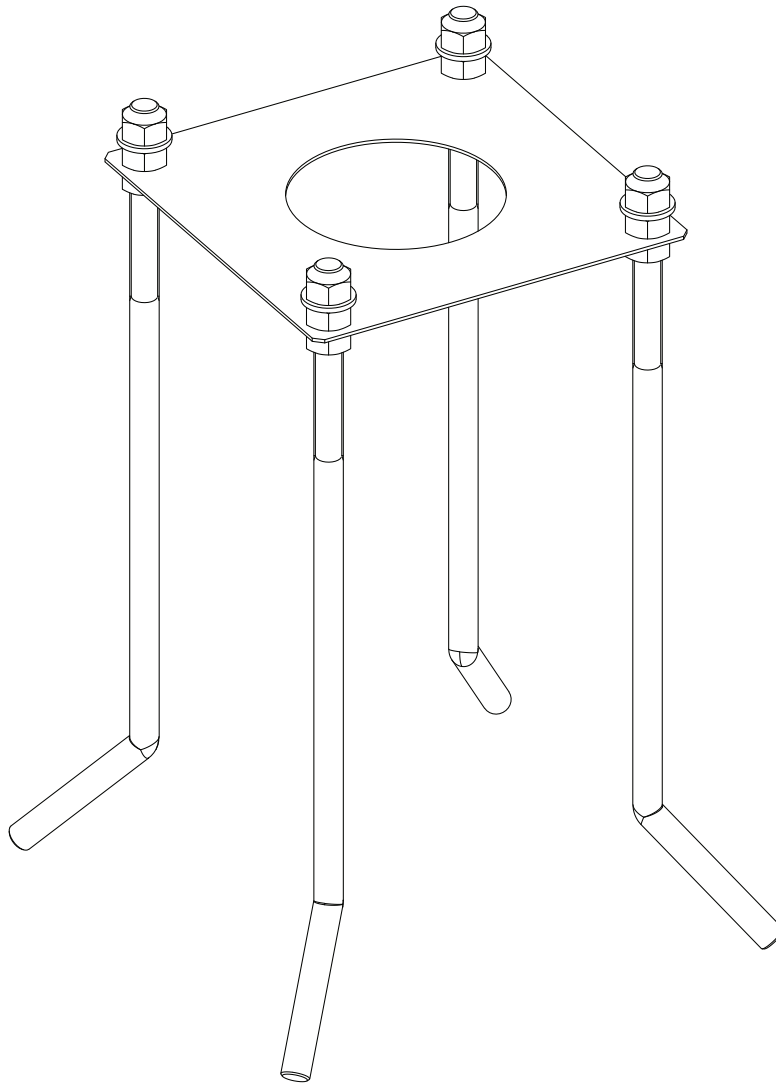
NEUTRAL = BLUE

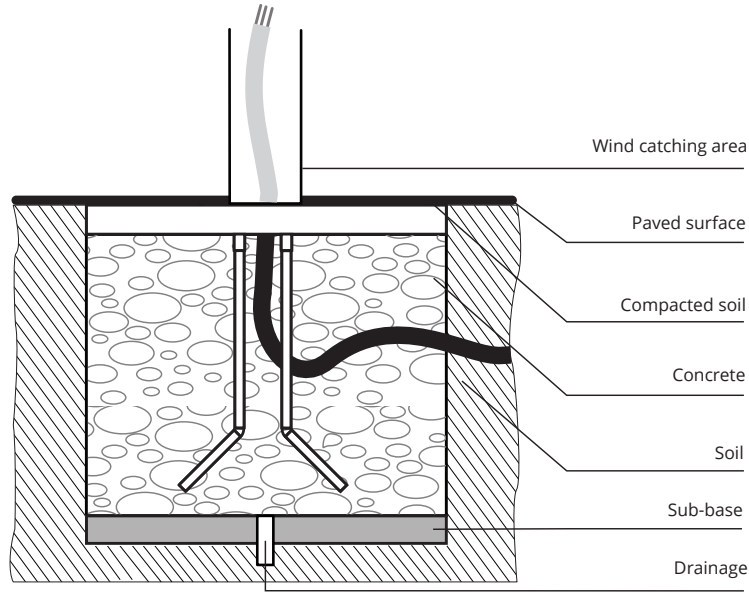
DA1 = GREY

DA2 = BLACK

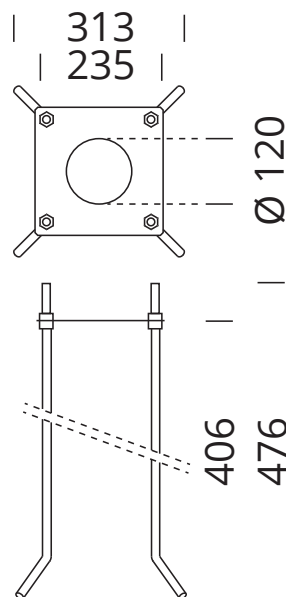


TIE-ROD



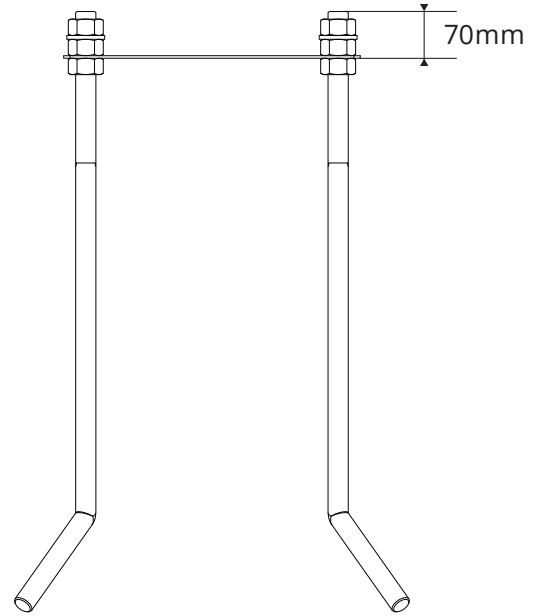
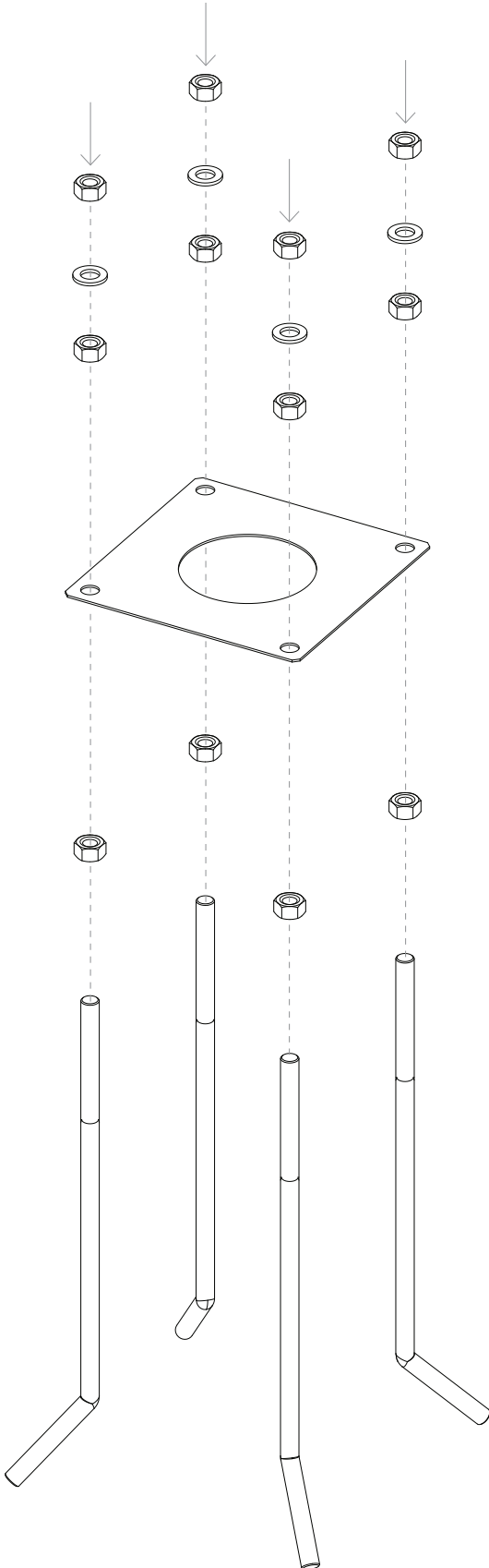


	Depth	Size of concrete plinth	Vref0	Type of terrain
T4 1200	450 h	400 x 400 mm	25 m/s	compact gravel
T4 2200	450 h	550 x 550 mm	25 m/s	compact gravel
T4 3000	450 h	700 x 700 mm	25 m/s	compact gravel
T4 3600	450 h	750 x 750mm	25 m/s	compact gravel
TETRA PARCO	450 h	450 x 450 mm	25 m/s	compact gravel
TETRA PARCO	450 h	500 x 500 mm	25 m/s	compact gravel
TETRA PARCO	450 h	550 x 550 mm	25 m/s	compact gravel
TETRA PARCO	450 h	650 x 650 mm	25 m/s	compact gravel



T4 POST INSTALLATION GUIDE

ZANEEN®

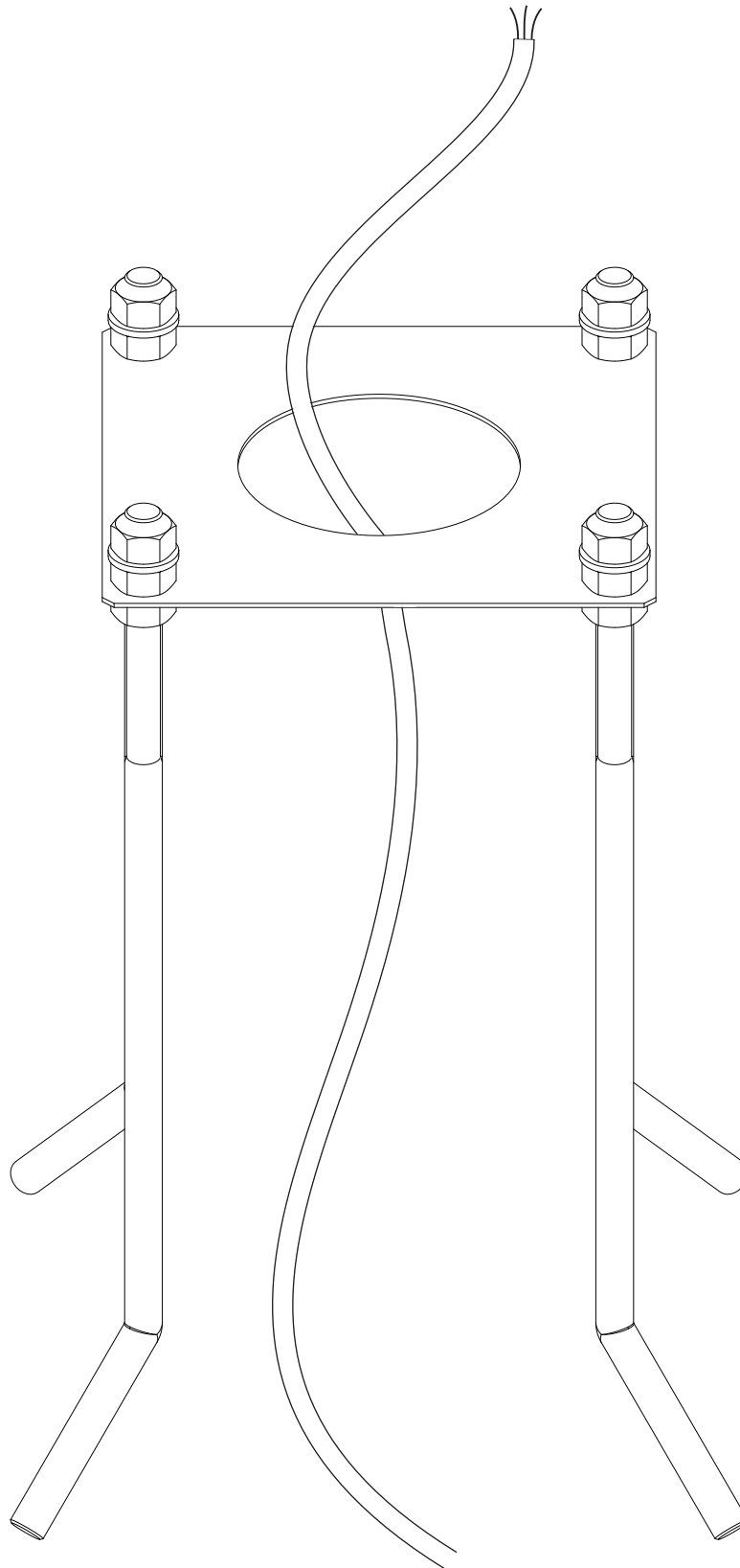


The recommended height of the visible tie rods above the base is 70mm. Installer has ability to install tie rods shorter as long as it does not affect the stability of the bollard.

If user has the preference to cut the tie rod (70mm), you must apply anti rust coating on the tie rod to prevent rusting.

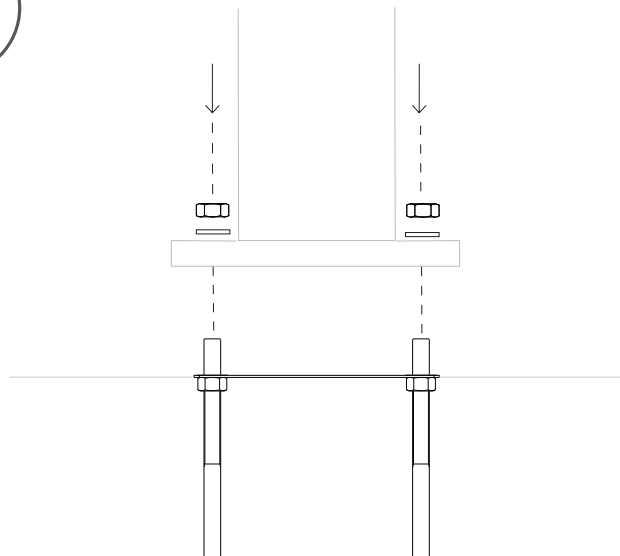
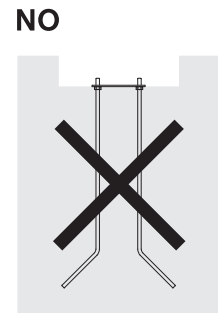
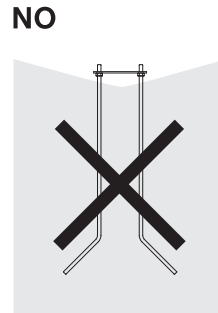
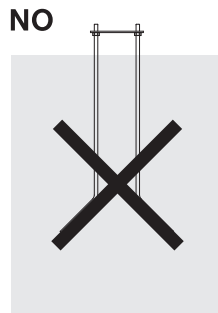
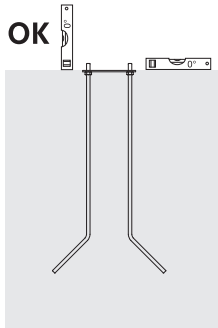
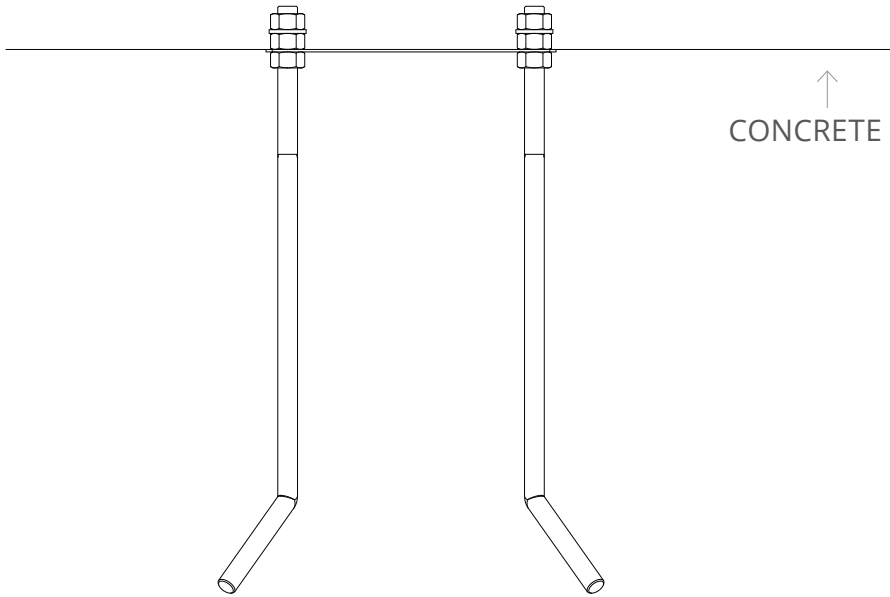
Minimum height of tie rod after it's cut is 3mm.

Accessory Nuts and Tie Rod Covers - Provided By Others

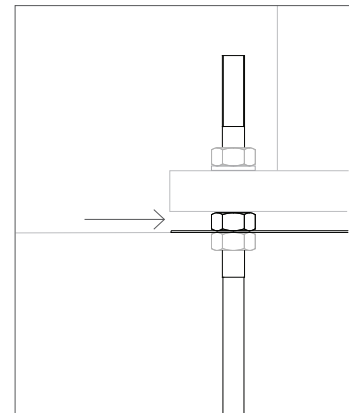


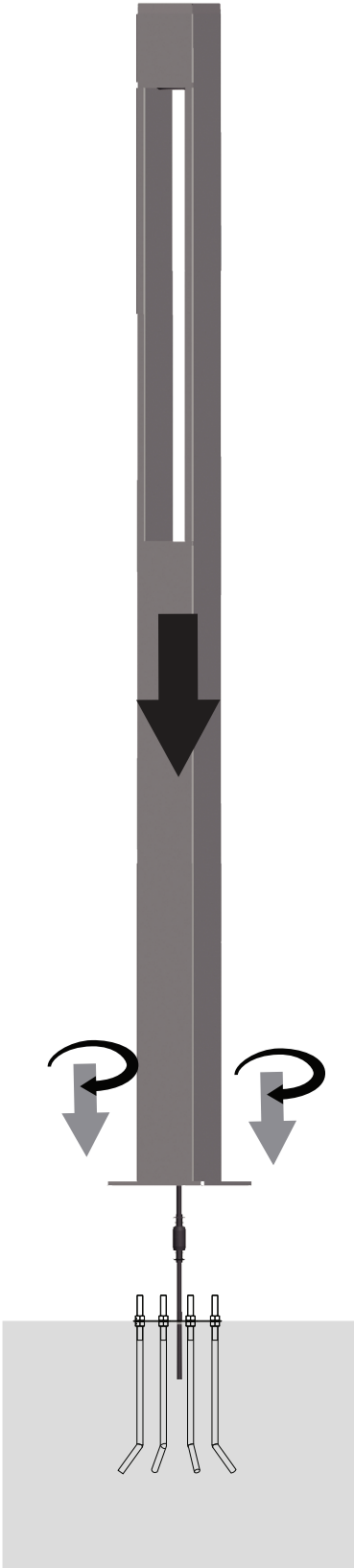
T4 POST INSTALLATION GUIDE

ZANEEN®



REGULATION





Post Sales Support

HQ 1-800-388-3382 support@zaneen.com



EN

- Installation and electrification must be carried out by a qualified electrician, only.
- Observe all relevant building codes and regulations.
- Prior to installation or repair: disconnect power; it is the installer's responsibility to ensure for all electrical, mechanical and thermal compatibility.
- The LED light source contained in this fixture shall only be replaced by Zaneen, or a person approved by Zaneen.
- Recommendations: Keep the instruction sheet(s) in the event of maintenance and/or disassembly.

Access detailed spec sheets from www.zaneen.com

FR

- L'installation et l'électrification doivent être effectuées uniquement par un électricien qualifié.
- Respectez tous les codes du bâtiment et réglementations en vigueur.
- Avant l'installation ou la réparation: débranchez l'alimentation électrique; Il incombe à l'installateur des'assurer de la compatibilité électrique, mécanique et thermique.
- La source de lumière LED contenue dans ce luminaire ne doit être remplacée que par Zaneen, ou une personne approuvée par Zaneen.
- Recommandations: Conservez la (les) fiche (s) d'instructions en cas de maintenance et / ou de démontage

Accéder aux fiches techniques détaillées sur www.zaneen.com

Disclaimer: Applicable only when Zaneen's lighting fixtures are properly installed on correct line voltage, and under normal conditions of use.

Zaneen Warranties are itemized below:

- All products to be free from defect in materials and workmanship: 1 Year (12 months) Limited Warranty from the invoice date (excluding lamps)
- LED engines and Power Supplies: 5 Years Limited Warranty from the invoice date.
- Transformers and Ballast Warranty: 3 years Limited Warranty from the invoice date.
- Purchaser's sole recourse after the warranty period, for defective power supplies, ballasts or other components manufactured by a third party, is against such third-party manufacturer.

Warranty claims regarding the product(s) must be submitted in writing within 30 days, of discovery of the defect.

Zaneen uses only electrical components, which are produced by responsible manufacturers. Components that may fail in service within the warranty period, under normal use, will be replaced at no charge.

Zaneen will not assume labour or transportation charges in connection with replacement of such parts, nor for removal or re-installation of equipment or parts, nor for consequential damages or losses.

The warranty extended to Zaneen by the manufacturers of the electrical components is passed on to our customers.

At its option, Zaneen will repair or replace, any fixture defective as provided herein if such fixture is returned by the purchaser within the warranty period, provided Zaneen has issued a written "Return Goods Authorization". Such repair or replacement is the exclusive remedy against Zaneen and Zaneen is not responsible for damage of any sort whatsoever, including incidental and consequential damages or losses.

This warranty extends only to replacement defective fixtures or components and no allowance will be made for labour or transportation charges in connection with replacement of such parts, nor for removal or re-installation of equipment or parts unless specifically authorized in writing by Zaneen prior to any work being performed.

This warranty only applies when the products are installed in applications in which ambient temperatures are within normal temperatures and are operated within the electrical values shown on the LED driver label.

Zaneen Interior rated luminaries are not protected from environmental conditions, such as salt content from sea air. Therefore, any damages resulting from exposure to salt air, or other harmful environmental conditions, will not be covered under Zaneen Warranty.

Zaneen will not be responsible under warranty for any failure of the product that results directly or indirectly from improper installation and/or external causes such as: acts of nature, physical damage, and exposure to adverse or hazardous chemicals or other substances, use of harsh cleaning agent or harsh chemicals.

Warranty for any substantial deterioration in the product finish caused by failure to clean, inspect or maintain the finish of the product. The end user is responsible for the structural integrity of existing foundations, anchorages, or structures and all consequences arising from their use.

Zaneen will not be responsible under warranty for any failure of the product that results directly or indirectly from improper installation and/or external causes such as: acts of nature, physical damage, and exposure to adverse or hazardous chemicals or other substances, use of harsh cleaning agent or harsh chemicals.

The end user is responsible for the structural integrity of existing foundations, anchorages, or structures and all consequences arising from their use.