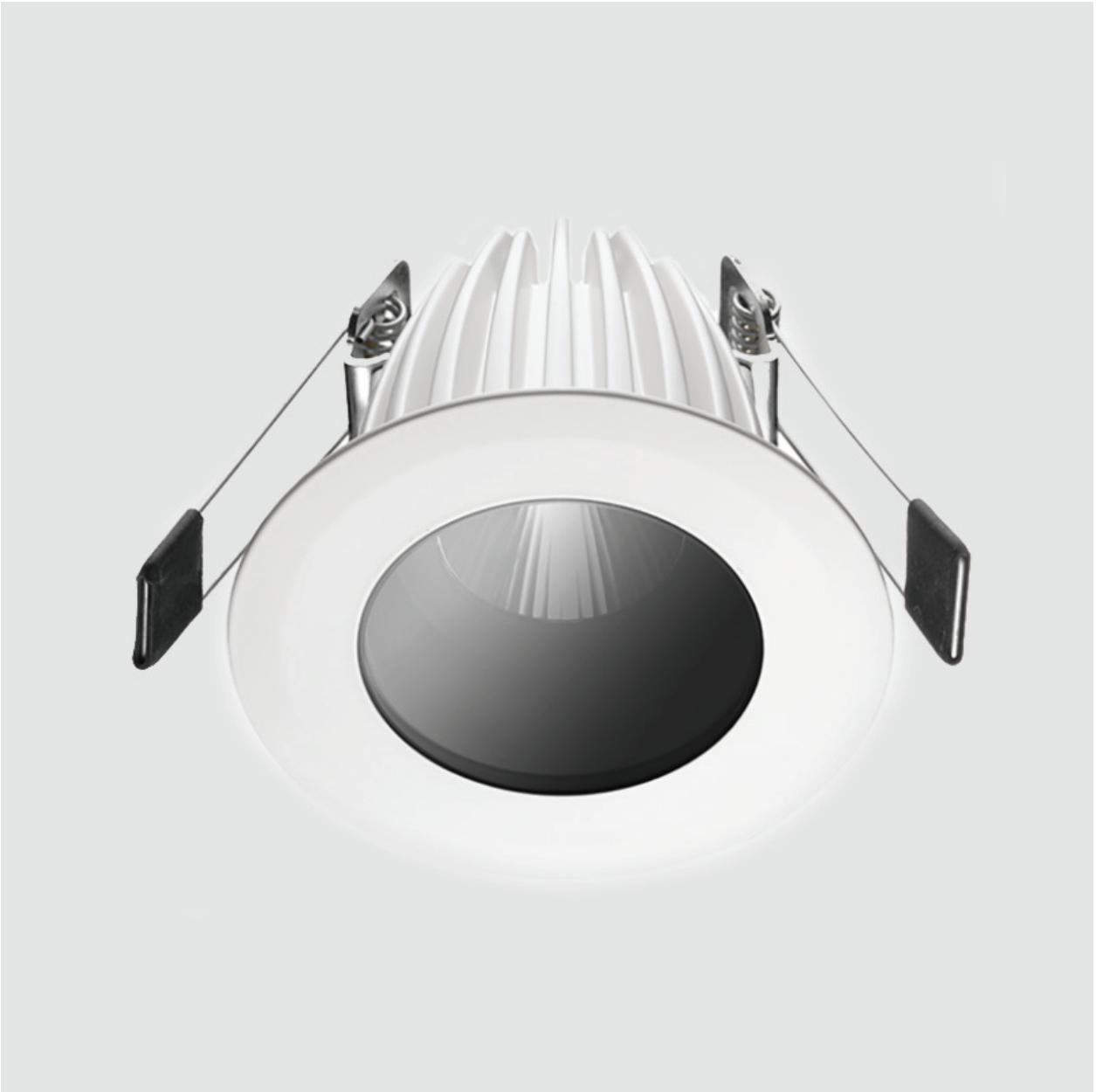




IP 65





STOUT

Stout is a professional fixed downlight LED luminaire, with a deep recessed COB LED light source and features high efficiency reflector technology for excellent glare control and uniformity.

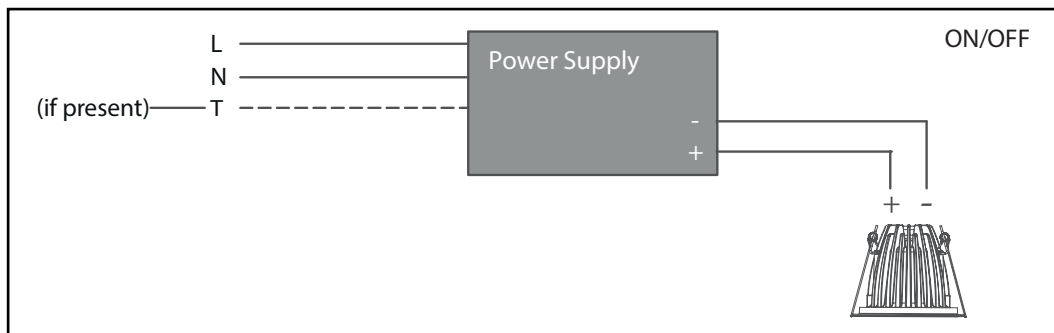
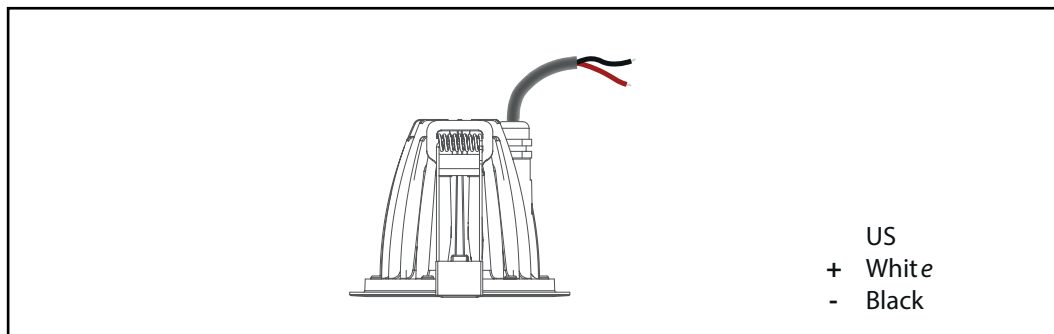
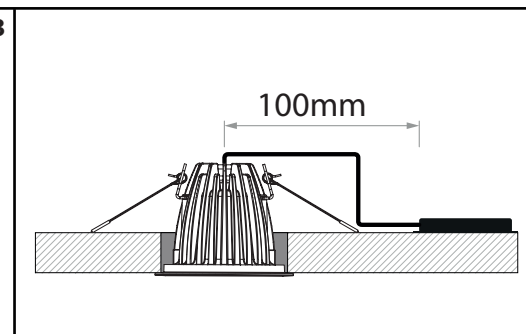
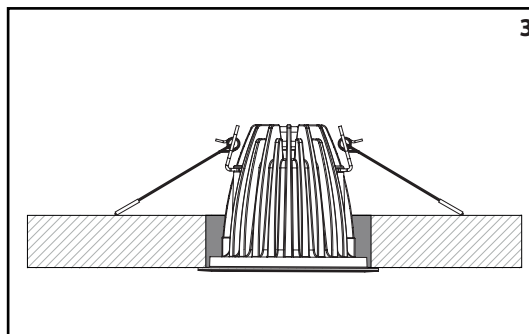
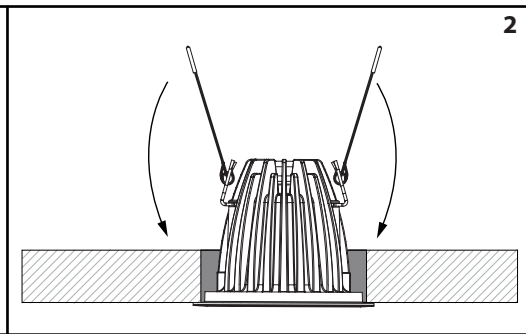
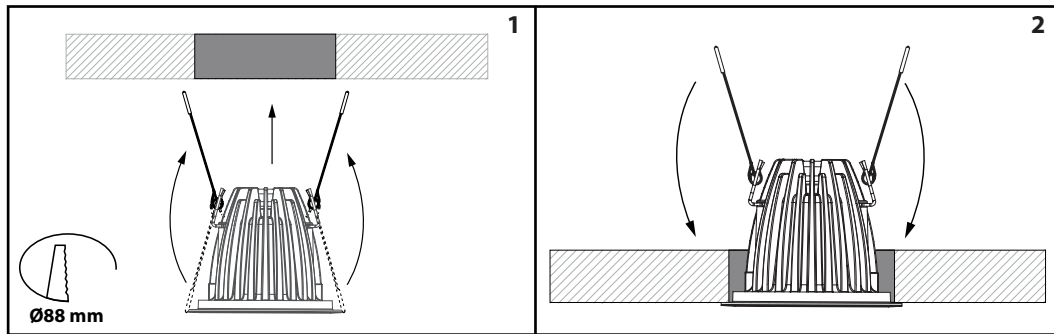
Compatible PSUs available for Stout allow for DALI or 1-10V dimming.

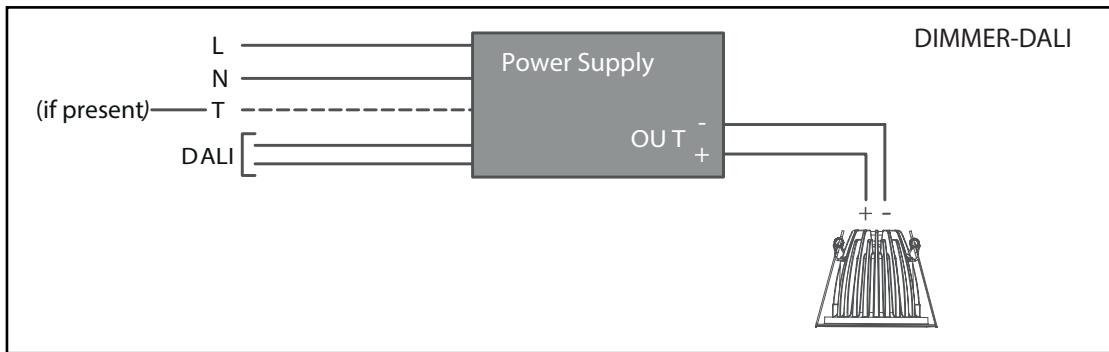
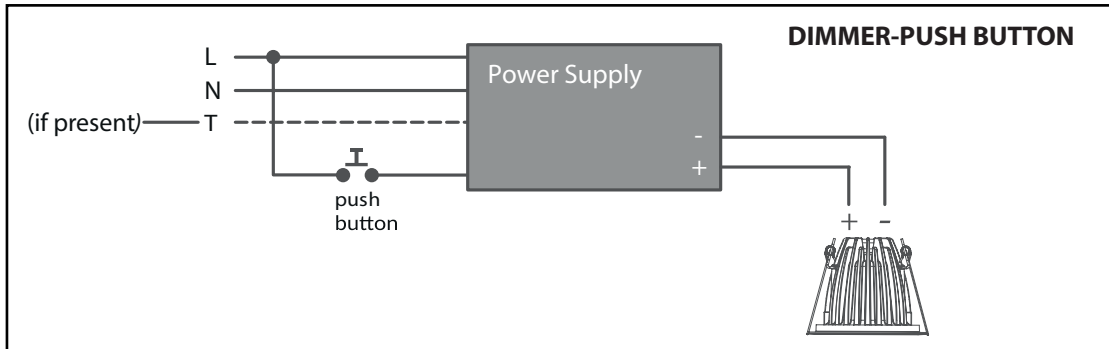
Factory-sealed options include a honeycomb louvre for glare control, and a micro-prismatic diffuser for softer luminance transitions.

NOTE!



This fixture is guaranteed only if installed with constant current Zaneen drivers.





TECHNICAL DATA / SCHEDA PRODOTTO:

Body:	Die-cast aluminium	Corpo:	Pressofusione di alluminio
Finishes:	White RAL 9003 / Black RAL 9005	Finiture:	Bianco RAL 9003 / Nero RAL 9005
Installation:	Fixing springs	Fissaggio:	Molle di fissaggio
Power Supply Cables:	30 cm PVC + PVC 2x0.5 mm ²	Cavi di alimentazione:	30 cm PVC + PVC 2x0,5 mm ²
Power Supply:	Constant current 500mA Max	Alimentazione:	Corrente costante 500mA Max
Power Consumption:	12.9 Watt Max	Potenza assorbita:	12,9 Watt Max
CRI:	>90 (Dim to warm 95)	CRI:	>90 (Dim to warm 95)
Bin selection:	Binning free 2 step MacAdam's	Selezione Bin:	Binning free 2 step MacAdam's
Lumen Output:	1154 / Dim to warm 1150 lm	Flusso luminoso:	1154 / Dim to warm 1150 lm
Working Temperature:	-20°C + 45°C	Temperatura di funzionamento:	-20°C + 45°C
IP Rating:	IP65	Grado di protezione:	IP65
Insulation Class:	III	Classe di isolamento:	III
Protection impact IK	07	Protezione impatto IK	07
Weight:	365 g	Peso:	365 g
Optics:	20° / 32° / 40°	Ottiche:	20° / 32° / 40°
Energy Rating:	A++	Classe di consumo energetico:	A++
Colour Temperature:	2700K / 3000K / 4000K / Dim to warm (3000K - 1800K)	Temperatura colore:	2700K / 3000K / 4000K / Dim to warm (3000K - 1800K)
Lifetime LED:	100000 hrs	Vita media LED:	100000 hrs
Photo biological risk:	RG0 / RG1	Rischio fotobiologico:	RG0 / RG1
Max temperature (Ta 25°C):	65°C	Temperatura massima (Ta 25°C):	65°C

WARNING! /ATTENZIONE!



Do not cover the light fixture, make sure it is guaranteed the cooling of the lamp.
Non coprire l'apparecchio, assicurarsi che sia garantito il corretto raffreddamento della lampada.

Never connect or disconnect the fixture when the driver is powered.
Durante la connessione e la disconnessione dell'apparecchio assicurarsi che l'alimentatore non sia alimentato.

The safety of the fitting is guaranteed by the correct use of the following instructions. It is therefore necessary to keep them.
La sicurezza dell'apparecchio é garantita dall'osservanza di queste istruzioni pertanto si raccomanda di conservarle.

When carrying out all assembly, maintenance and fixture replacement operations, make sure that the power is off.
Tutte le operazioni di montaggio, manutenzione e sostituzione dell'apparecchio, vanno eseguite assicurandosi che la rete di alimentazione sia disinserita.

The fitting should be installed by qualified installers to comply with the HD 384 standards.
L'installazione deve essere effettuata da installatori qualificati nel pieno rispetto della normativa.

Post Sales Support

HQ 1-800-388-3382 support@zaneen.com



EN

- Installation and electrification must be carried out by a qualified electrician, only.
- Observe all relevant building codes and regulations.
- Prior to installation or repair: disconnect power; it is the installer's responsibility to ensure for all electrical, mechanical and thermal compatibility.
- The LED light source contained in this fixture shall only be replaced by Zaneen, or a person approved by Zaneen.
- Recommendations: Keep the instruction sheet(s) in the event of maintenance and/or disassembly.

Access detailed spec sheets from www.zaneen.com

FR

- L'installation et l'électrification doivent être effectuées uniquement par un électricien qualifié.
- Respectez tous les codes du bâtiment et réglementations en vigueur.
- Avant l'installation ou la réparation: débranchez l'alimentation électrique; Il incombe à l'installateur des'assurer de la compatibilité électrique, mécanique et thermique.
- La source de lumière LED contenue dans ce luminaire ne doit être remplacée que par Zaneen, ou une personne approuvée par Zaneen.
- Recommandations: Conservez la (les) fiche (s) d'instructions en cas de maintenance et / ou de démontage

Accéder aux fiches techniques détaillées sur www.zaneen.com

Disclaimer: Applicable only when Zaneen's lighting fixtures are properly installed on correct line voltage, and under normal conditions of use.

Zaneen Warranties are itemized below:

- All products to be free from defect in materials and workmanship: 1 Year (12 months) Limited Warranty from the invoice date (excluding lamps)
- LED engines and Power Supplies: 5 Years Limited Warranty from the invoice date.
- Transformers and Ballast Warranty: 3 years Limited Warranty from the invoice date.
- Purchaser's sole recourse after the warranty period, for defective power supplies, ballasts or other components manufactured by a third party, is against such third-party manufacturer.

Warranty claims regarding the product(s) must be submitted in writing within 30 days, of discovery of the defect.

Zaneen uses only electrical components, which are produced by responsible manufacturers. Components that may fail in service within the warranty period, under normal use, will be replaced at no charge.

Zaneen will not assume labour or transportation charges in connection with replacement of such parts, nor for removal or re-installation of equipment or parts, nor for consequential damages or losses.

The warranty extended to Zaneen by the manufacturers of the electrical components is passed on to our customers.

At its option, Zaneen will repair or replace, any fixture defective as provided herein if such fixture is returned by the purchaser within the warranty period, provided Zaneen has issued a written "Return Goods Authorization". Such repair or replacement is the exclusive remedy against Zaneen and Zaneen is not responsible for damage of any sort whatsoever, including incidental and consequential damages or losses.

This warranty extends only to replacement defective fixtures or components and no allowance will be made for labour or transportation charges in connection with replacement of such parts, nor for removal or re-installation of equipment or parts unless specifically authorized in writing by Zaneen prior to any work being performed.

This warranty only applies when the products are installed in applications in which ambient temperatures are within normal temperatures and are operated within the electrical values shown on the LED driver label.

Zaneen Interior rated luminaries are not protected from environmental conditions, such as salt content from sea air. Therefore, any damages resulting from exposure to salt air, or other harmful environmental conditions, will not be covered under Zaneen Warranty.

Zaneen will not be responsible under warranty for any failure of the product that results directly or indirectly from improper installation and/or external causes such as: acts of nature, physical damage, and exposure to adverse or hazardous chemicals or other substances, use of harsh cleaning agent or harsh chemicals.

Warranty for any substantial deterioration in the product finish caused by failure to clean, inspect or maintain the finish of the product. The end user is responsible for the structural integrity of existing foundations, anchorages, or structures and all consequences arising from their use.

Zaneen will not be responsible under warranty for any failure of the product that results directly or indirectly from improper installation and/or external causes such as: acts of nature, physical damage, and exposure to adverse or hazardous chemicals or other substances, use of harsh cleaning agent or harsh chemicals.

The end user is responsible for the structural integrity of existing foundations, anchorages, or structures and all consequences arising from their use.