



IP 66



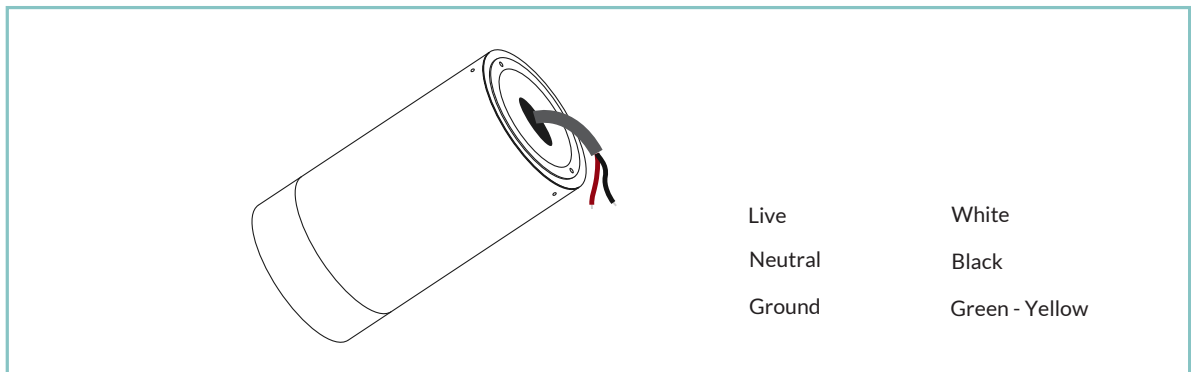
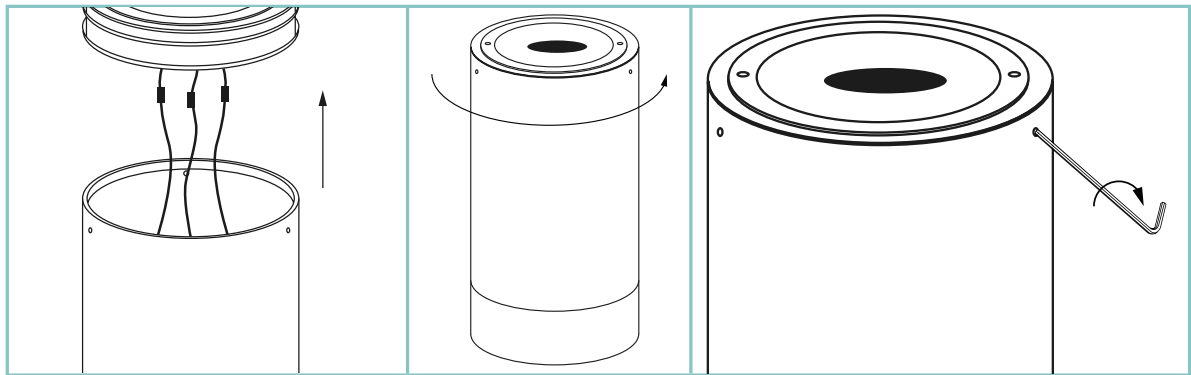
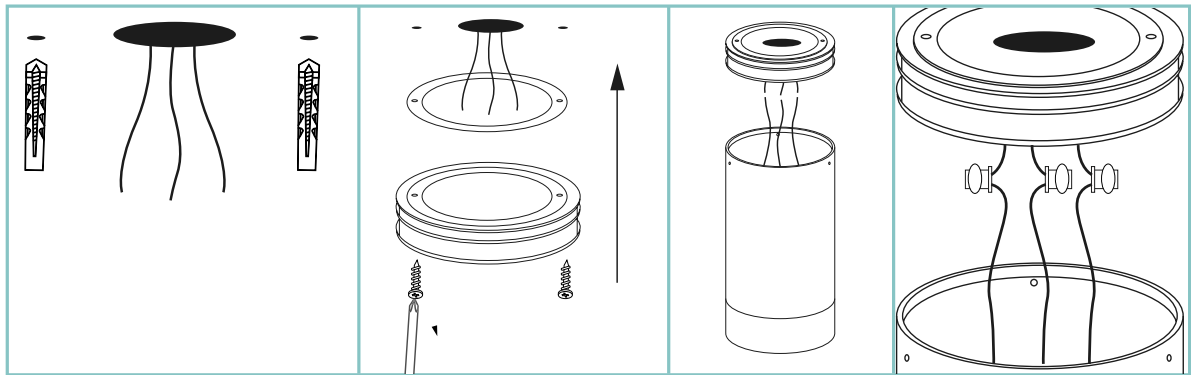
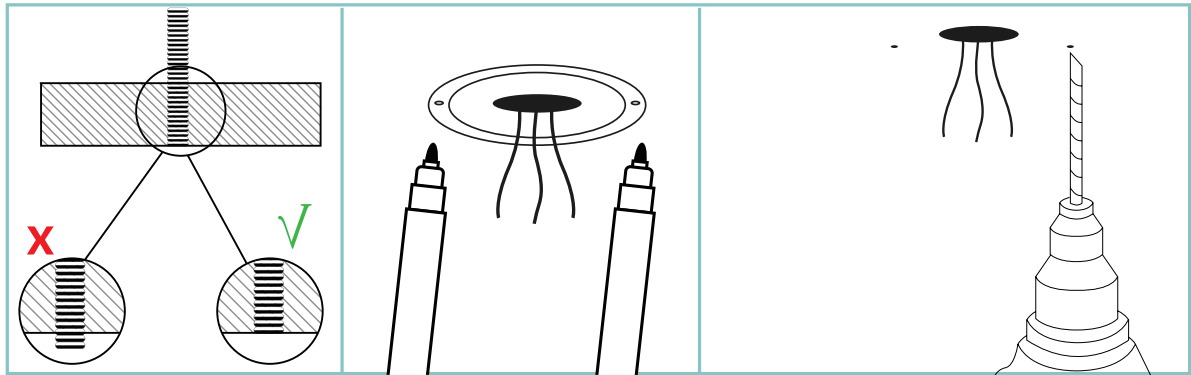
## DIVERSI 60 P HV

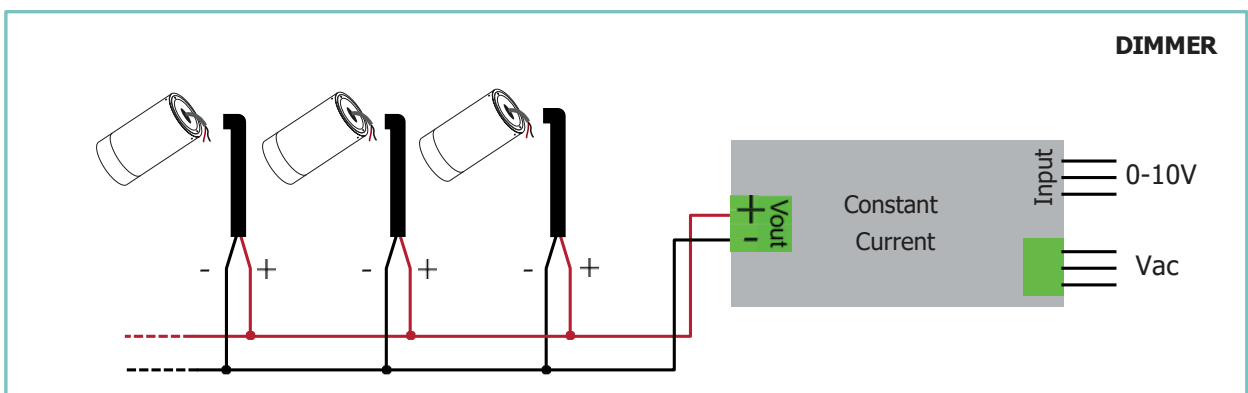
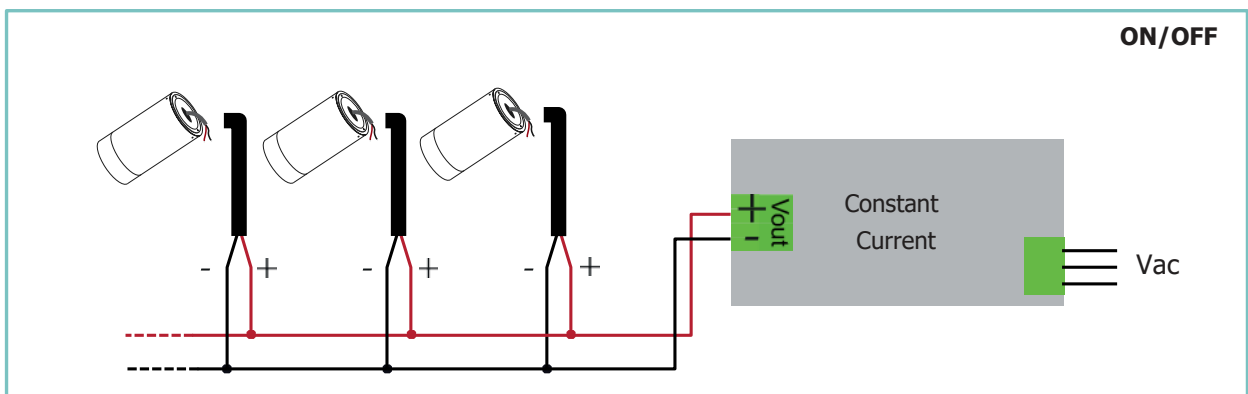
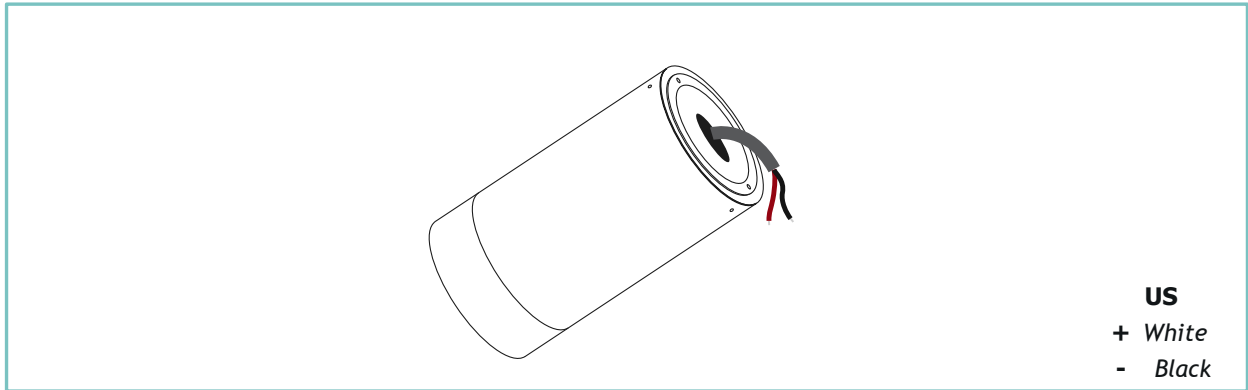
Diversi 60 P HV is a compact LED surface mounted outdoor downlight. Designed with an integrated on/off or trailing edge dimmable power supply the Diversi 60 P HV is perfectly suitable to be mounted on outdoor concrete ceilings of for example balconies and under canopies. Diversi 60 P HV offers a choice of three colour temperatures as standard (2700K, 3000K and 4000K) as well as RGBW, Dim to warm and Tunable white. Available with a choice of four beam angles (10°, 30°, 50° and elliptical) delivered through integration of Total Internal Reflection (TIR) optical technology, which ensure maximum efficacy and complete control of light distribution.

### NOTE!



This fixture is guaranteed only if installed with constant voltage Zaneen drivers.





## TECHNICAL DATA

Body:	Anodized aluminium 6026 / Machined aged brass
Glass:	Extra clear tempered glass 5 mm
Finishes:	Natural anodized / Black anodized / Aged solid brass
Installation:	Surface mounted
Power supply cables:	10 cm 3x1 mm <sup>2</sup>
Power supply:	120 50/60 Hz dimmable Triac
Power consumption:	9 Watt
CRI:	>90
Bin selection:	Binning free 2 step MacAdam's
Lumenoutput (source):	720 lm (3000K)
Operating temperature:	-20°C +50°C
IP rating:	IP66
Insulation class:	Class I
Impact resistance:	IK08
Weight:	570 g
Optics:	10° / 30° / 50° / 10°x45°
LED colour temperature:	2700K / 3000K / 4000K
Lifetime LED:	100000 hrs

### WARNING!



Do not cover the light fixture, make sure it is guaranteed the cooling of the lamp.

Never connect or disconnect the fixture when the driver is powered.

The safety of the fitting is guaranteed by the correct use of the following instructions. It is therefore necessary to keep them.

When carrying out all assembly, maintenance and fixture replacement operations, make sure that the power is off.

The fitting should be installed by qualified installers to comply with the HD 384 standards.

**IMPORTANT**

Post Sales Support HQ 1-800-388-3382 support@zaneen.com



EN

- Installation and electrification must be carried out by a qualified electrician, only.
- Observe all relevant building codes and regulations.
- Prior to installation or repair: disconnect power; it is the installer's responsibility to ensure for all electrical, mechanical and thermal compatibility.
- The LED light source contained in this fixture shall only be replaced by Zaneen, or a person approved by Zaneen.
- Recommendations: Keep the instruction sheet(s) in the event of maintenance and/or disassembly.

Access detailed specification sheets and the warranty policy on the product page at [zaneen.com](http://zaneen.com).

FR

- L'installation et l'électrification doivent être effectuées uniquement par un électricien qualifié.
- Respectez tous les codes du bâtiment et réglementations en vigueur.
- Avant l'installation ou la réparation: débranchez l'alimentation électrique; Il incombe à l'installateur des'assurer de la compatibilité électrique, mécanique et thermique.
- La source de lumière LED contenue dans ce luminaire ne doit être remplacée que par Zaneen, ou une personne approuvée par Zaneen.
- Recommandations: Conservez la (les) fiche (s) d'instructions en cas de maintenance et / ou de démontage

Accéder aux fiches techniques détaillées et à la politique de garantie sur la page du produit sur [zaneen.com](http://zaneen.com)